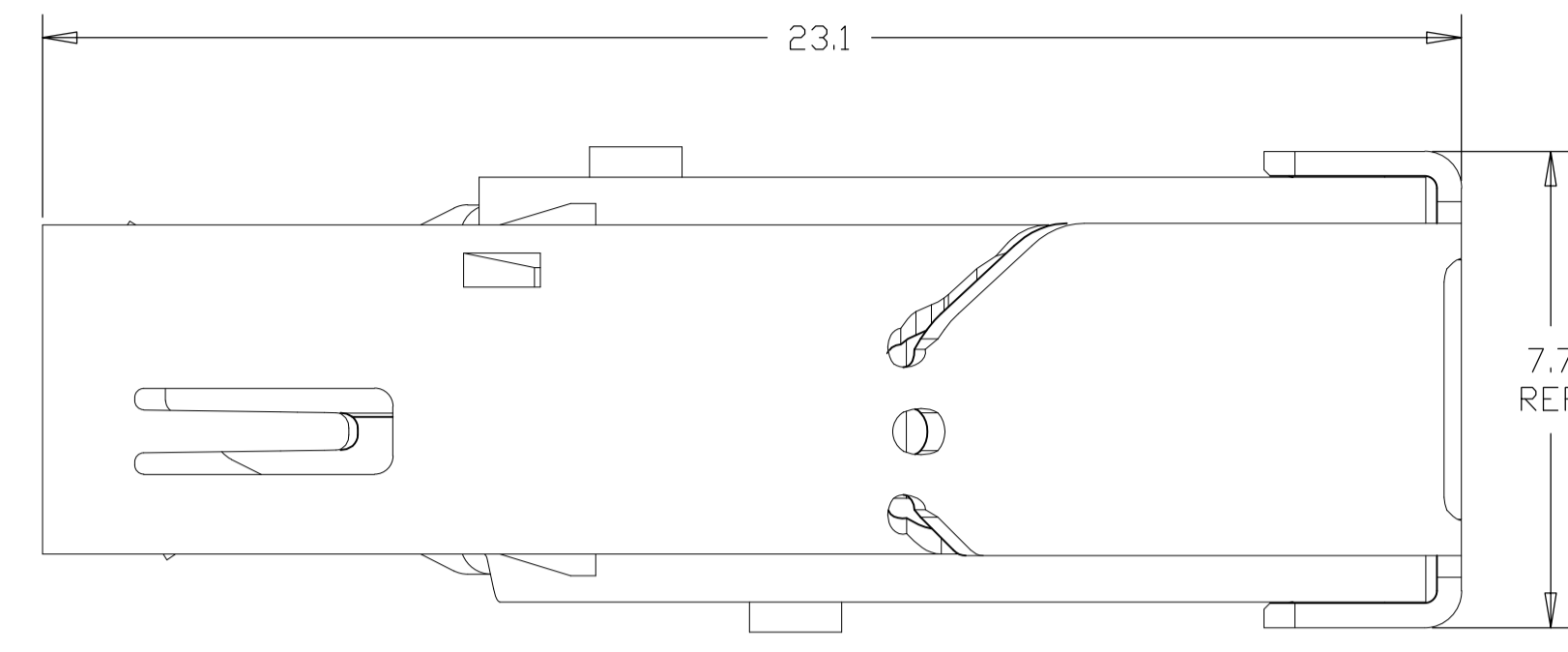
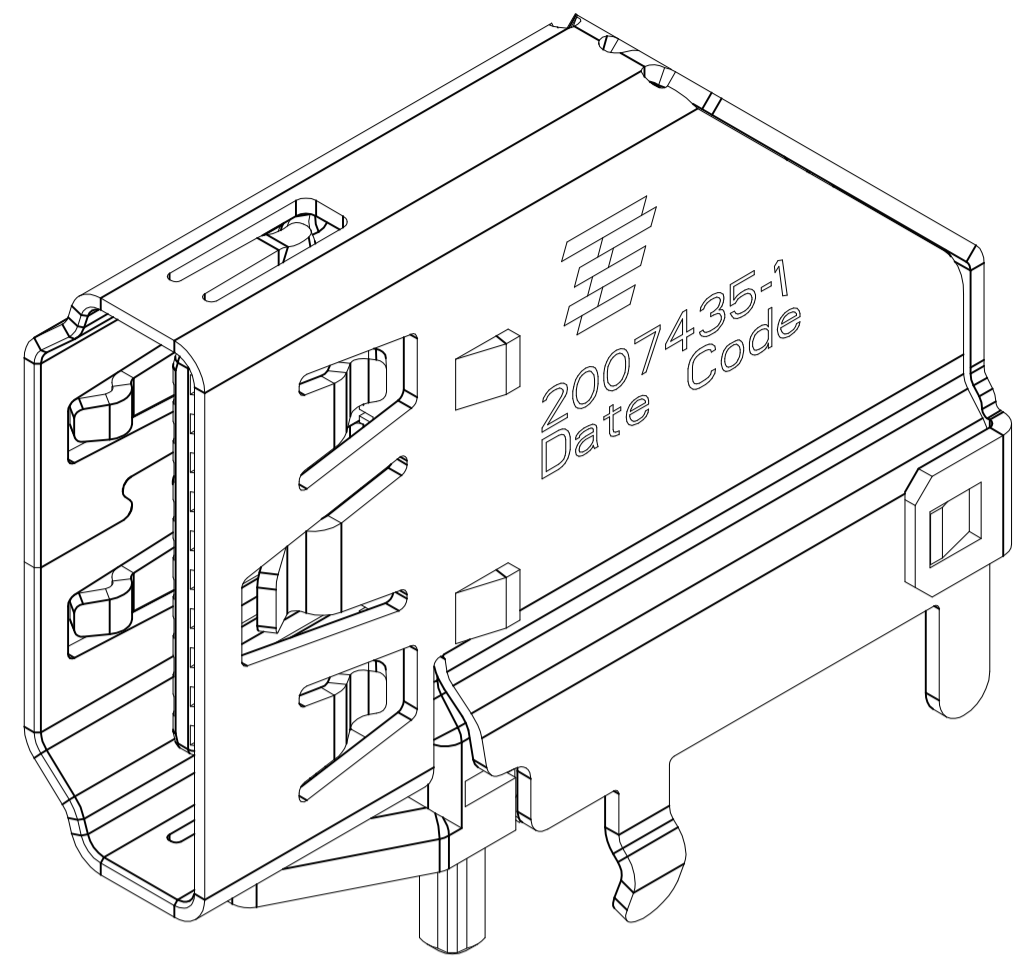
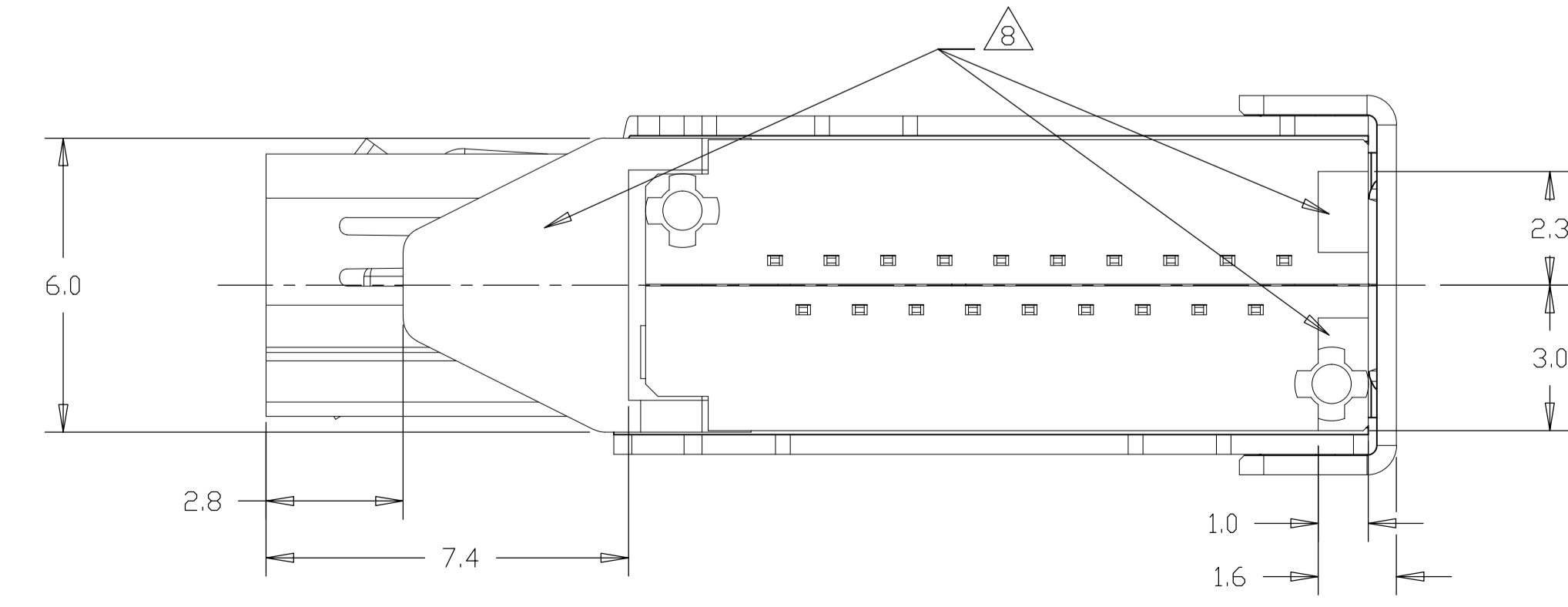
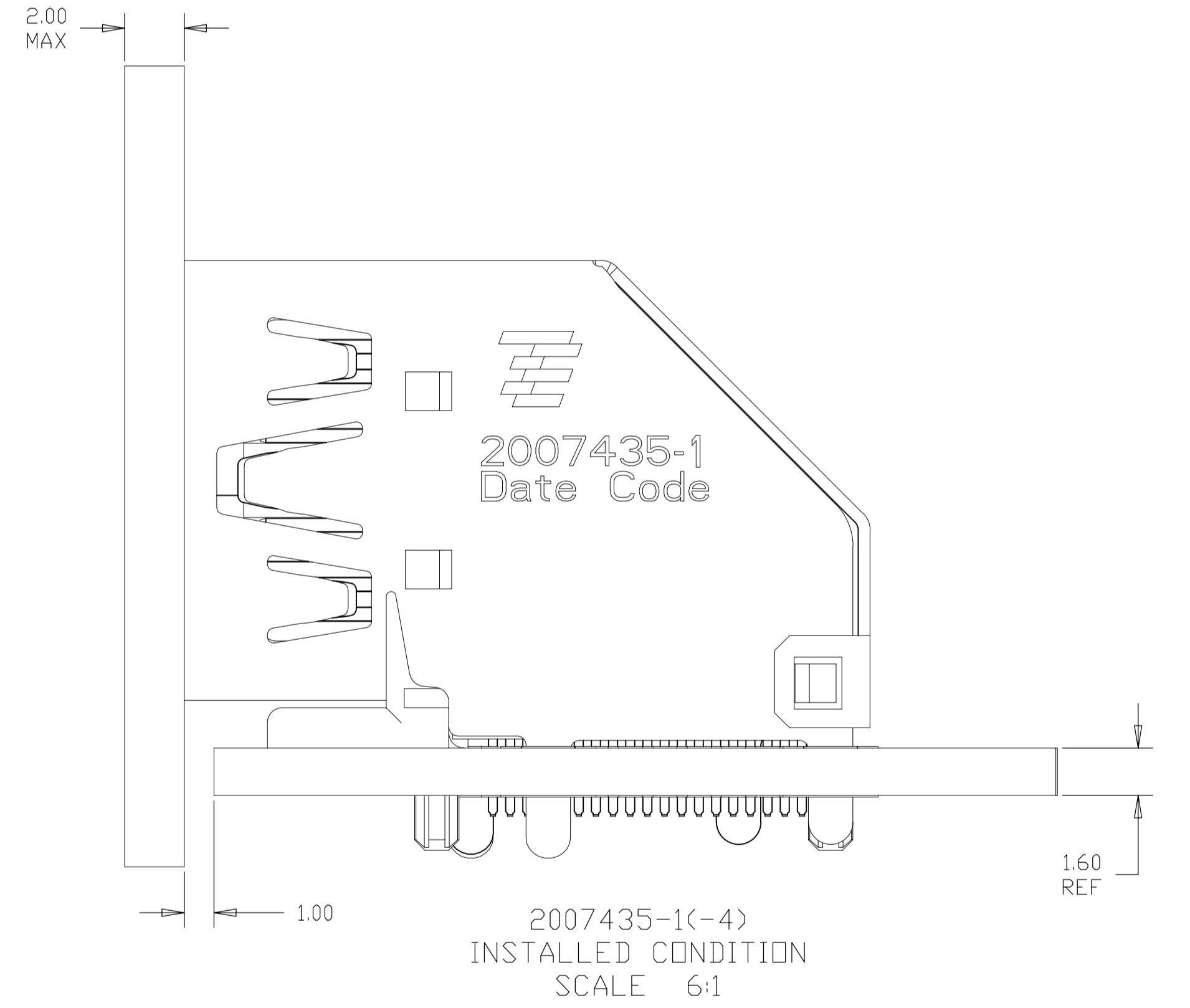
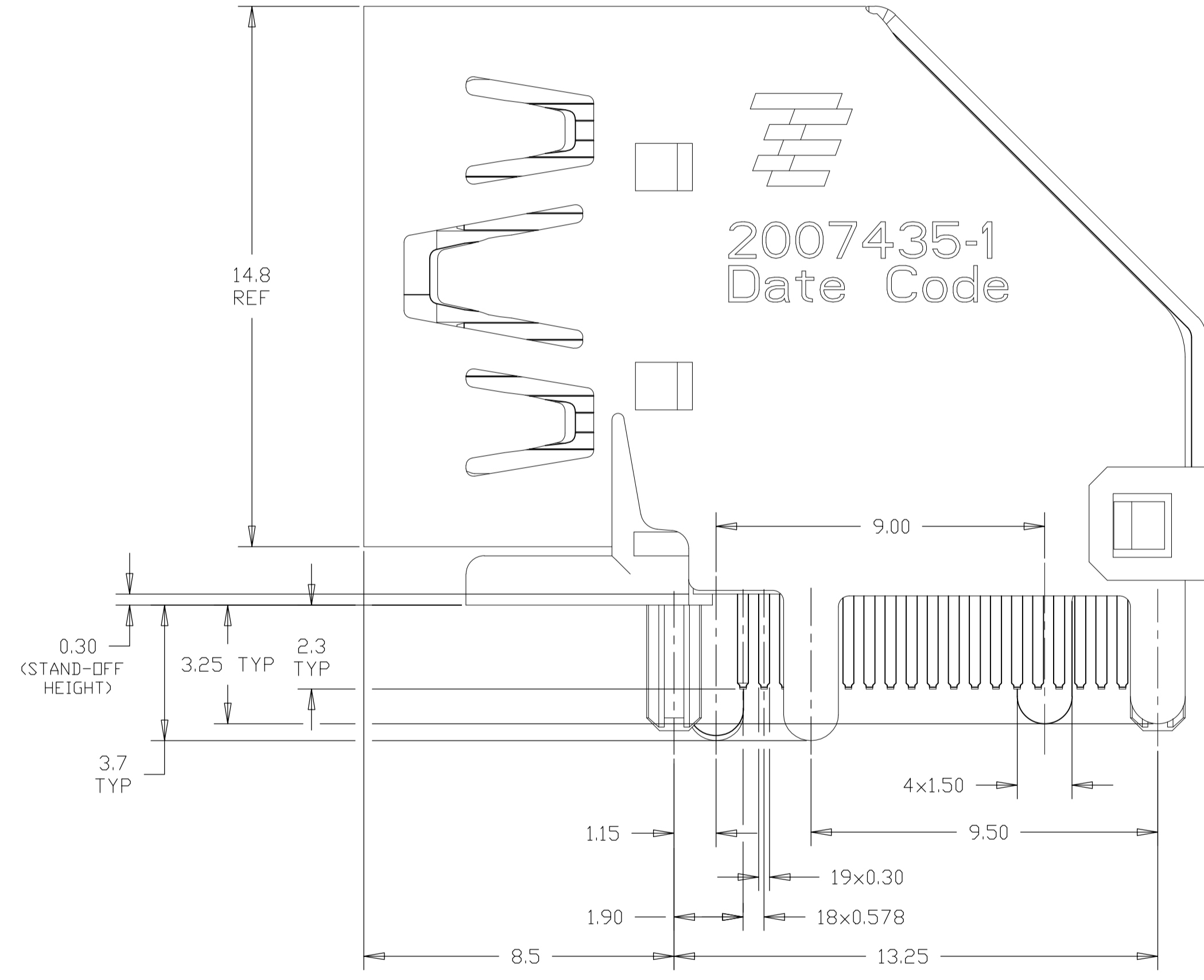
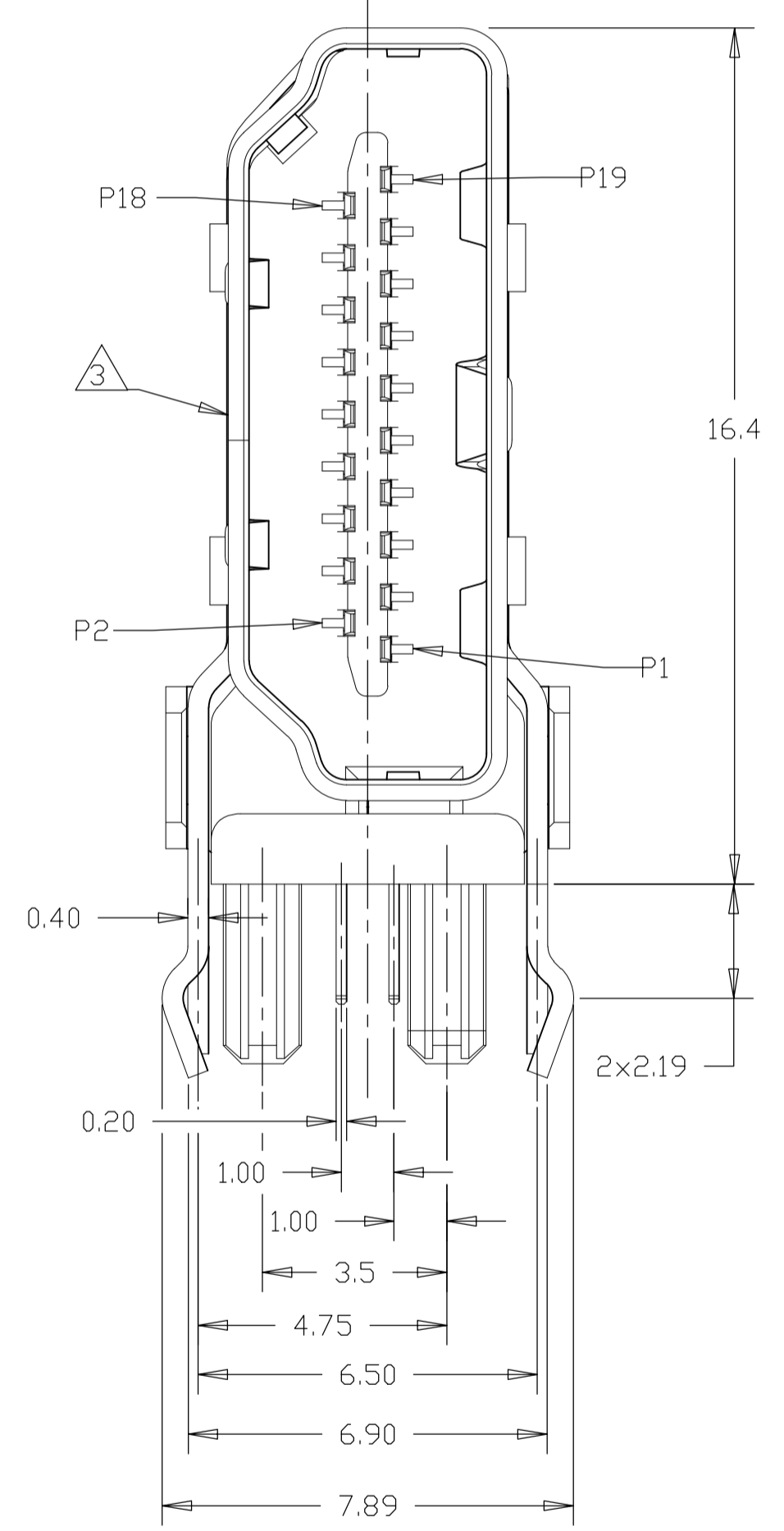


REVISONS		DATE	DMN	APVD
C	RELEASE PER ECR-10-024107	8/31/2010	FL	SY
C1	RELEASE PER ECR-11-016951	7/20/2011	JJ	SY
D2	RELEASED PER ECR-16-011711	4/10/2017	A.X	H.W



- 1 MATERIALS:
 HOUSING: HIGH TEMP THERMOPLASTIC, UL94V-0, BLACK, PBT.
 CONTACTS: COPPER ALLOY.
 SHIELD: STAINLESS STEEL.
- 2 FINISH:
 CONTACTS:
 MATING AREA: CONFORMS TO HDMI SPECIFICATION VERSION 1.3a TABLE 4-6 AND 4-7 (ELECTRICAL AND ENVIRONMENTAL PERFORMANCE), BASED ON EIA/ECA - 364-1000.01A (CONTROLLED ENVIRONMENT APPLICATIONS).
 SOLDER TAILS: TIN OVER NICKEL.
- 3 INTERFACE DIMENSIONS PER HDMI SPECIFICATION VERSION 1.3a.
4. WAVE SOLDER COMPATIBLE PER 109-202. CONDITION B. NO CLEAN FLUX IS RECOMMENDED.
- 5 THIS DIMENSION HAS AN ADDITIONAL 1.0 CLEARANCE OVER HDMI V1.3a SPECIFICATION MAXIMUM CABLE TYPE A PLUG HEIGHT.
- 6 REMOVE CAP IS RECOMMENDED AFTER WAVE SOLDER.
- 7 MATERIALS:
 HOUSING: HIGH TEMP THERMOPLASTIC, UL94V-0, BLACK, LCP.
 CONTACTS: COPPER ALLOY.
 SHIELD: STAINLESS STEEL.
- 8 STAND-OFF AREA.

2007435-1(-4)
 SCALE 6:1



EMBOSS TAPE	WITHOUT POLYIMIDE TAPE	WITHOUT KINK AND WITH CAP	0.38 μm	△	2.00	2007435-7
EMBOSS TAPE	WITH POLYIMIDE TAPE	WITHOUT KINK AND WITHOUT CAP	0.38 μm	△	2.00	2007435-6
TRAY	WITHOUT POLYIMIDE TAPE	WITH KINK AND WITH CAP	0.38 μm	△	1.60	2007435-5
		WITH KINK AND WITHOUT CAP	0.76 μm	△	1.60	2007435-4
		WITHOUT KINK AND WITH CAP	0.38 μm	△	1.60	2007435-3
		WITHOUT KINK AND WITHOUT CAP	0.38 μm	△	2.40	2007435-2
PACKAGE		WITH KINK AND WITHOUT CAP	0.38 μm	△	1.60	2007435-1

THIS DRAWING IS A CONTROLLED DOCUMENT.

Francis Lee 31AUG2010
 Martin Li 31AUG2010
 Steven Yao 31AUG2010

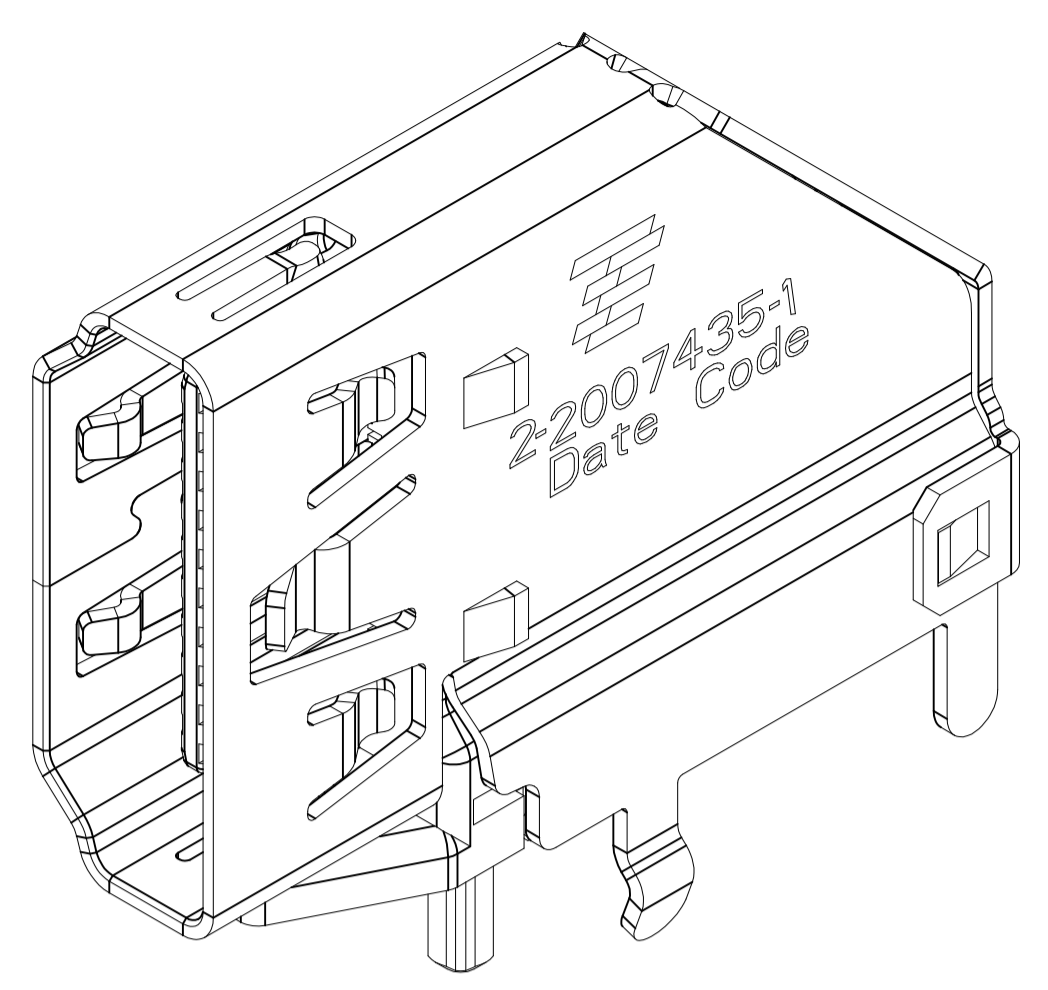
STE TE Connectivity

HDMI FLAG CONNECTOR ASSEMBLY

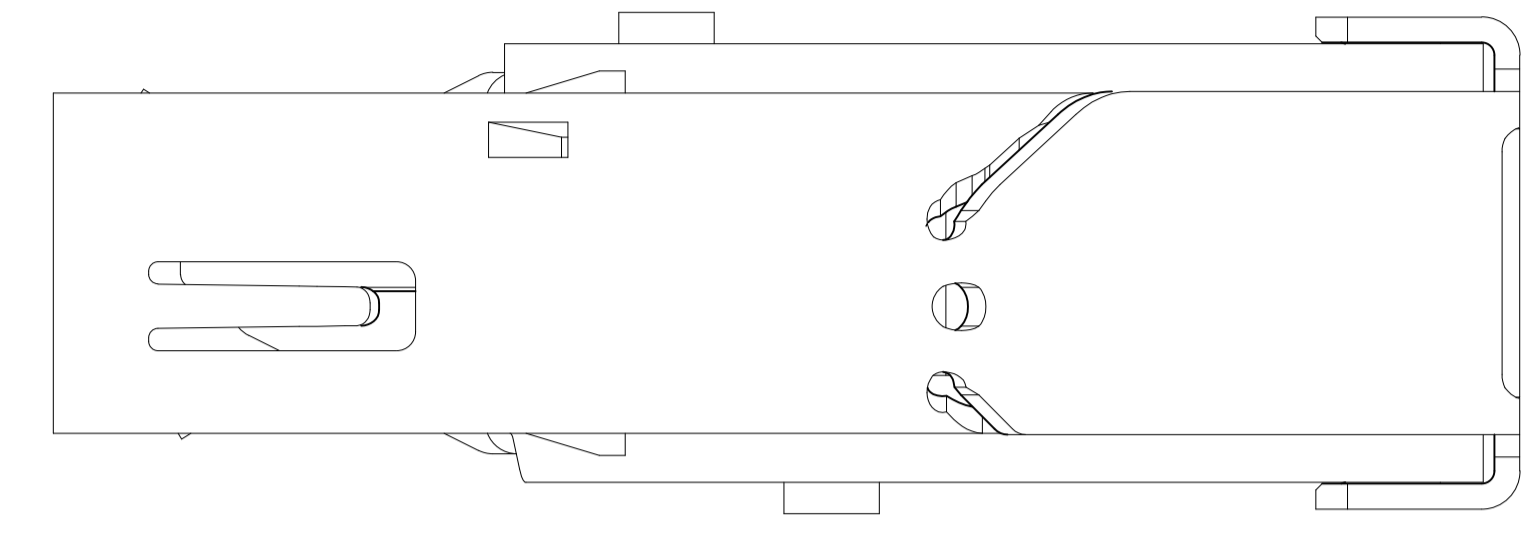
108-60079

SCALE 8:1 SHEET 1 OF 10 REV D2

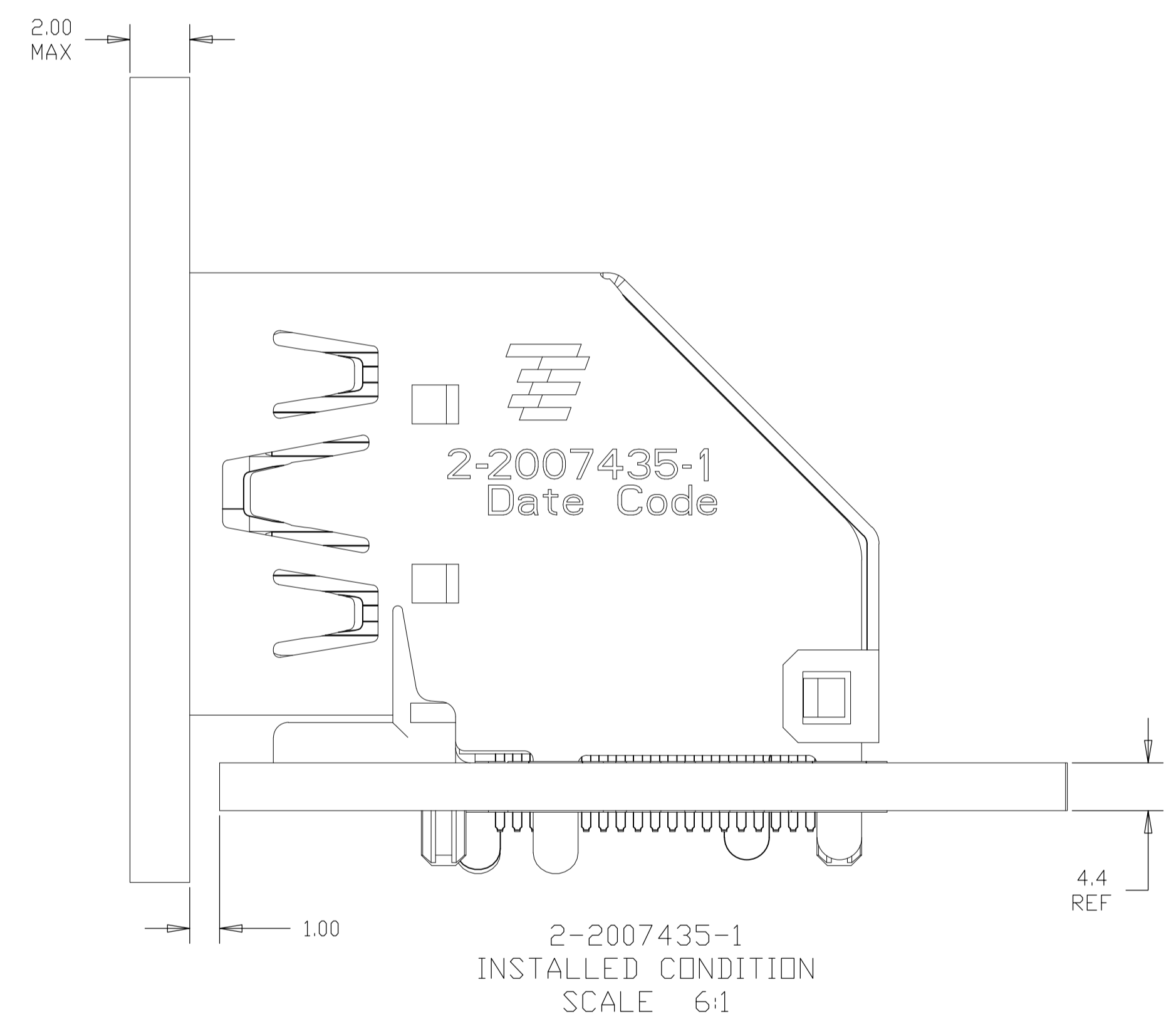
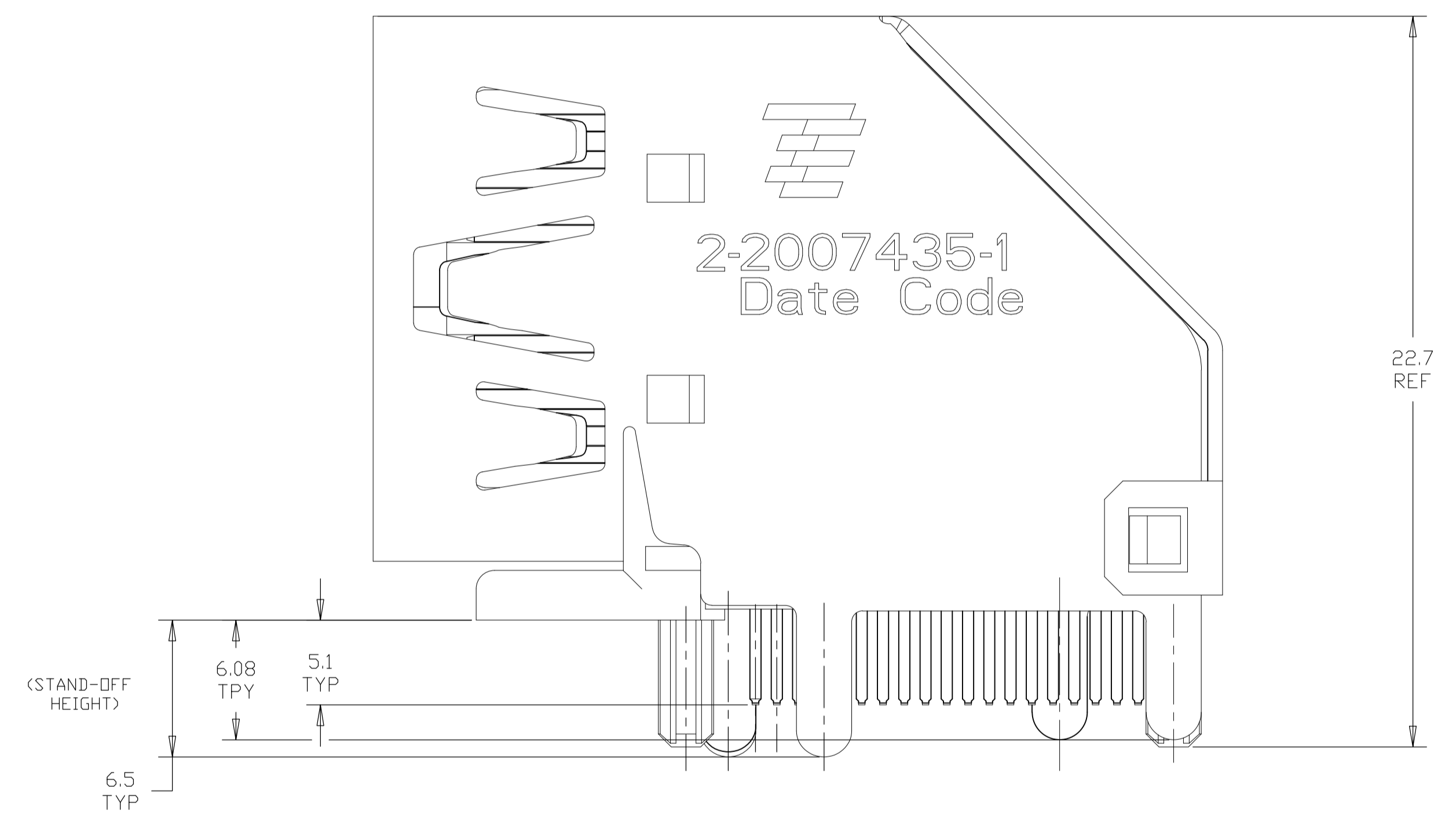
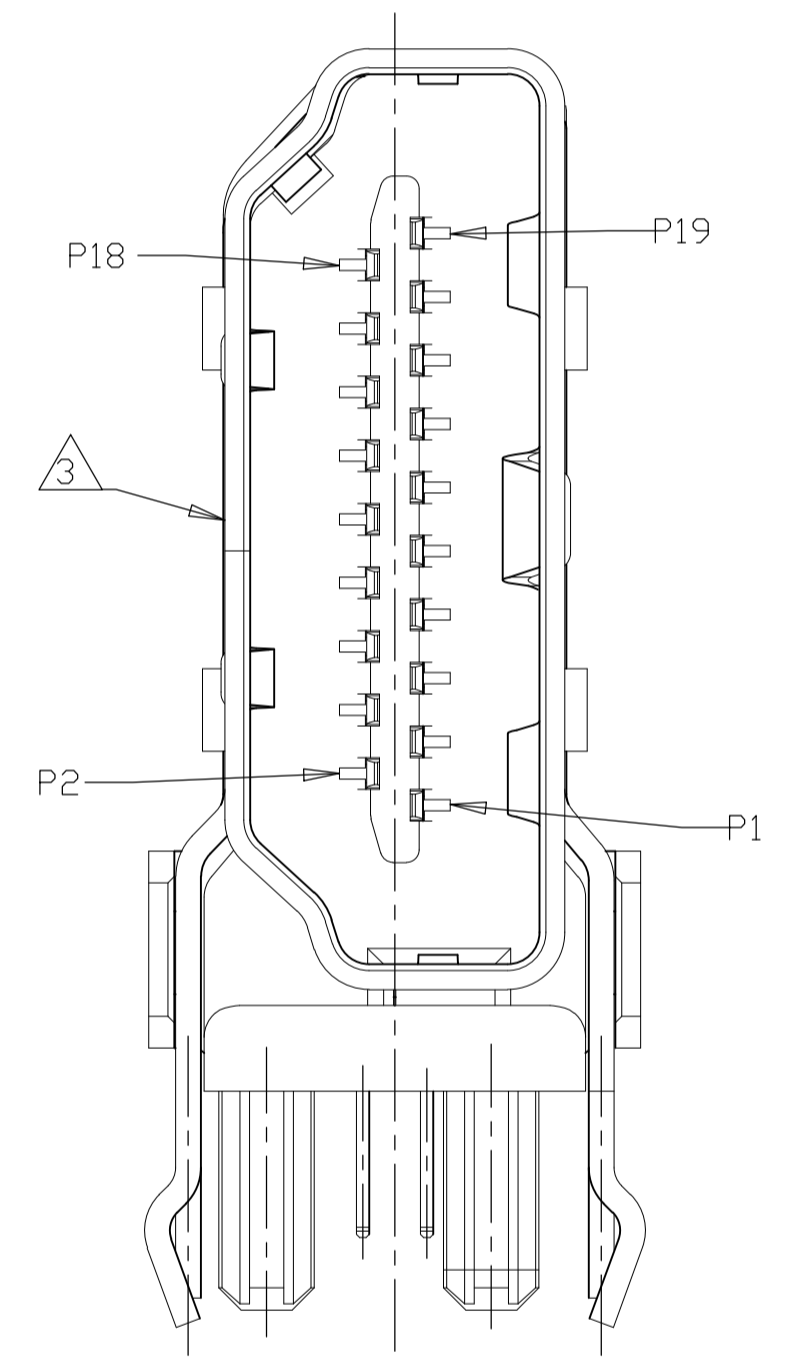
LOC		DIST		REVISIONS			
NO	DATE	BY	CHK	DESCRIPTION	DATE	OWN	APPD
-	-	-	-	SEE SHEET 1	-	-	-



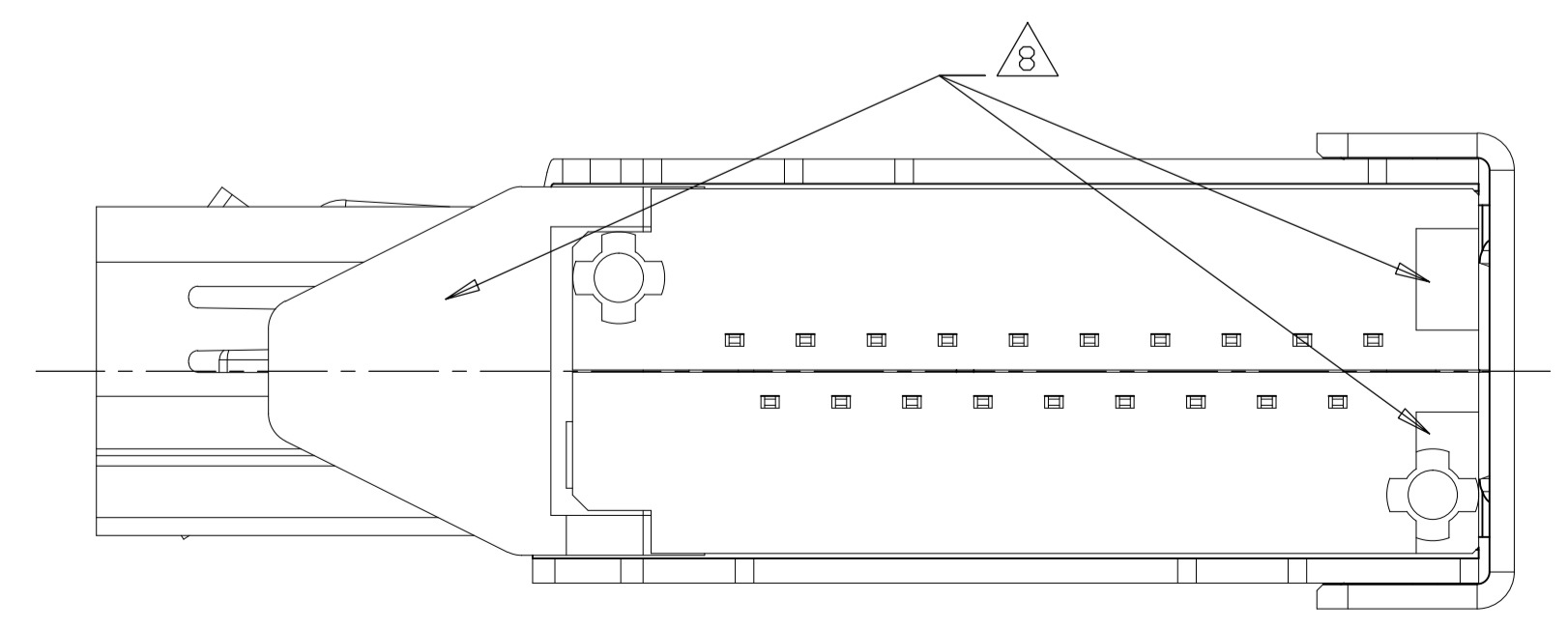
2-2007435-1 WITHOUT BOARD LOCK,
UNMARKED DIMENSIONS SAME AS 2007435-1
SCALE 6:1



- 1 MATERIALS:
HOUSING: HIGH TEMP THERMOPLASTIC, UL94V-0, BLACK, PBT.
CONTACTS: COPPER ALLOY.
SHIELD: STAINLESS STEEL.
- 2 FINISH:
CONTACTS:
MATING AREA: CONFORMS TO HDMI SPECIFICATION VERSION 1.3a
TABLE 4-6 AND 4-7 (ELECTRICAL AND ENVIRONMENTAL PERFORMANCE), BASED ON EIA/ECA - 364-1000.01A (CONTROLLED ENVIRONMENT APPLICATIONS).
SOLDER TAILS: TIN OVER NICKEL.
- 3 INTERFACE DIMENSIONS PER HDMI SPECIFICATION VERSION 1.3a.
- 4 WAVE SOLDER COMPATIBLE PER 109-202, CONDITION B. NO CLEAN FLUX IS RECOMMENDED.
- 5 THIS DIMENSION HAS AN ADDITIONAL 1.0 CLEARANCE OVER HDMI V1.3a SPECIFICATION MAXIMUM CABLE TYPE A PLUG HEIGHT.
- 6 REMOVE CAP IS RECOMMENDED AFTER WAVE SOLDER.
- 7 MATERIALS:
HOUSING: HIGH TEMP THERMOPLASTIC, UL94V-0, BLACK, LCP.
CONTACTS: COPPER ALLOY.
SHIELD: STAINLESS STEEL.
- 8 STAND-OFF AREA.

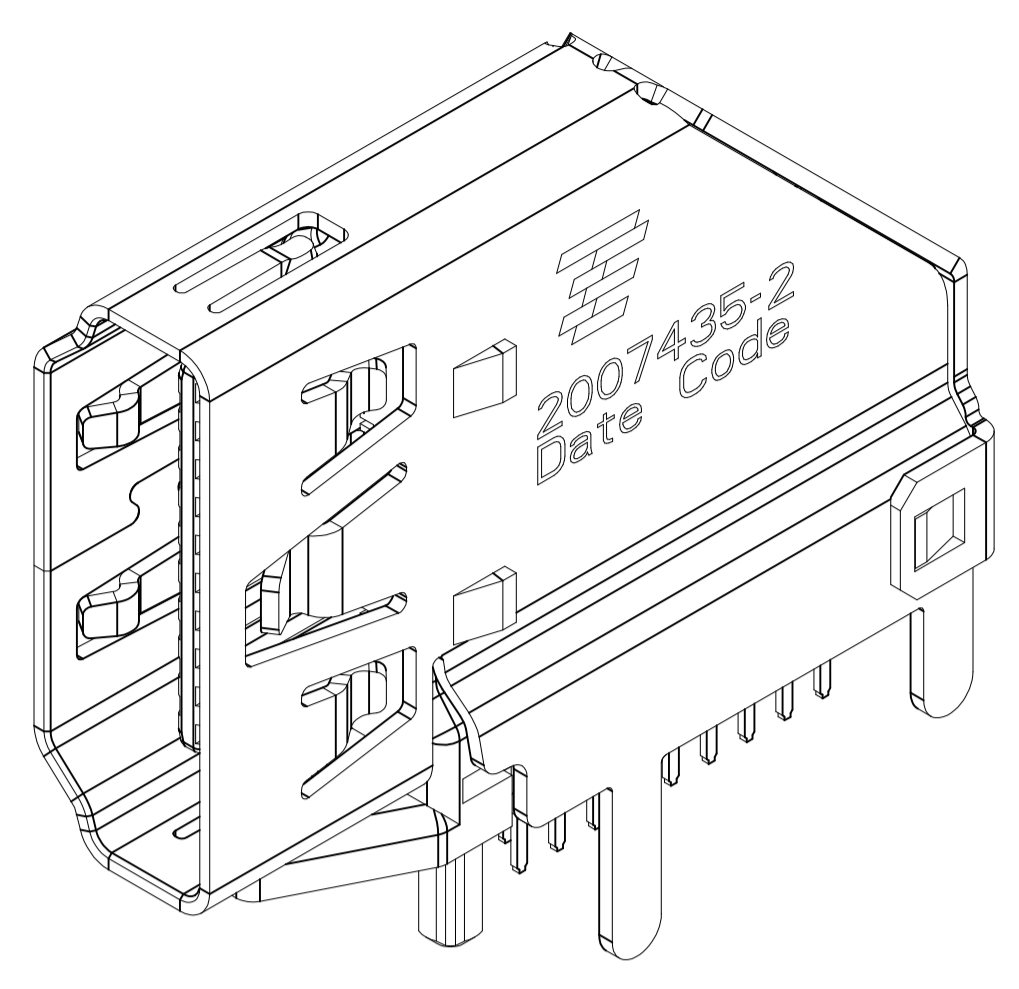


DESIGN APPROVED THIS PRINT IS
PRELIMINARY
TO FIRST PIECE APPROVAL
CONTACT PRODUCT ENGINEERING
BEFORE USING THIS PRINT

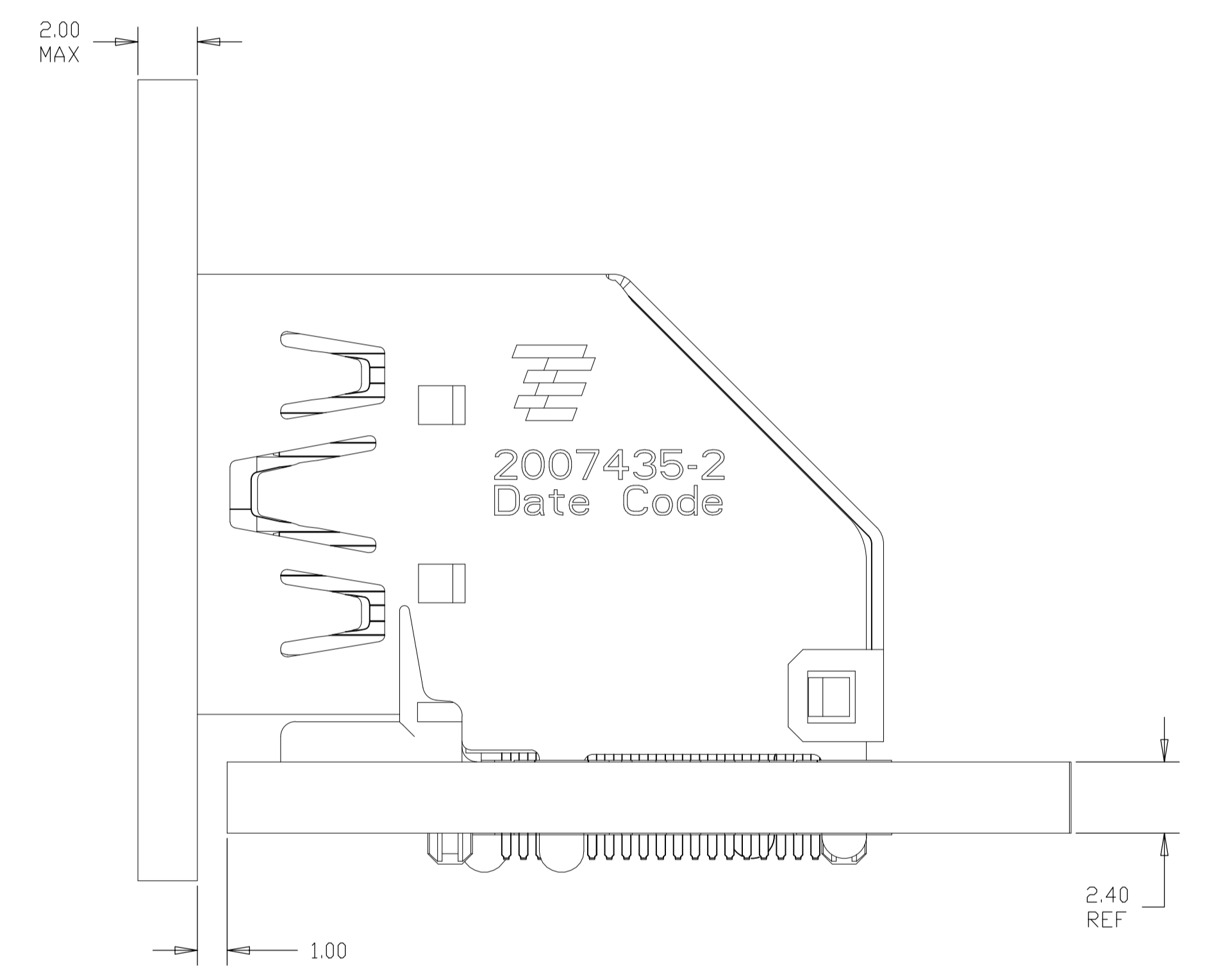
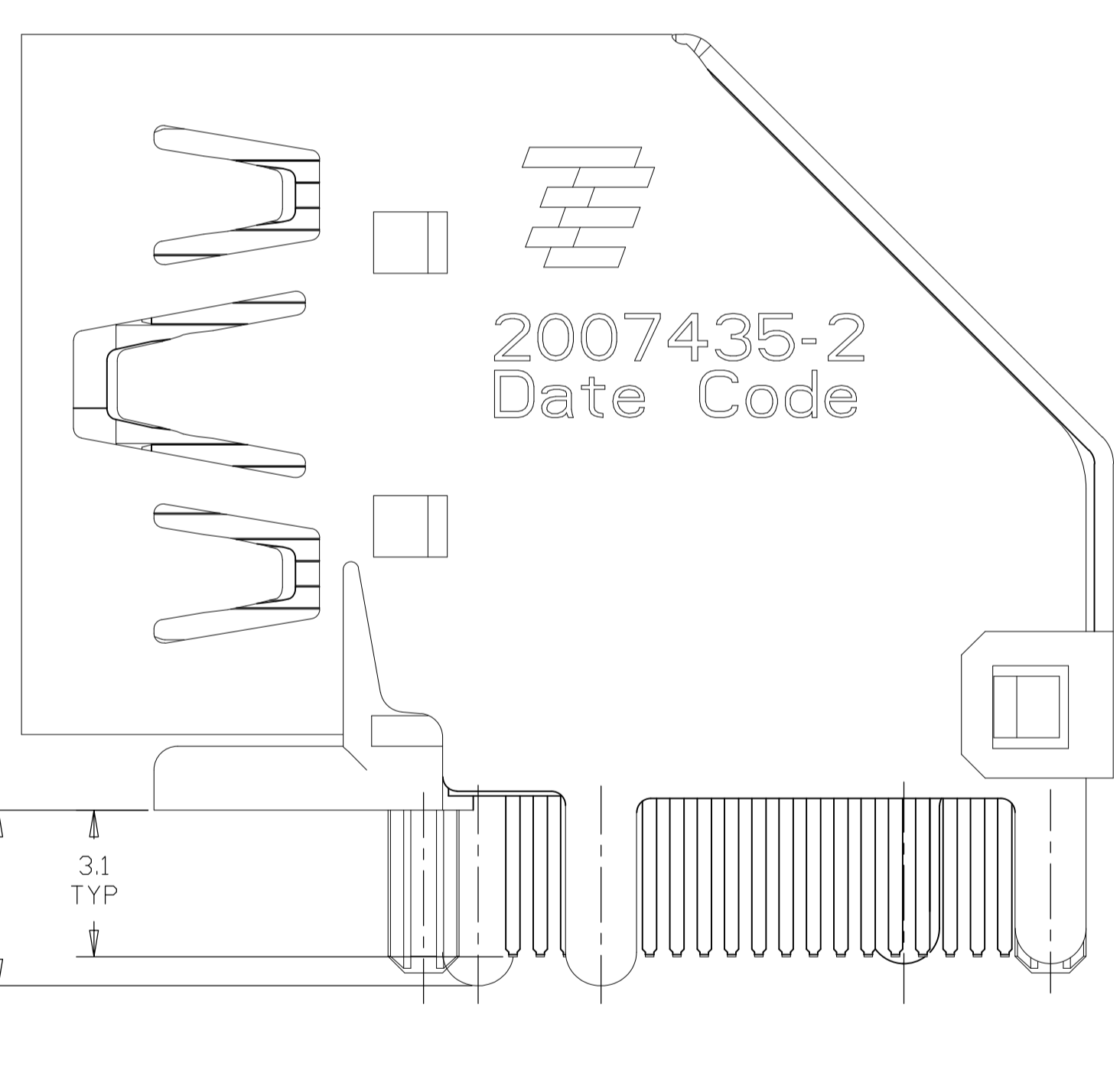
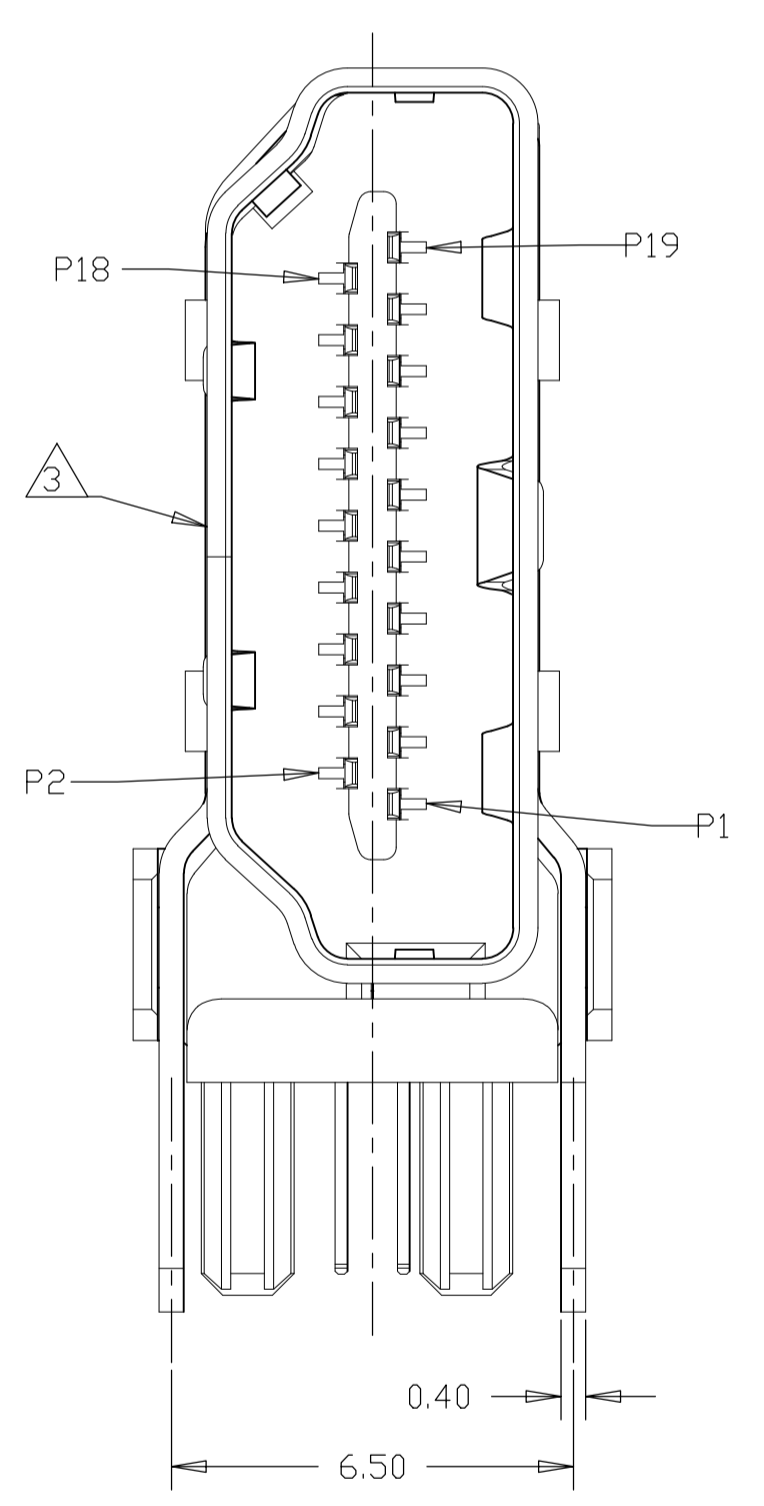
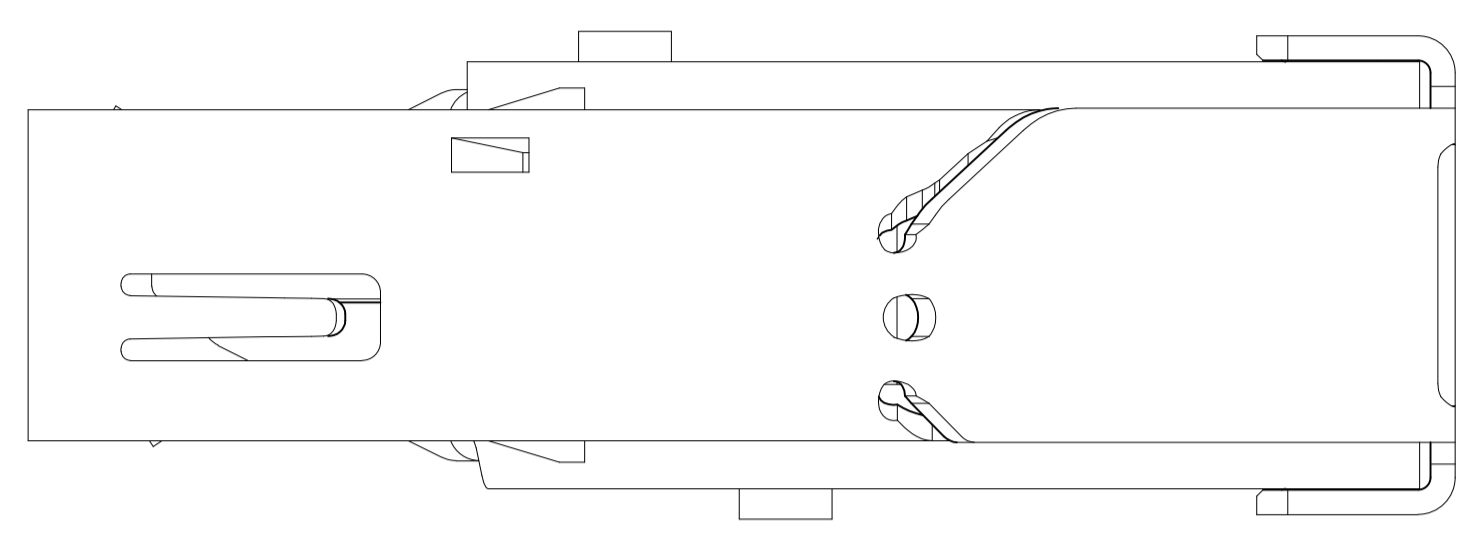


TRAY	WITHOUT POLYIMIDE TAPE	WITH KINK AND WITHOUT CAP	0.38 μ m	4.40	2-2007435-1
PACKAGE	REMARK		GOLD PLATING ON CONTACT AREA	MATERIAL	PCB THICKNESS
THIS DRAWING IS A CONTROLLED DOCUMENT.			DWN Francis Lee 31AUG2010	STE TE Connectivity	
DIMENSIONS: mm			CHK Martin Li 31AUG2010	HDMI FLAG CONNECTOR ASSEMBLY	
TOLERANCES UNLESS OTHERWISE SPECIFIED:			APPD Steven Yao 31AUG2010	108-60079	
0 PLC \pm -			APPLICATION SPEC		
1 PLC \pm 0.3			SIZE CAGE CODE DRAWING NO		
2 PLC \pm 0.25			A1 00779 2007435		
3 PLC \pm 0.100			RESTRICTED TO		
4 PLC \pm 0.1000			CUSTOMER DRAWING		
ANGLES \pm 5			SCALE 8:1 SHEET 2 OF 10 REV D2		

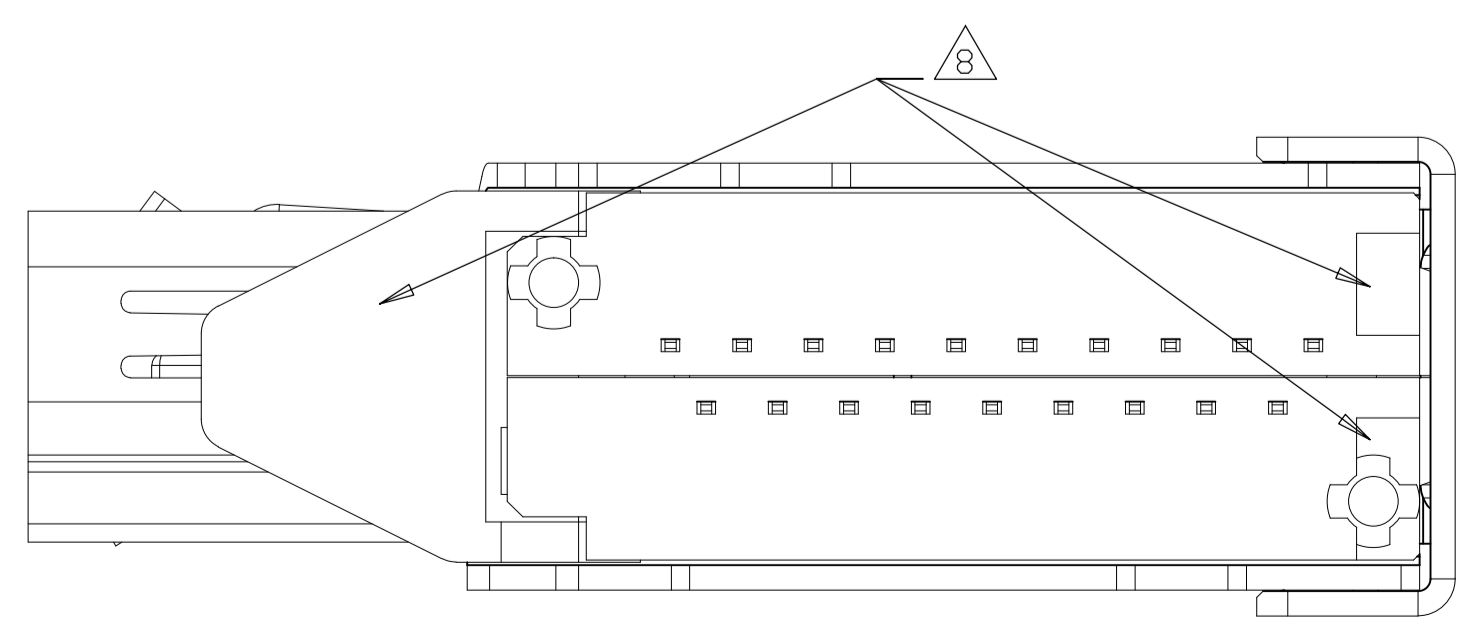
LOC		DIST		REVISIONS			
P	LTR	DESCRIPTION	DATE	DN	APVD		
-	-	SEE SHEET 1	-	-	-	-	-



2007435-2 WITHOUT BOARD LOCK,
 UNMARKED DIMENSIONS SAME AS 2007435-1
 SCALE 6:1

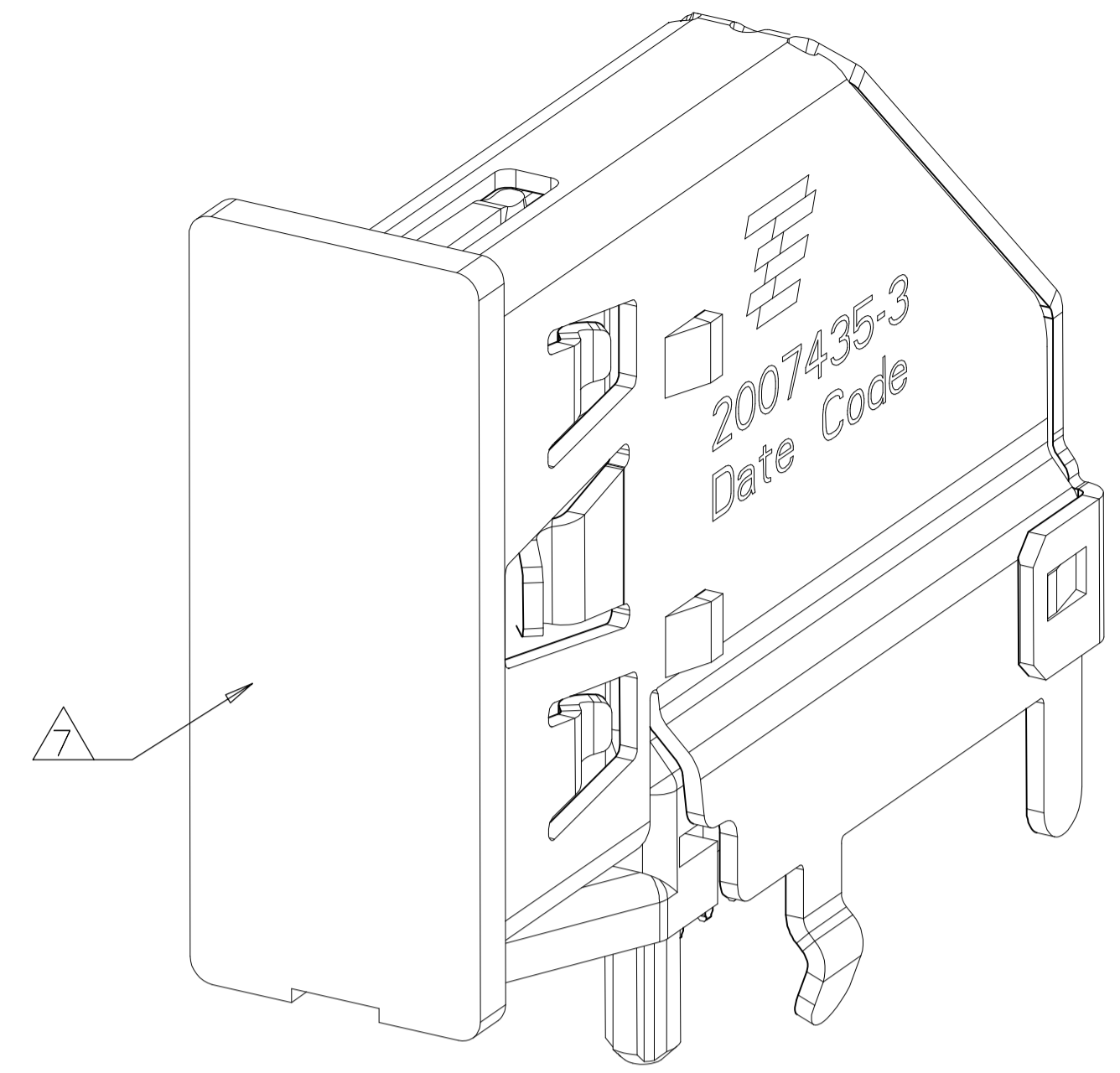


2007435-2
 INSTALLED CONDITION
 SCALE 6:1

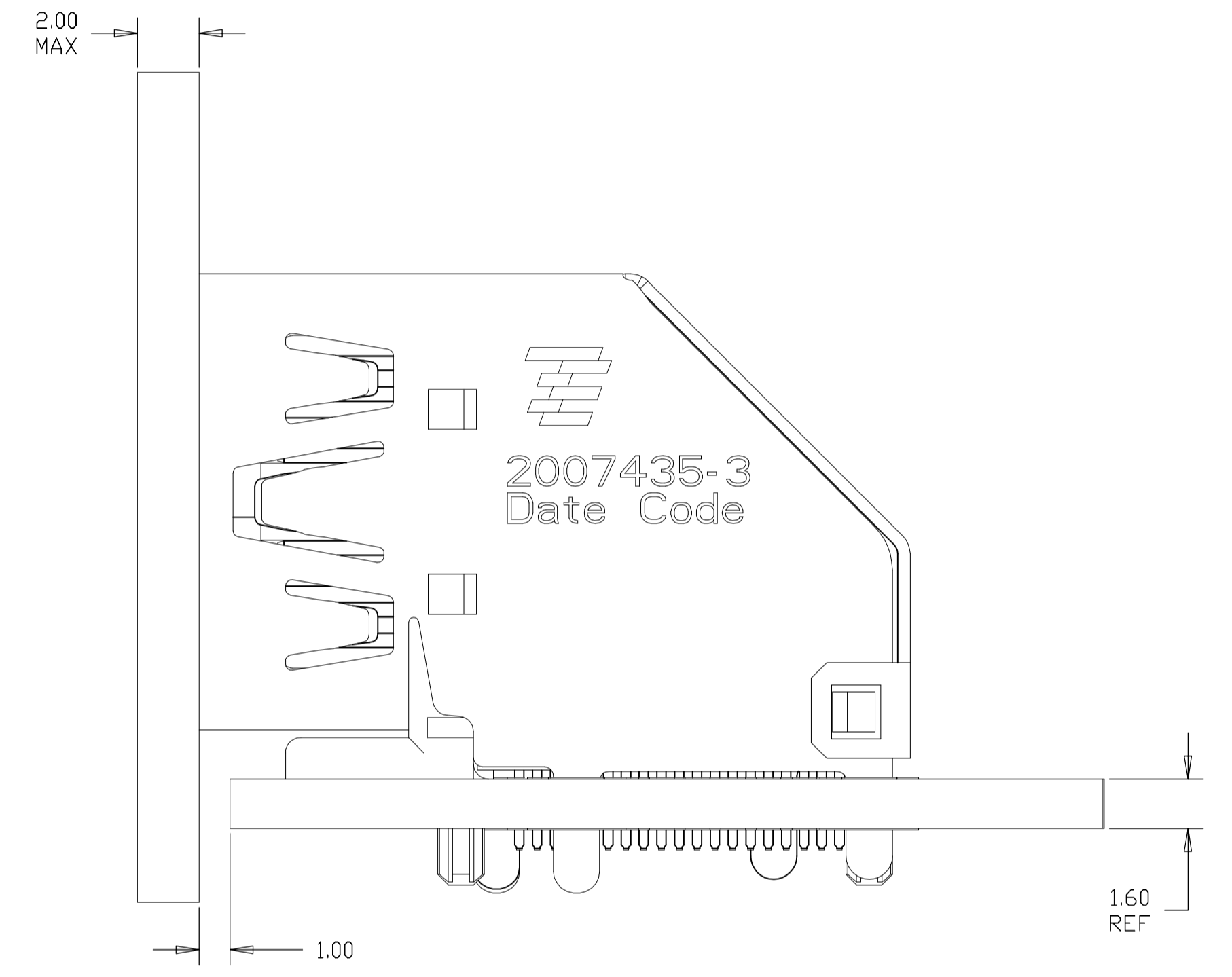
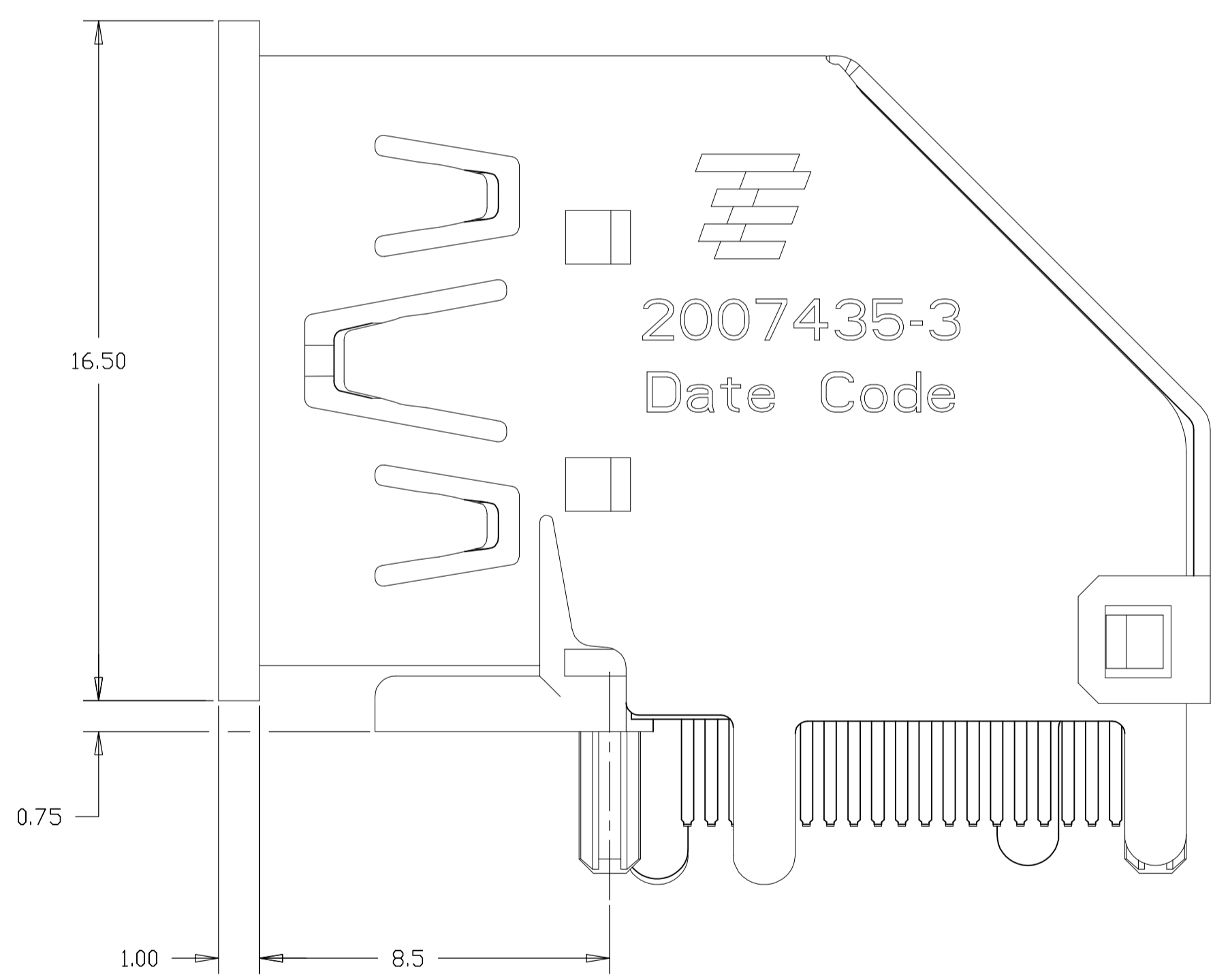
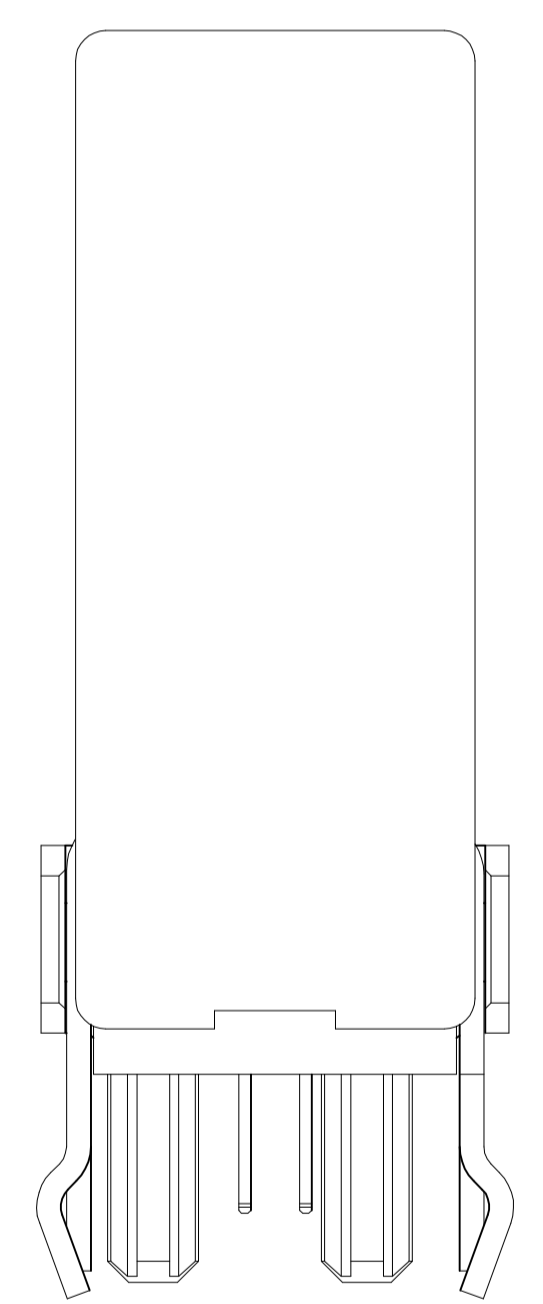
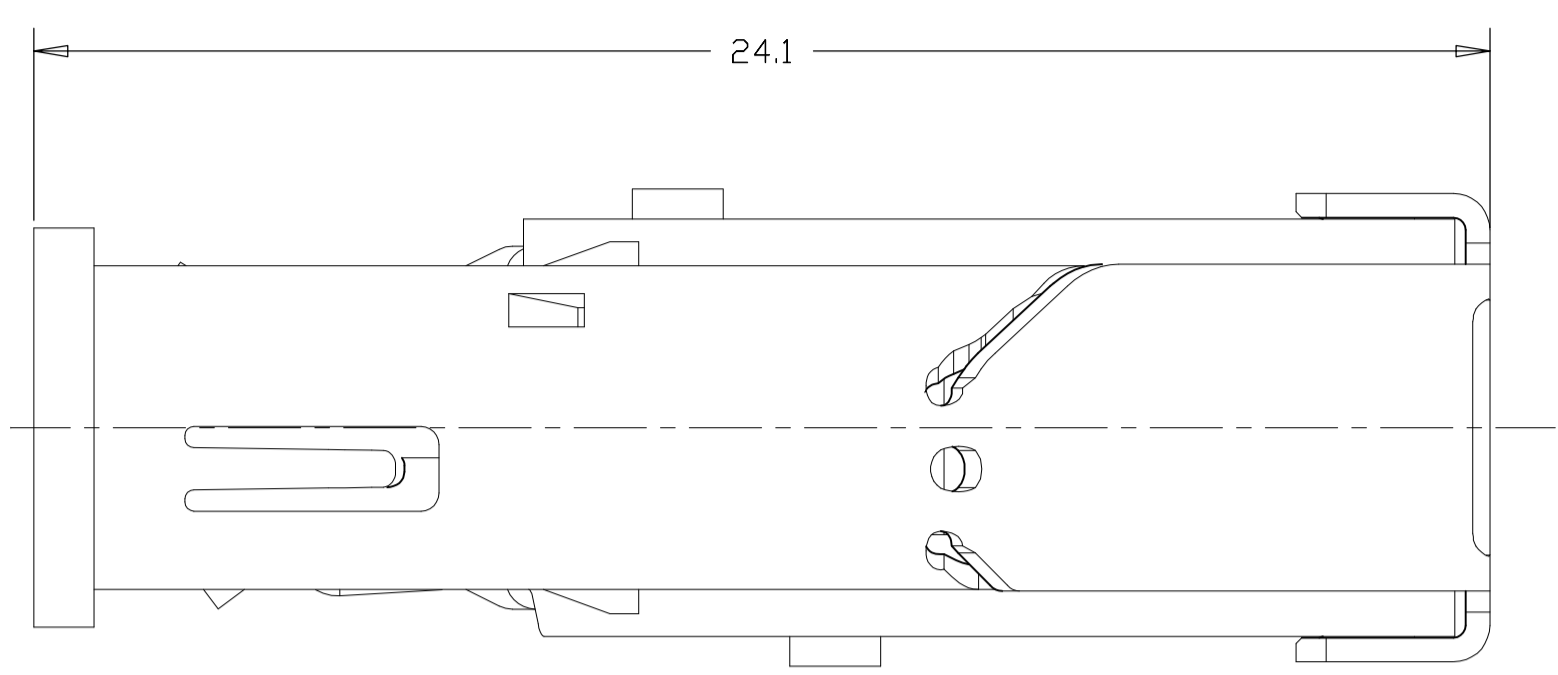


THIS DRAWING IS A CONTROLLED DOCUMENT.		DIN		TE Connectivity	
DIMENSIONS: mm		TOLERANCES UNLESS OTHERWISE SPECIFIED:		NAME	
<ul style="list-style-type: none"> 0. PLC ± - 1. PLC ± 0.3 2. PLC ± 0.25 3. PLC ± 0.100 4. PLC ± 0.1000 ANGLES ± - 		<ul style="list-style-type: none"> APVD PRODUCT SPEC APPLICATION SPEC 		HDMI FLAG CONNECTOR ASSEMBLY	
MATERIAL SEE TABLE		FINISH		SIZE CAGE CODE DRAWING NO	
				A1 00779 C=2007435	
		CUSTOMER DRAWING		RESTRICTED TO	
		SCALE 8:1		SHEET 3 OF 10 REV D2	

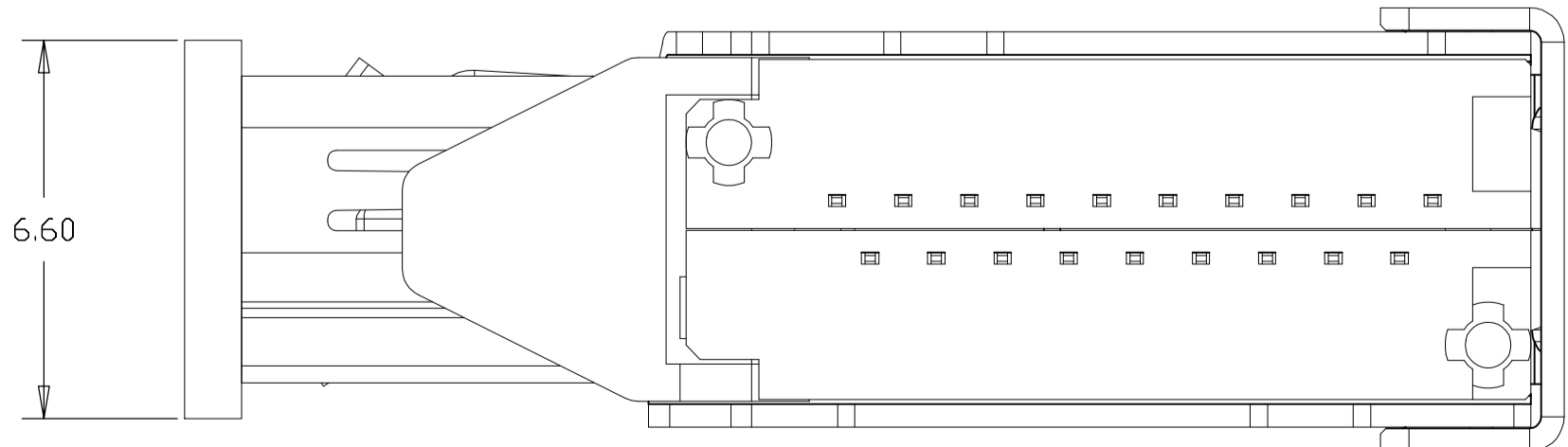
LOC		DIST		REVISIONS			
P	LTR	DESCRIPTION	DATE	DN	APVD		
-	-	SEE SHEET 1	-	-	-	-	-



2007435-3(-5) WITH CAP, UNMARKED
 DIMENSIONS SAME AS 2007435-1
 SCALE 6:1

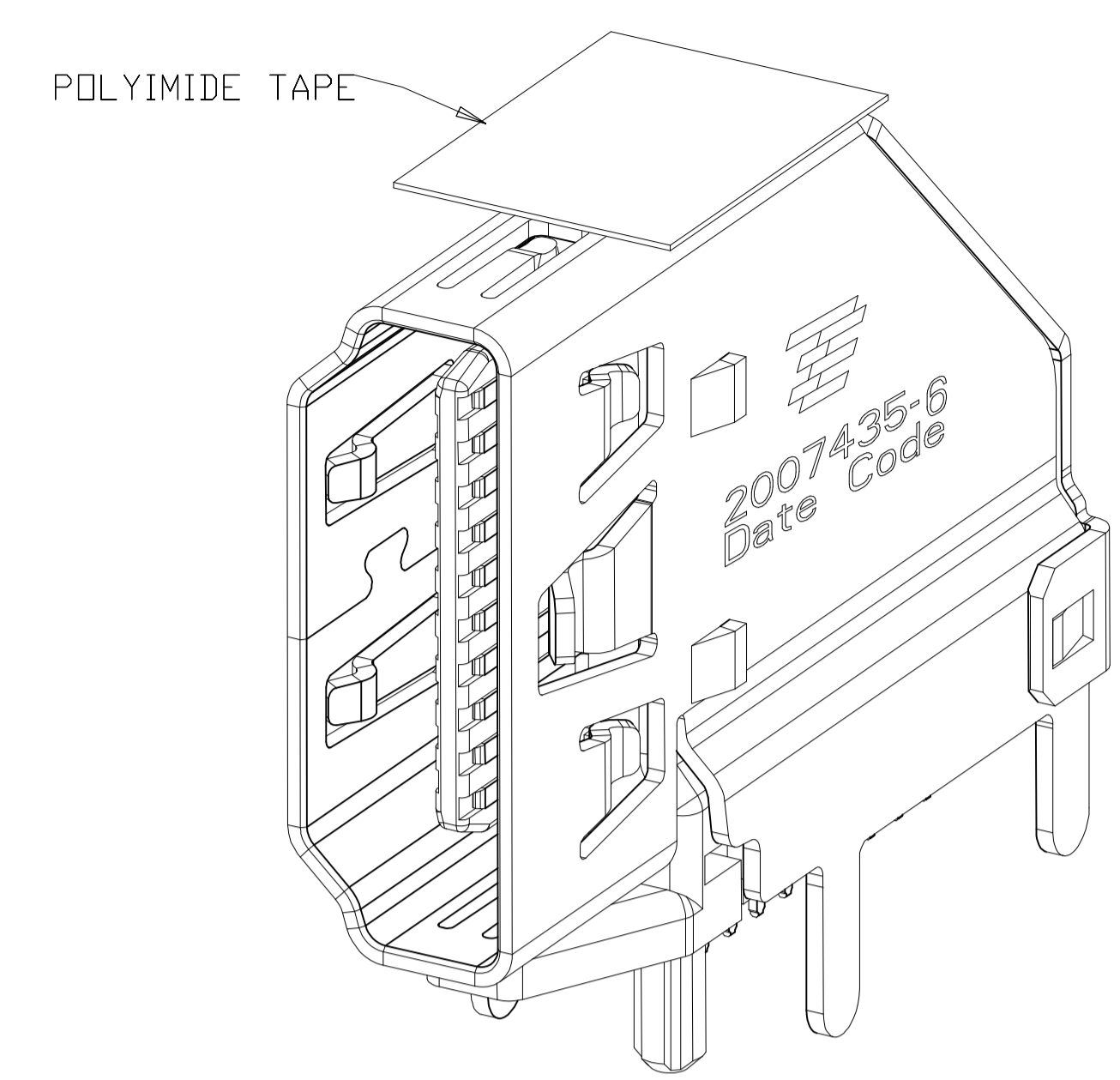
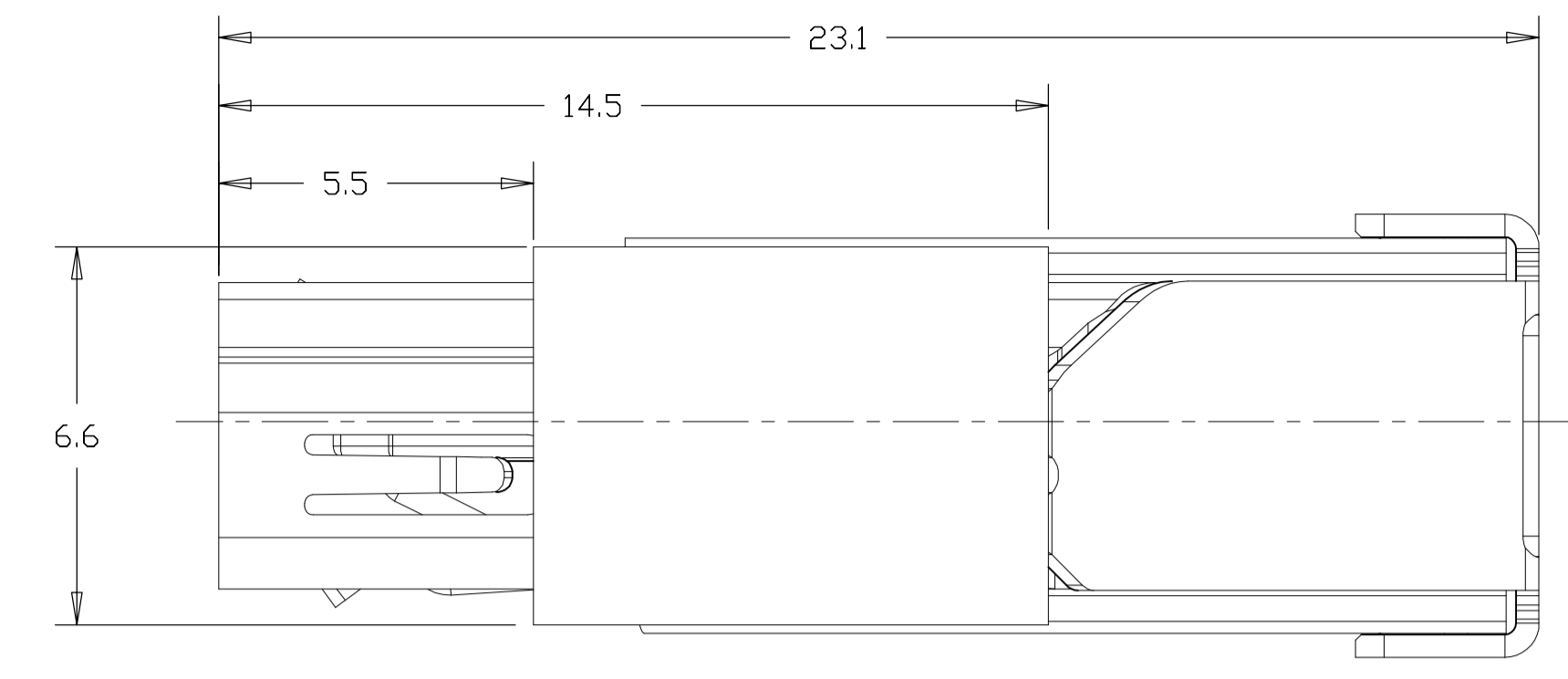


2007435-3(-5)
 INSTALLED CONDITION
 (ONLY FOR AFTER REMOVE CAP)
 SCALE 6:1

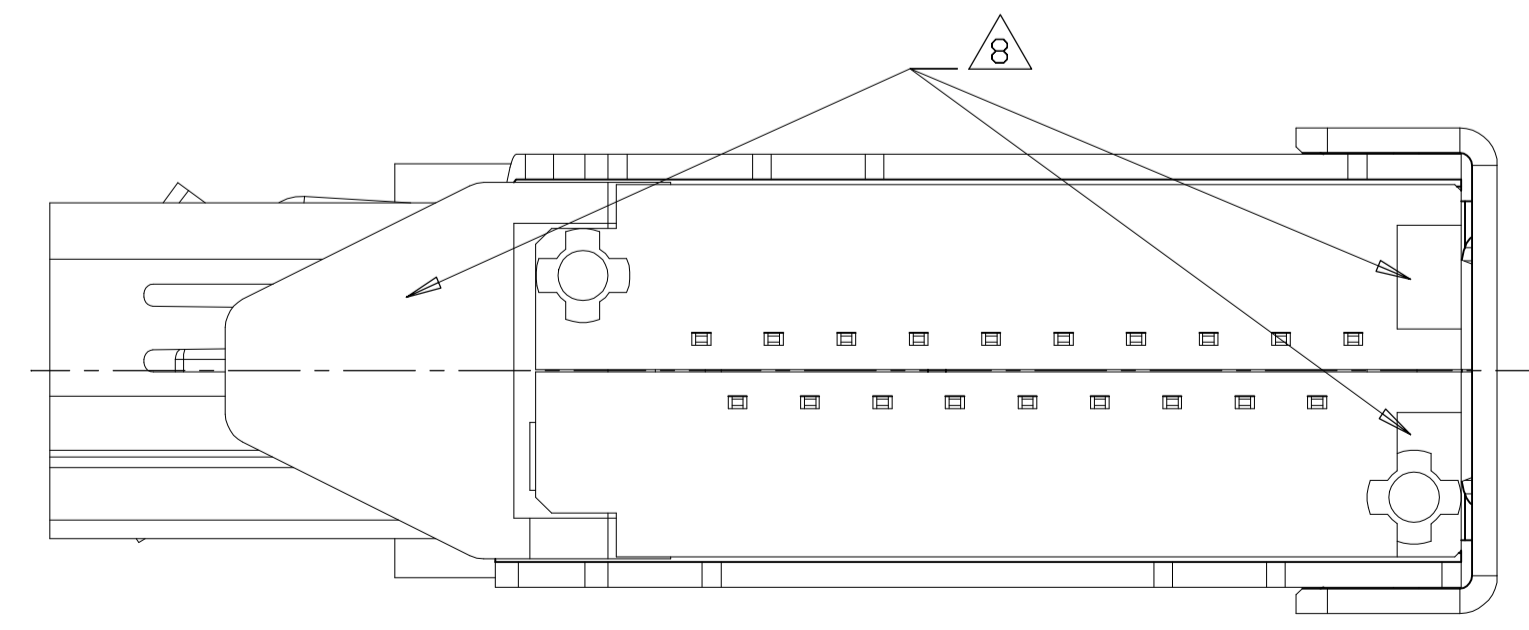
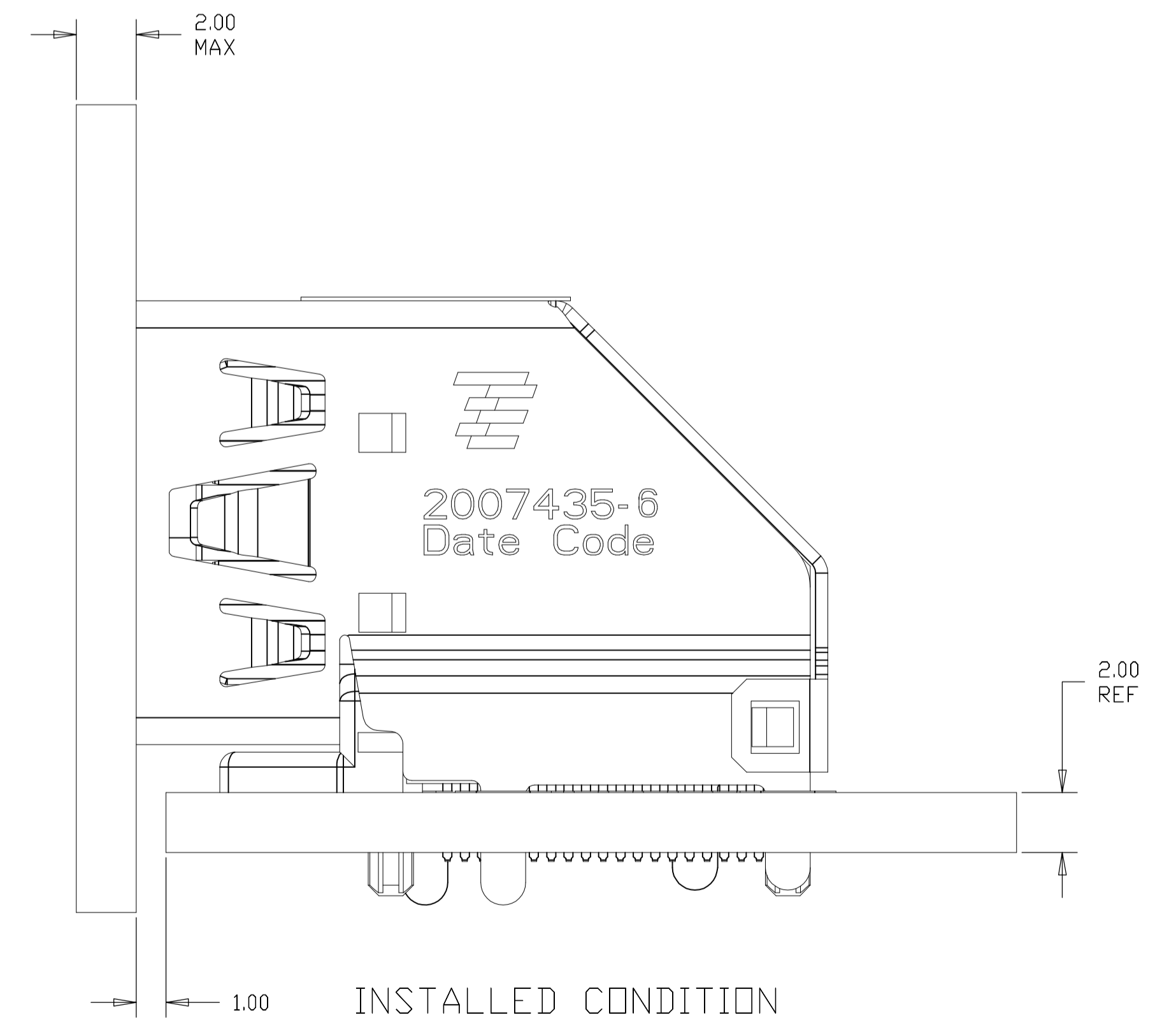
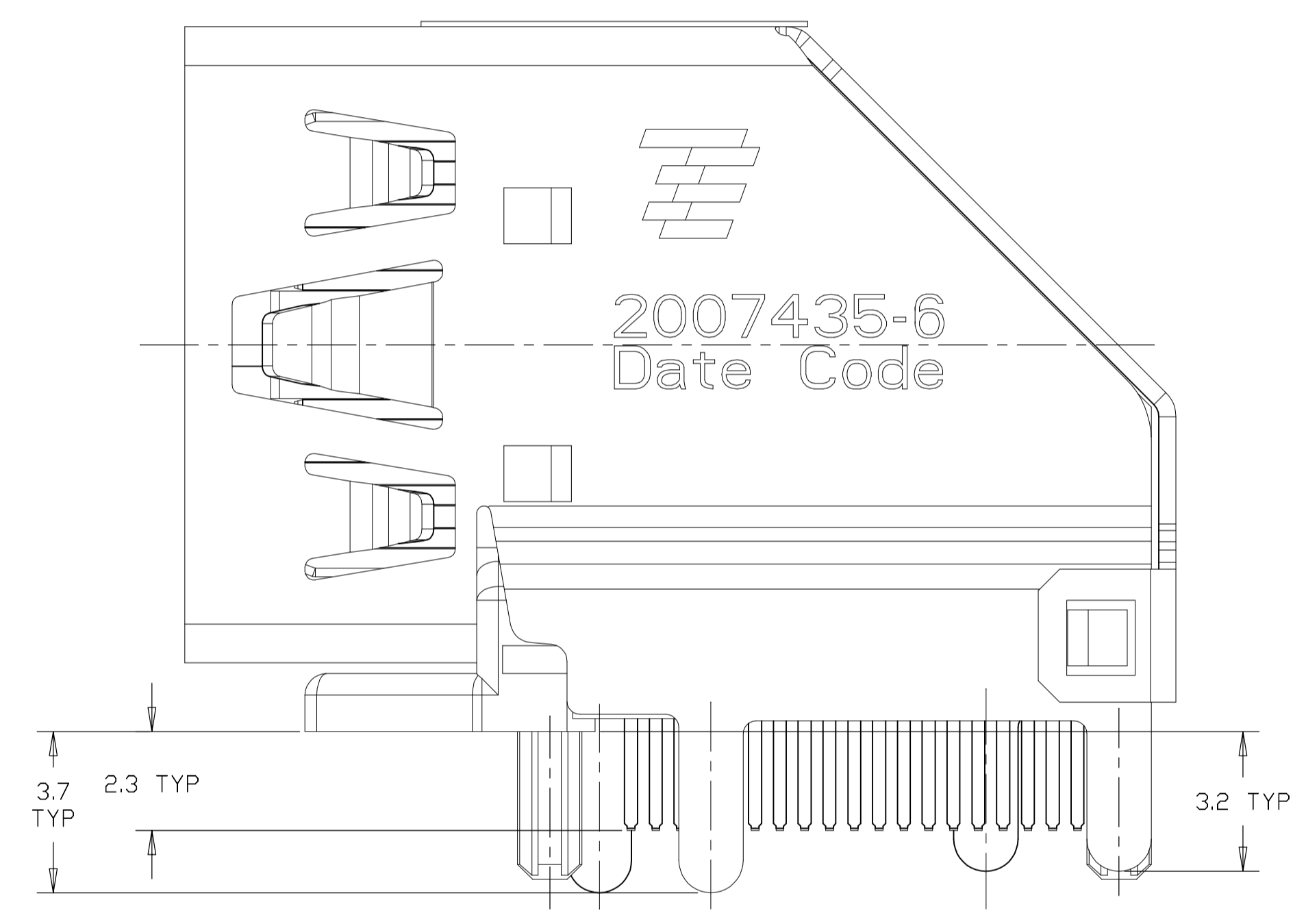
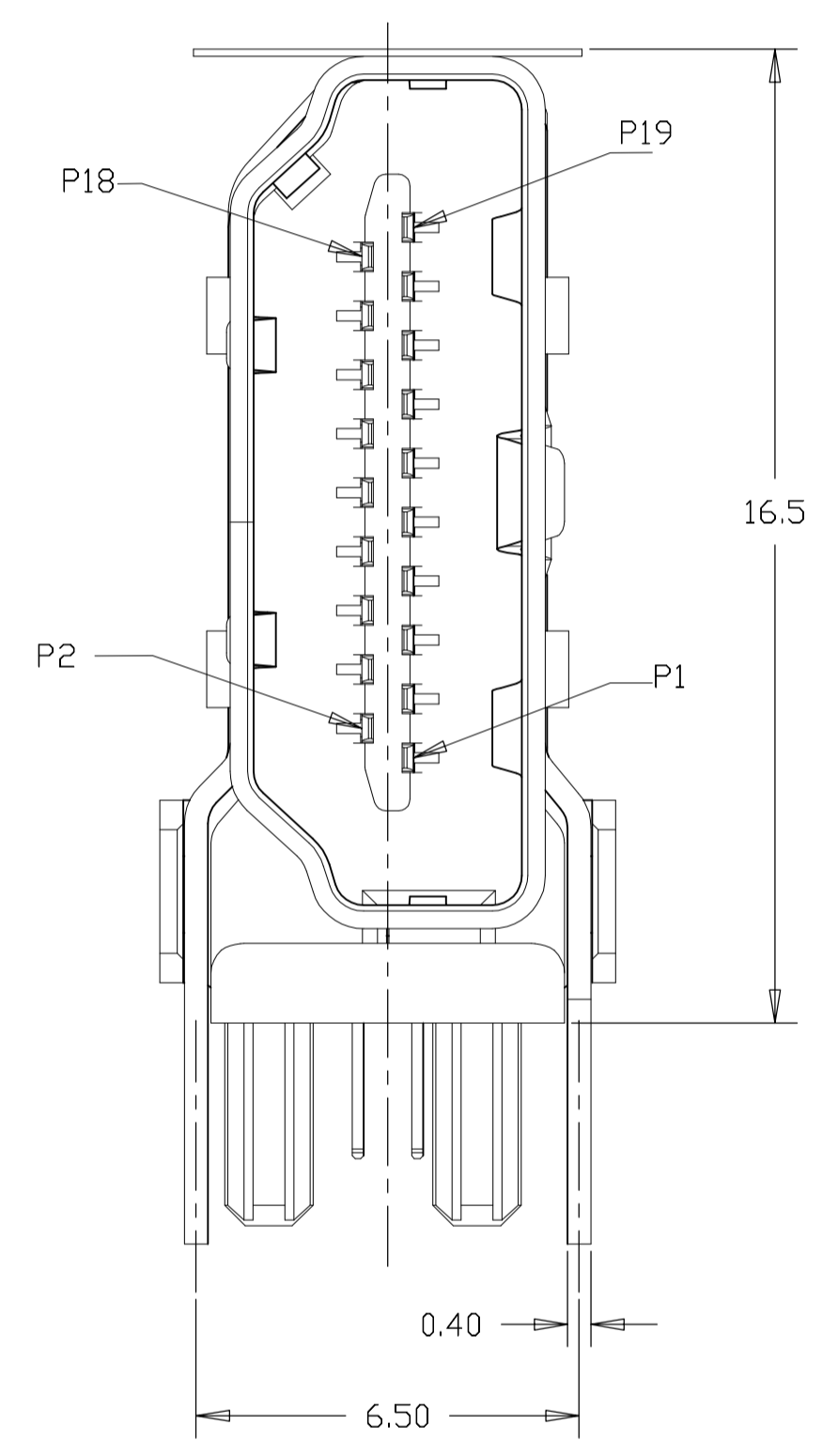


THIS DRAWING IS A CONTROLLED DOCUMENT.		DIN		TE Connectivity	
DIMENSIONS: mm		TOLERANCES UNLESS OTHERWISE SPECIFIED:			
		0. PLC ± 0.3 1. PLC ± 0.25 2. PLC ± 0.10 3. PLC ± 0.10 4. PLC ± 0.10 ANGLES ± -		NAME: HDMI FLAG CONNECTOR ASSEMBLY PRODUCT SPEC: - APPLICATION SPEC: -	
MATERIAL: SEE TABLE		FINISH:		SIZE: A1 CAGE CODE: 00779 DRAWING NO: C=2007435 RESTRICTED TO: -	
				CUSTOMER DRAWING SCALE: 8:1 SHEET 4 OF 10 REV D2	

LOC		DIST		REVISIONS			
P	LTR	DESCRIPTION	DATE	DNW	APVD		
-	-	SEE SHEET 1	-	-	-		



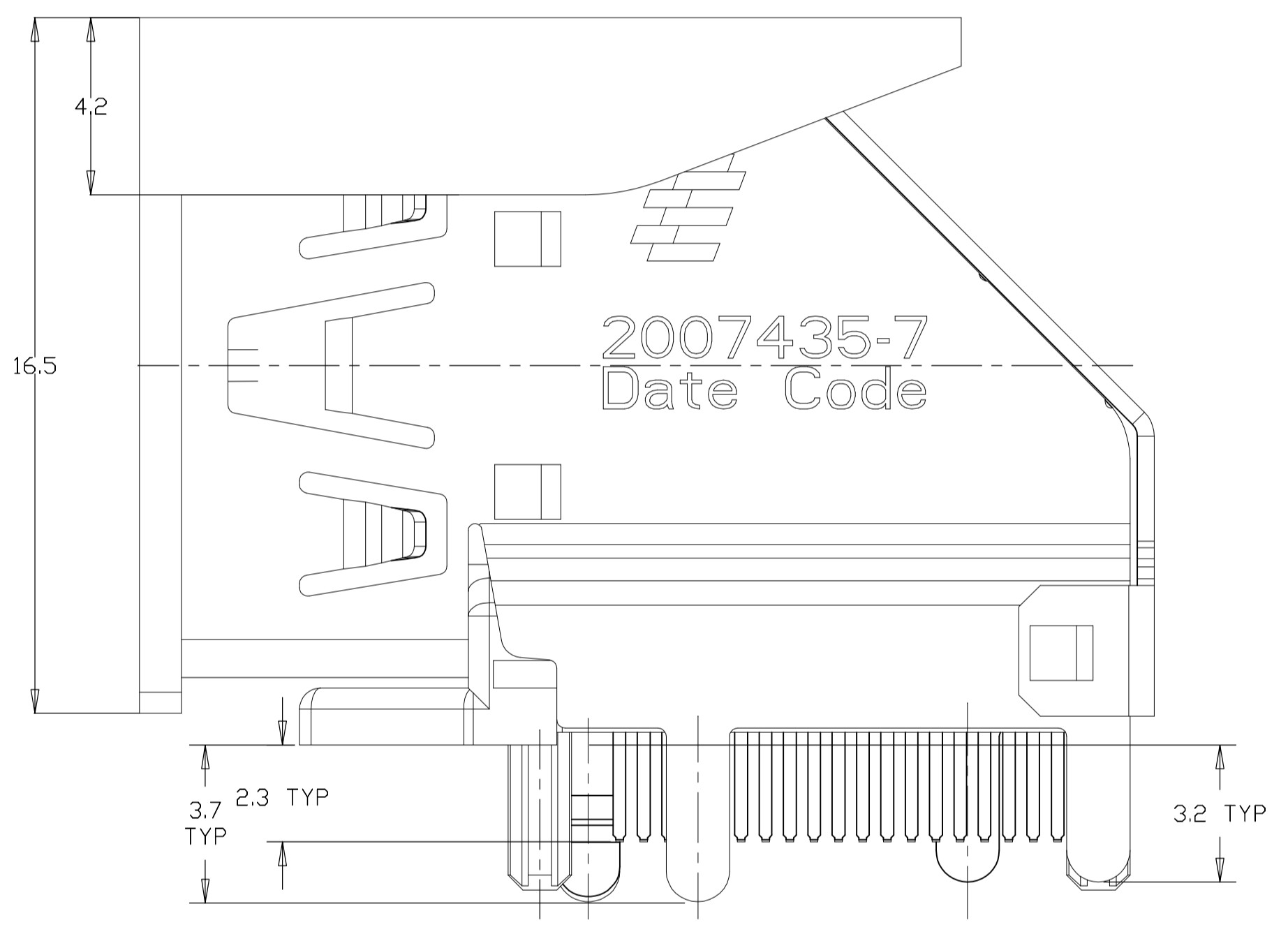
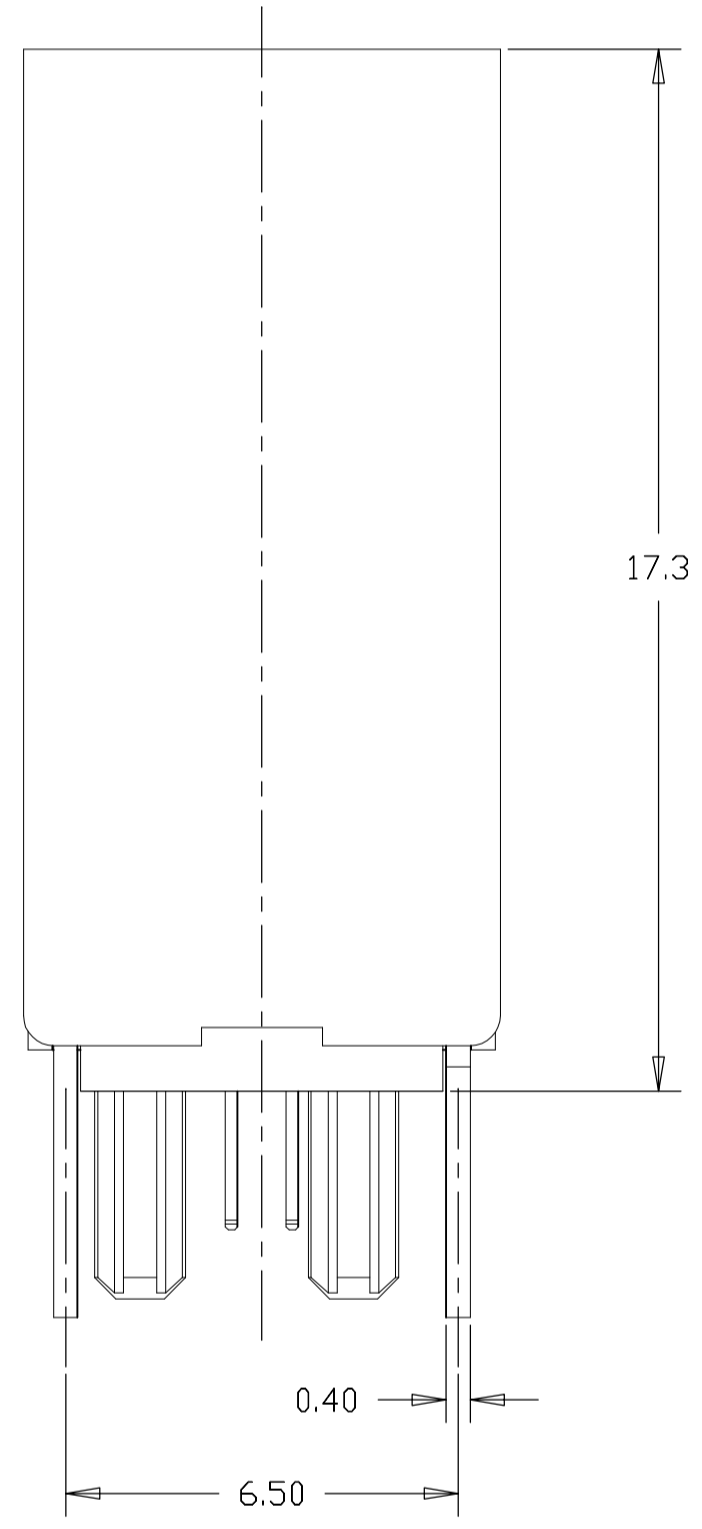
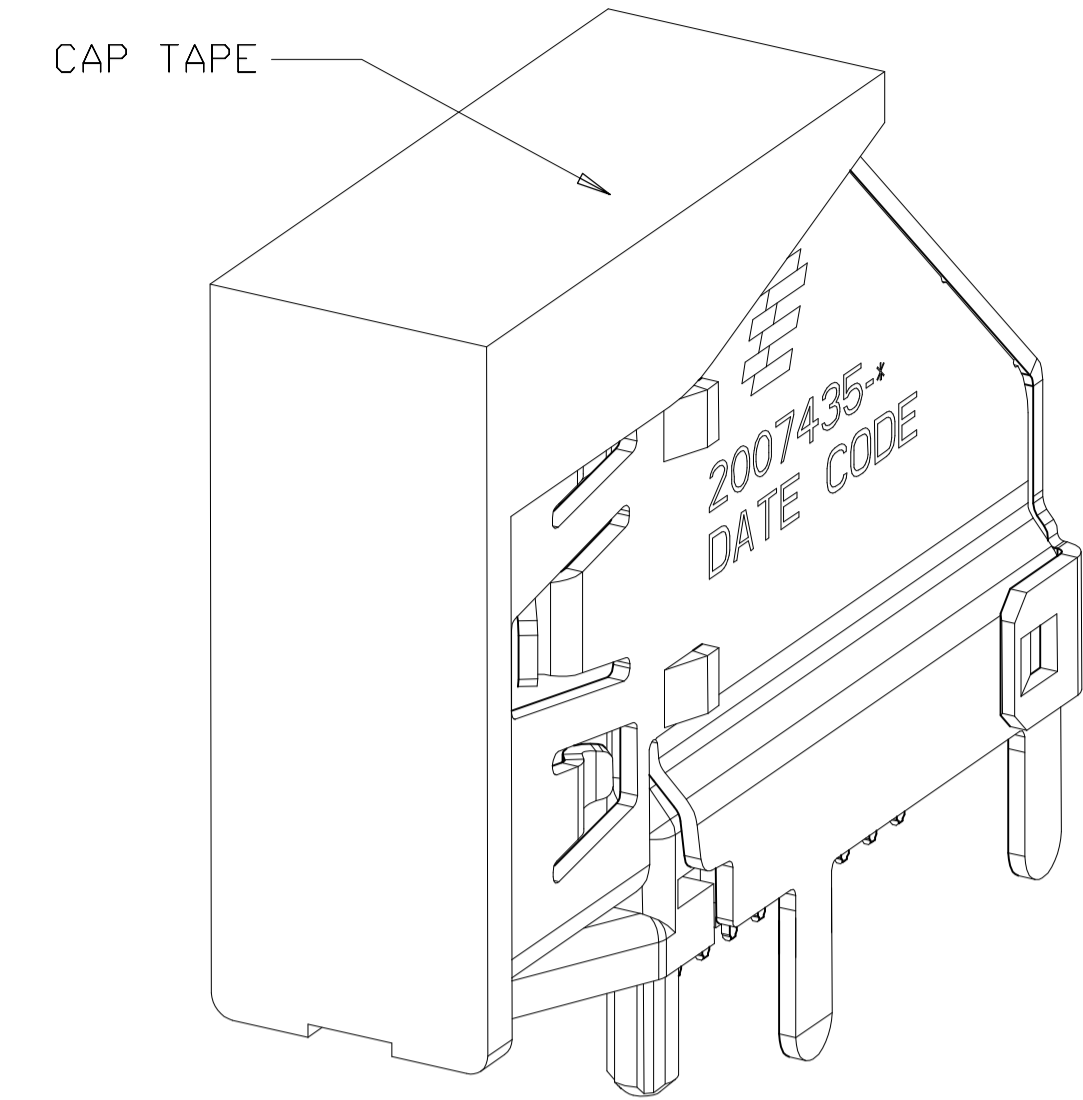
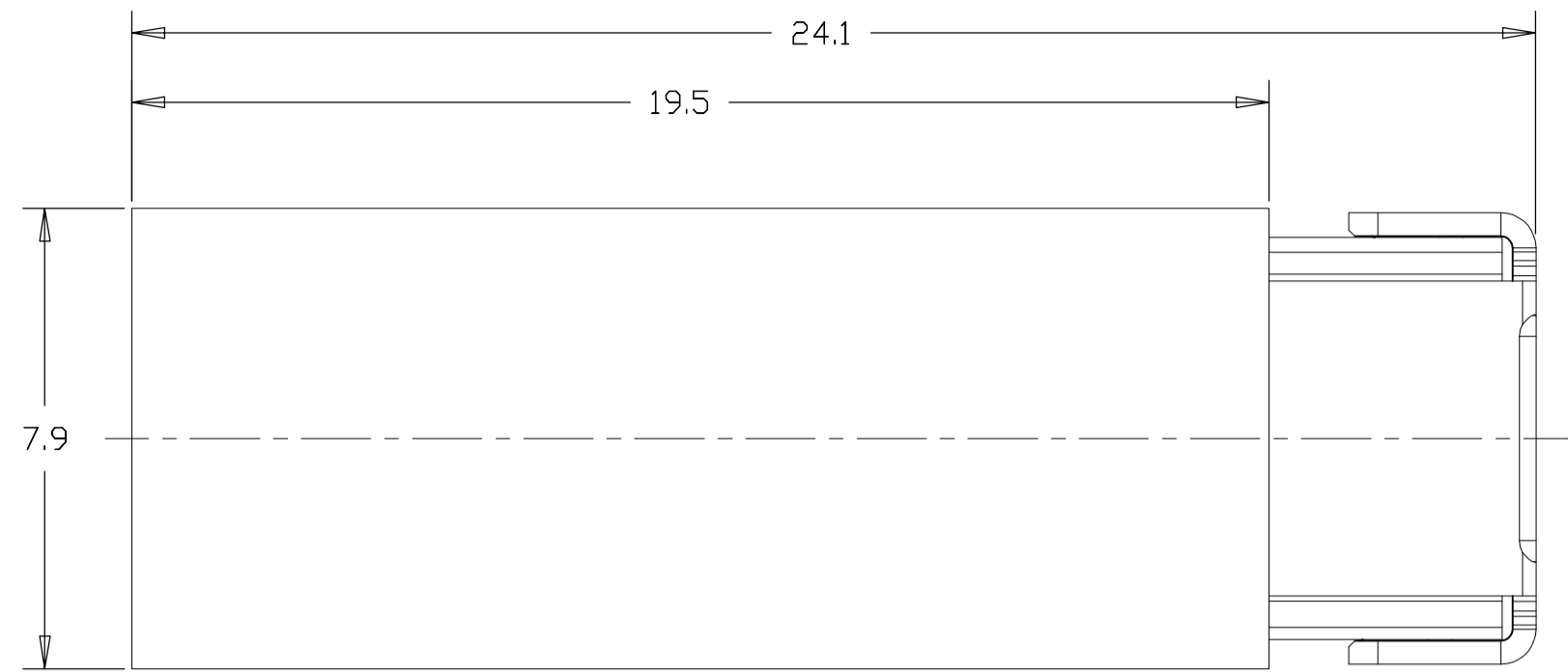
2007435-6 WITH POLYIMIDE TAPE,
UNMARKED DIMENSIONS SAME AS 2007435-1
SCALE 6:1



SCALE 6:1

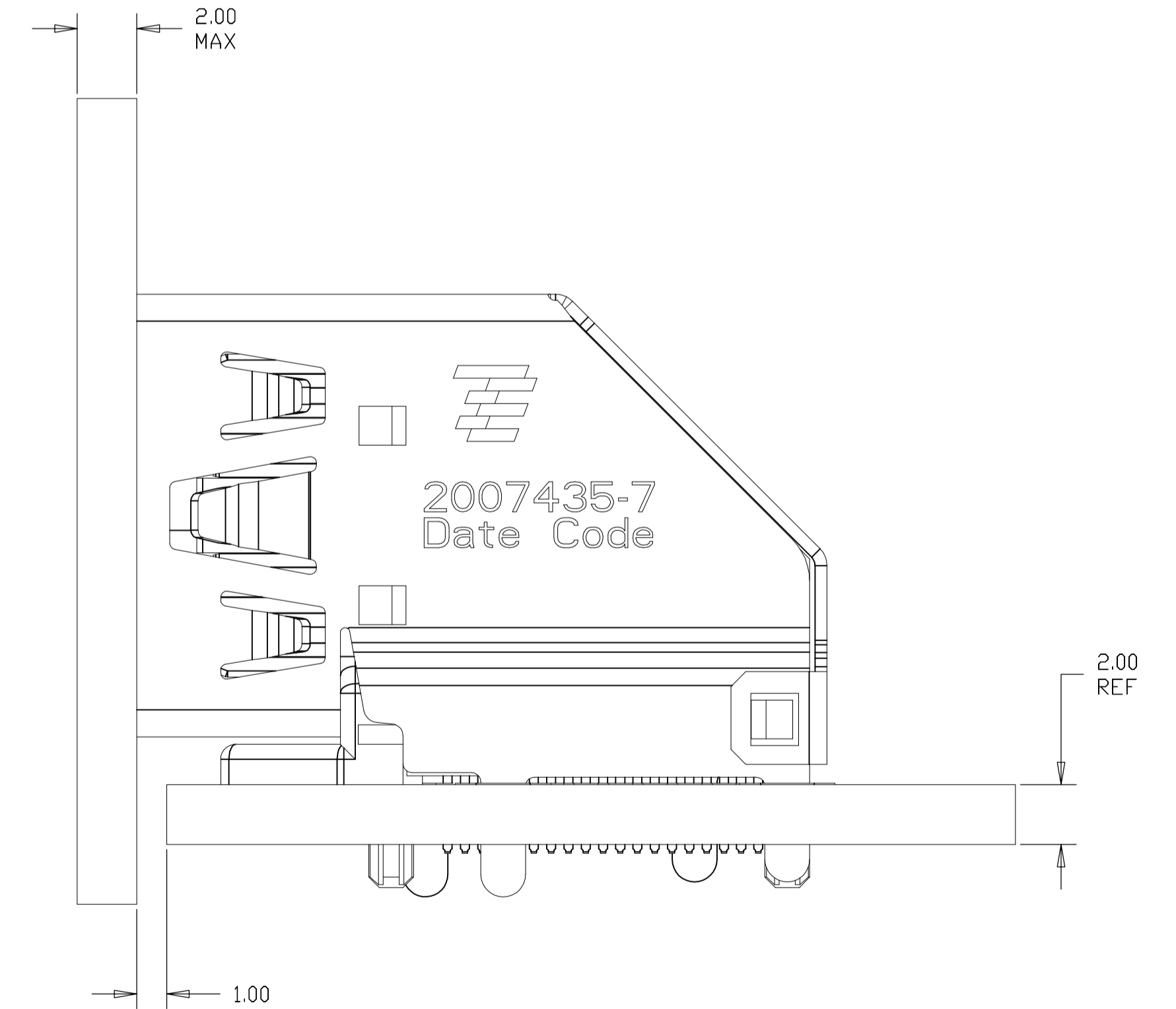
THIS DRAWING IS A CONTROLLED DOCUMENT.		DIN		STE		TE Connectivity	
DIMENSIONS: mm		TOLERANCES UNLESS OTHERWISE SPECIFIED:		NAME		HDMI FLAG CONNECTOR ASSEMBLY	
<ul style="list-style-type: none"> 0. PLC ± 0.3 1. PLC ± 0.25 2. PLC ± 0.10 3. PLC ± 0.10 4. PLC ± 0.10 ANGLES ± - 		<ul style="list-style-type: none"> APVD PRODUCT SPEC APPLICATION SPEC WEIGHT 		SIZE: A1 CAGE CODE: 00779 DRAWING NO: C=2007435		RESTRICTED TO	
MATERIAL: SEE TABLE		FINISH: 2		CUSTOMER DRAWING		SCALE: 8:1 SHEET 5 OF 10 REV D2	

REVISES		DATE	OWN	APVD
LOC	DIST	DESCRIPTION		
-	-	SEE SHEET 1	-	-

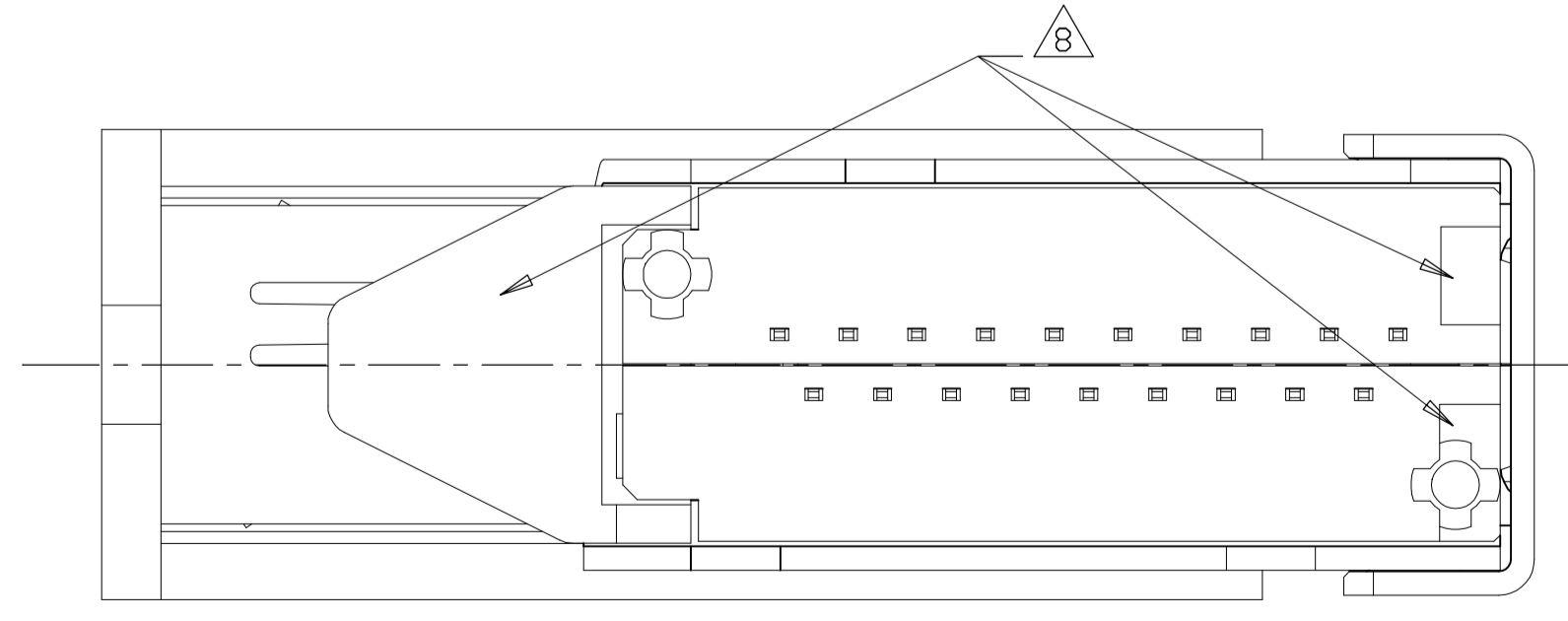


2007435-7 WITH CAP,
 UNMARKED DIMENSIONS SAME AS 2007435-1

SCALE 6:1

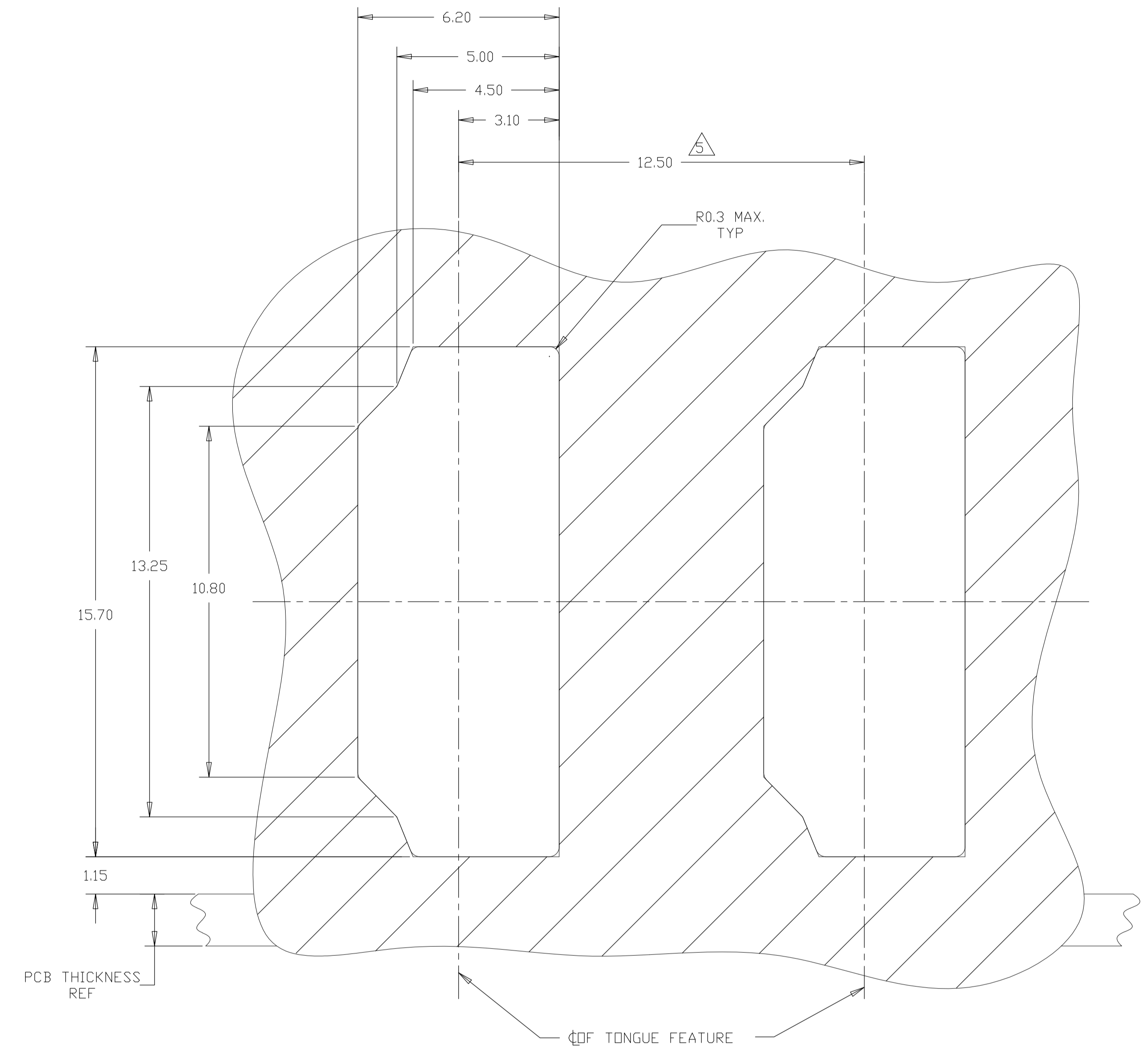
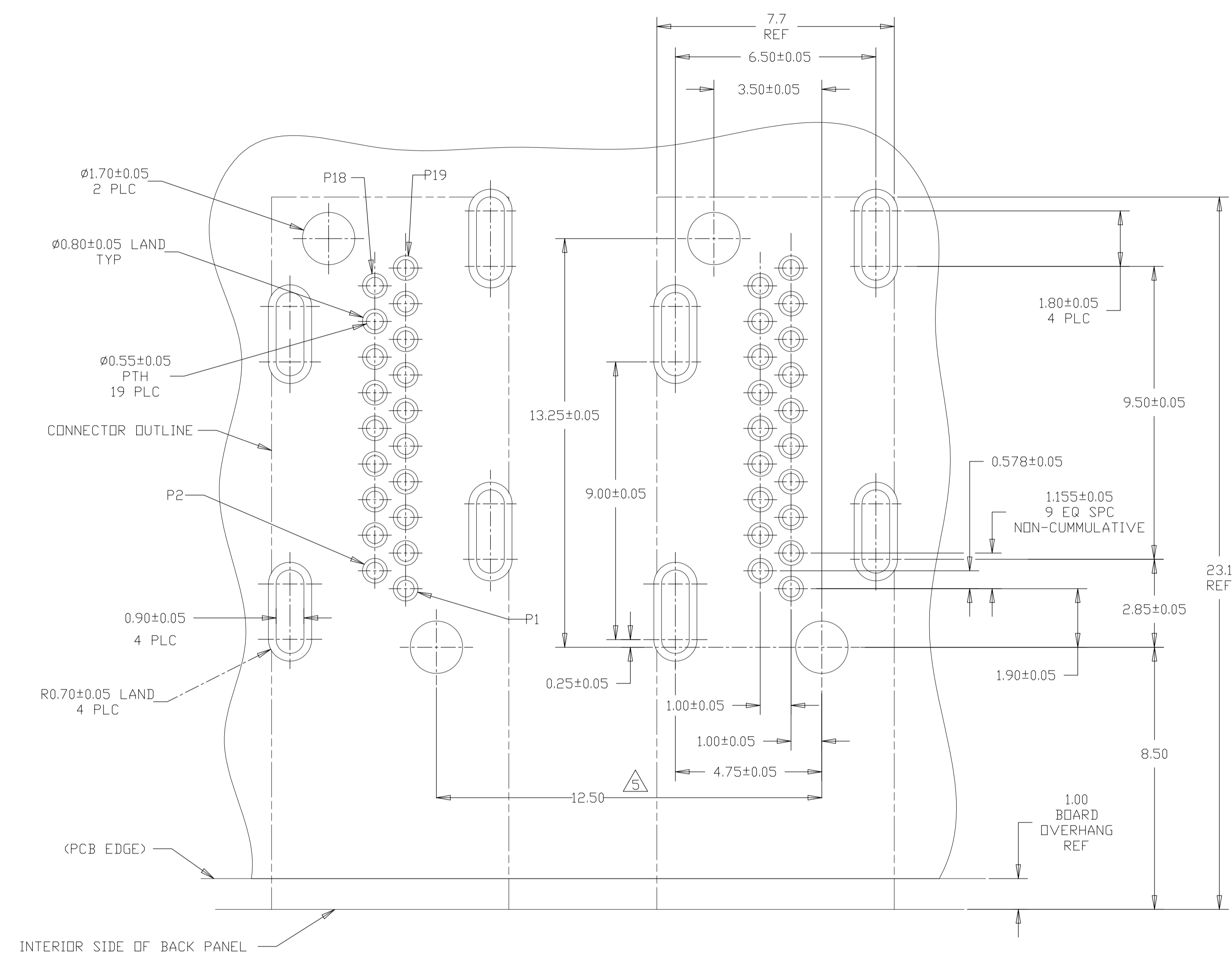


INSTALLED CONDITION
 (ONLY FOR AFTER REMOVE CAP)
 SCALE 6:1



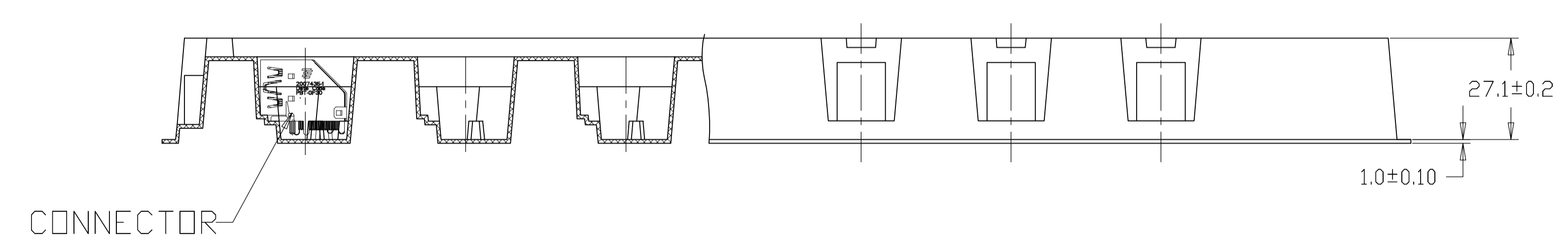
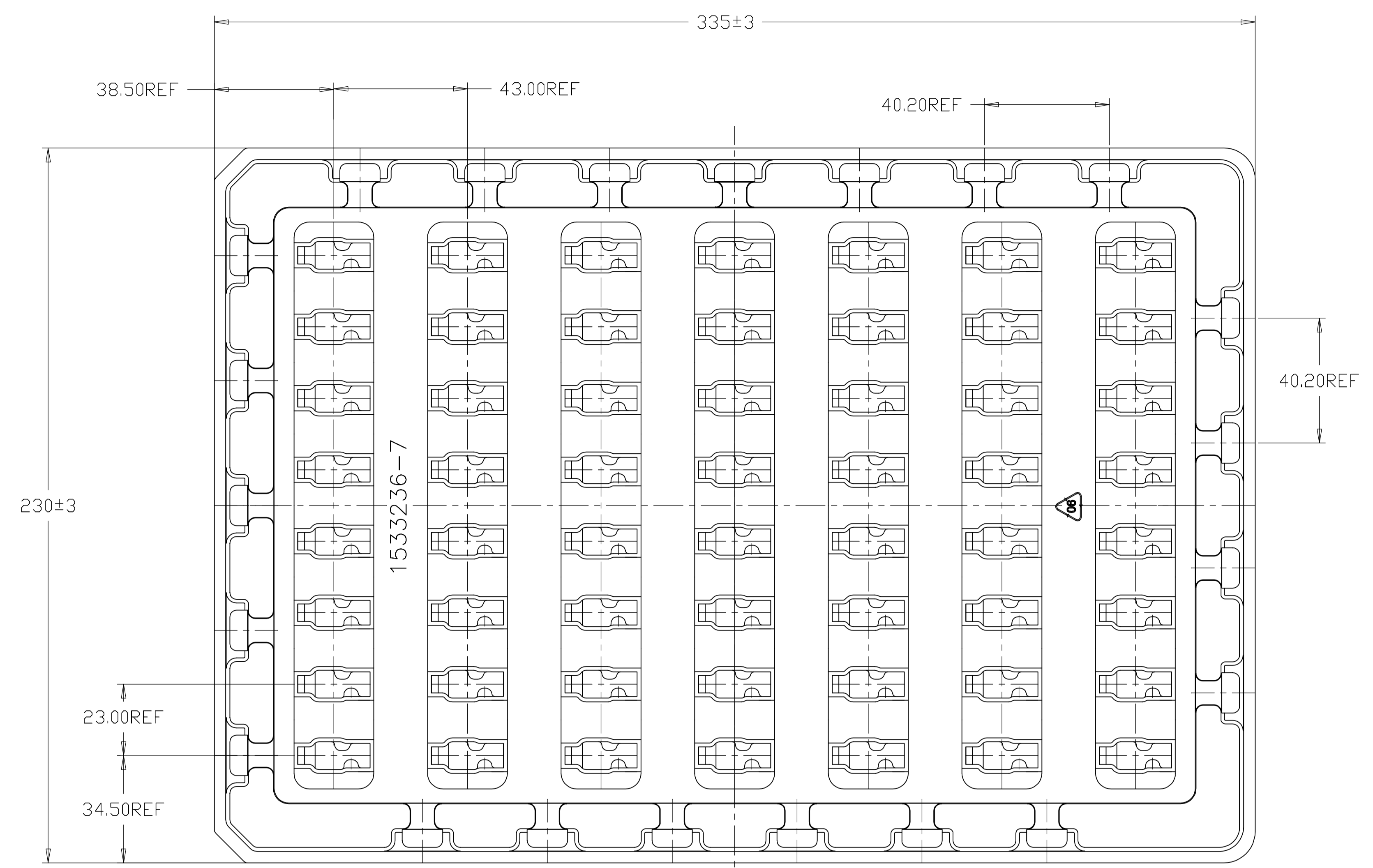
THIS DRAWING IS A CONTROLLED DOCUMENT.		DWN	TE Connectivity	
DIMENSIONS: mm		CHK	NAME	
TOLERANCES UNLESS OTHERWISE SPECIFIED:		APVD	HDMI FLAG CONNECTOR ASSEMBLY	
0 PLC	± 0.3	PRODUCT SPEC	SIZE	CAGE CODE
1 PLC	± 0.25	APPLICATION SPEC	A1	00779
2 PLC	± 0.10	WEIGHT	SCALE	8:1
3 PLC	± 0.10	MATERIAL	SHEET	6 OF 10
4 PLC	± 0.10	FINISH	REV	D2
ANGLES	±	SEE TABLE	CUSTOMER DRAWING	

LOC		DIST		REVISIONS			
P	LTR	DESCRIPTION	DATE	DNW	APVD		
-	-	SEE SHEET 1	-	-	-	-	-



THIS DRAWING IS A CONTROLLED DOCUMENT.		DIN		TE Connectivity													
DIMENSIONS: mm		TOLERANCES UNLESS OTHERWISE SPECIFIED:		NAME													
<table border="1"> <tr><td>0 PLC</td><td>± -</td></tr> <tr><td>1 PLC</td><td>± 0.1</td></tr> <tr><td>2 PLC</td><td>± 0.10</td></tr> <tr><td>3 PLC</td><td>± 0.100</td></tr> <tr><td>4 PLC</td><td>± 0.1000</td></tr> <tr><td>ANGLES</td><td>± -</td></tr> </table>		0 PLC	± -	1 PLC	± 0.1	2 PLC	± 0.10	3 PLC	± 0.100	4 PLC	± 0.1000	ANGLES	± -	APVD		HDMI FLAG CONNECTOR ASSEMBLY	
0 PLC	± -																
1 PLC	± 0.1																
2 PLC	± 0.10																
3 PLC	± 0.100																
4 PLC	± 0.1000																
ANGLES	± -																
MATERIAL		FINISH		PRODUCT SPEC													
				APPLICATION SPEC													
				SIZE CAGE CODE DRAWING NO													
				A1 00779 C=2007435													
		WEIGHT		RESTRICTED TO													
				CUSTOMER DRAWING													
		SCALE 8:1		SHEET 7 OF 10 REV D2													

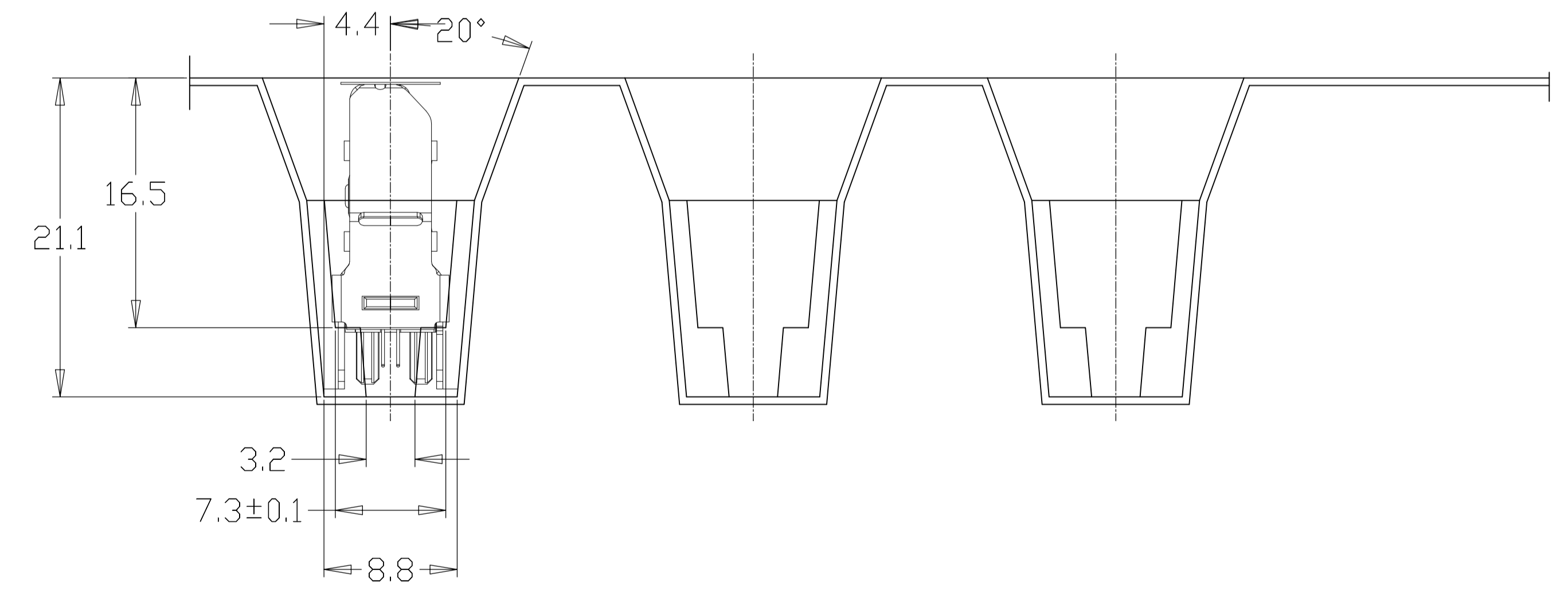
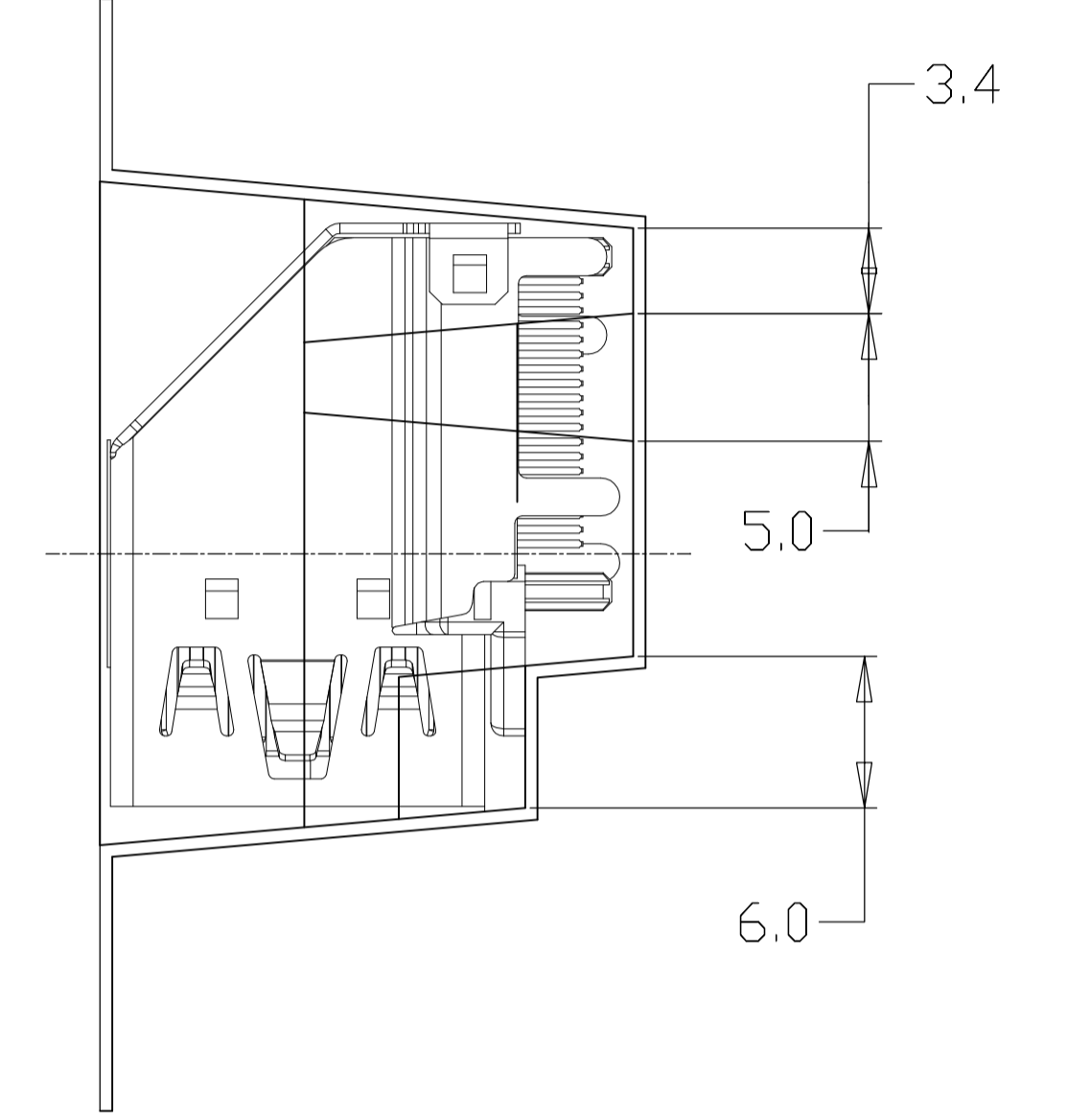
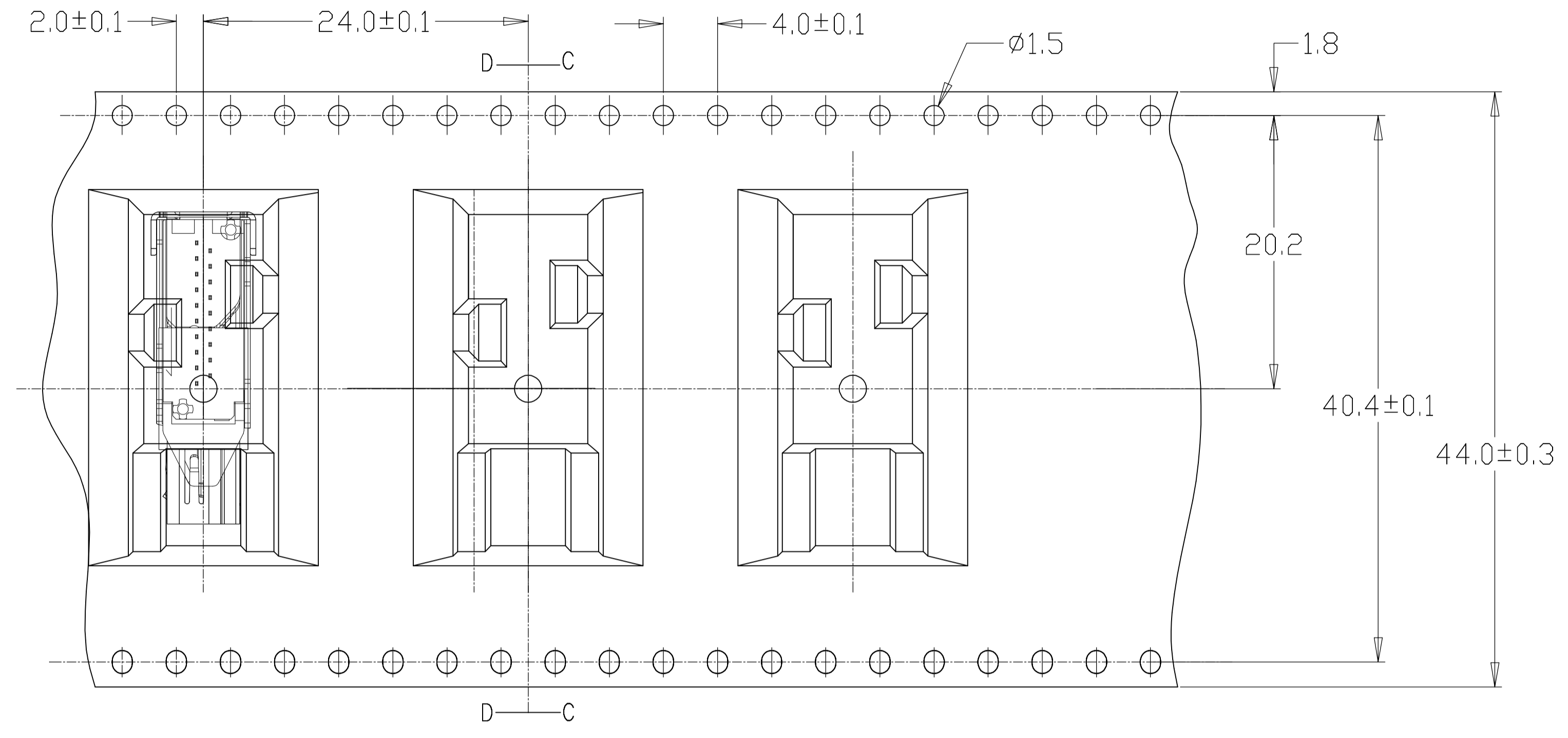
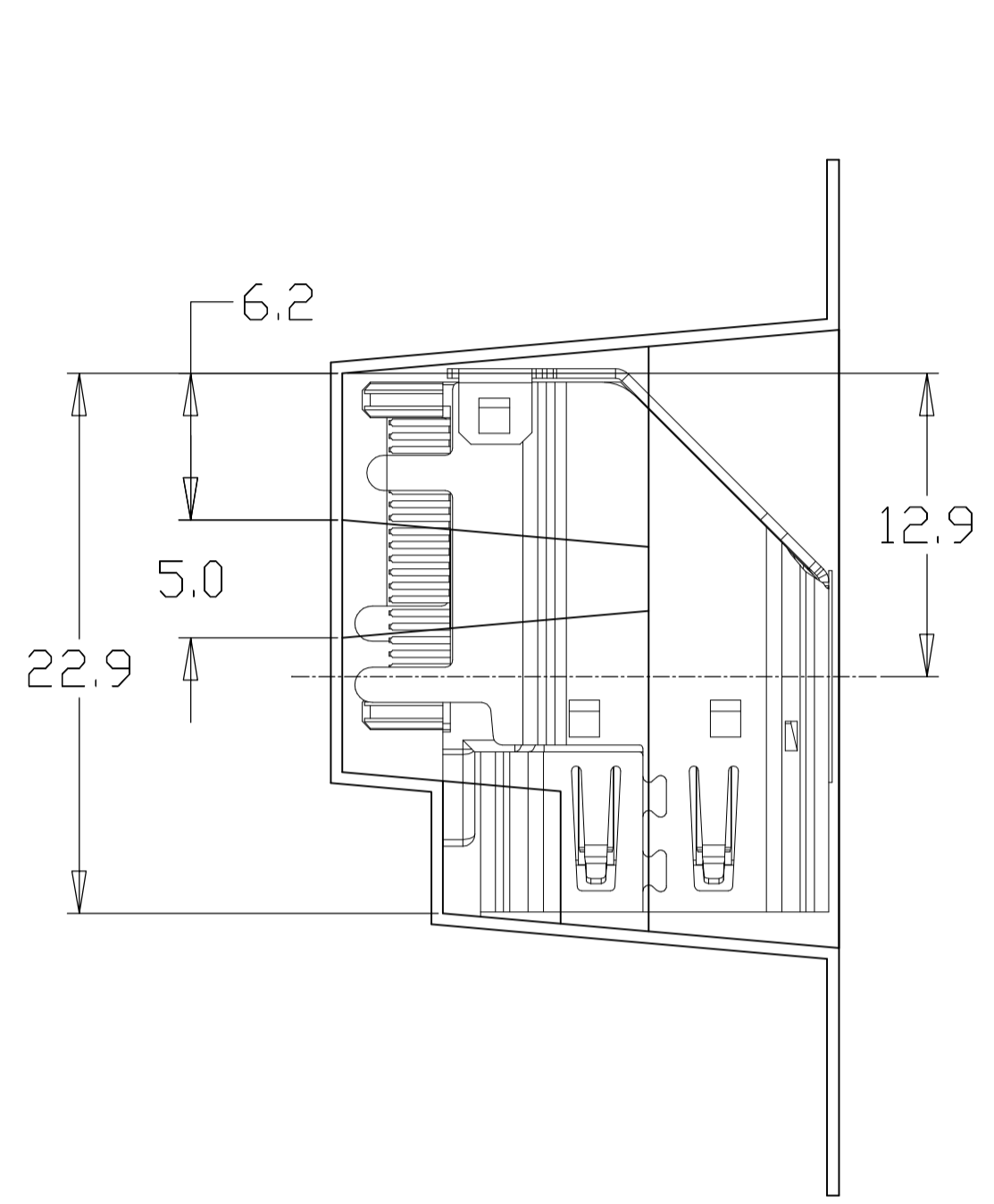
LOC		DIST		REVISIONS			
P	LTR	DESCRIPTION	DATE	DNW	APVD		
-	-	SEE SHEET 1	-	-	-	-	-



PACKAGE TRAY
FOR PART NUMBER
2007435-1,-2,-3,-4,-5
2-2007435-1

THIS DRAWING IS A CONTROLLED DOCUMENT.		DIN		STE		TE Connectivity	
DIMENSIONS: mm		TOLERANCES UNLESS OTHERWISE SPECIFIED:		NAME		HDMI FLAG CONNECTOR ASSEMBLY	
<ul style="list-style-type: none"> 0. PLC ± .1 1. PLC ± .1 2. PLC ± .1 3. PLC ± .1 4. PLC ± .1 ANGLES ± .5 		APVD		PRODUCT SPEC		RESTRICTED TO	
MATERIAL		FINISH		APPLICATION SPEC		SCALE N/A	
CUSTOMER DRAWING		WEIGHT		SIZE A1		SHEET 8 OF 10	
		DRAWING NO. 00779		DRAWING NO. 2007435		REV D2	

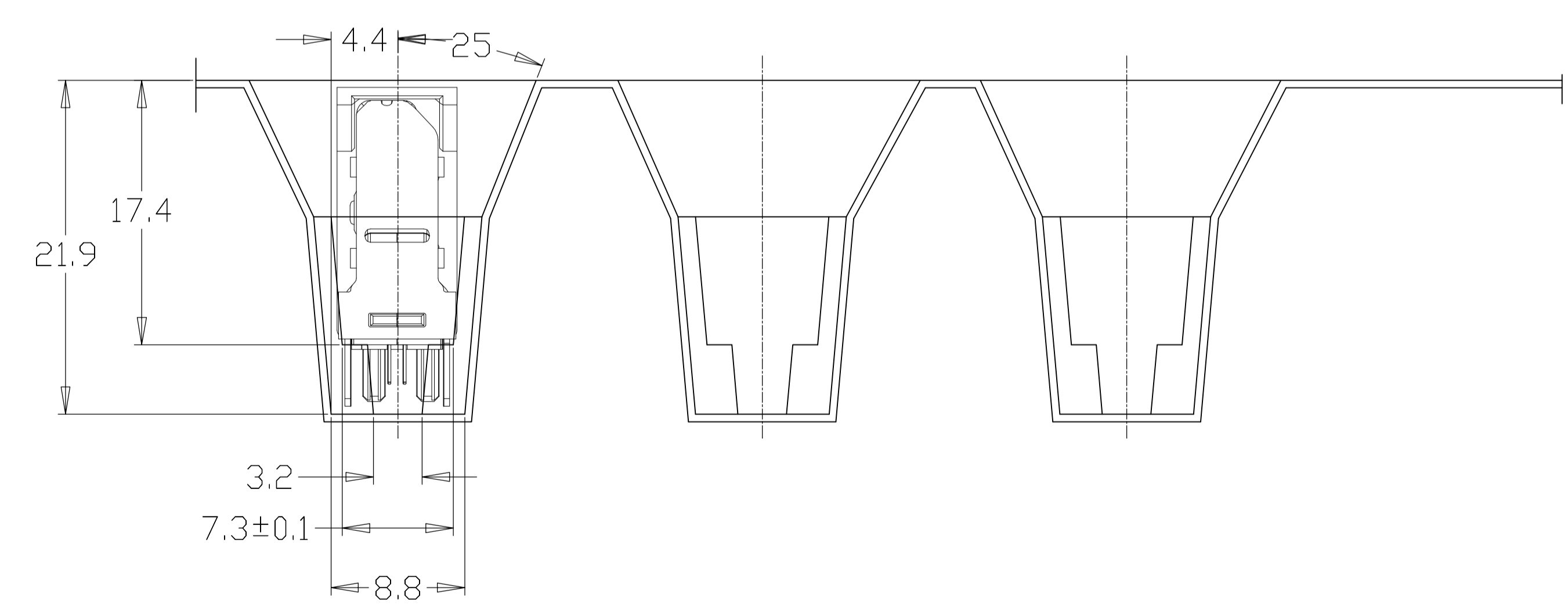
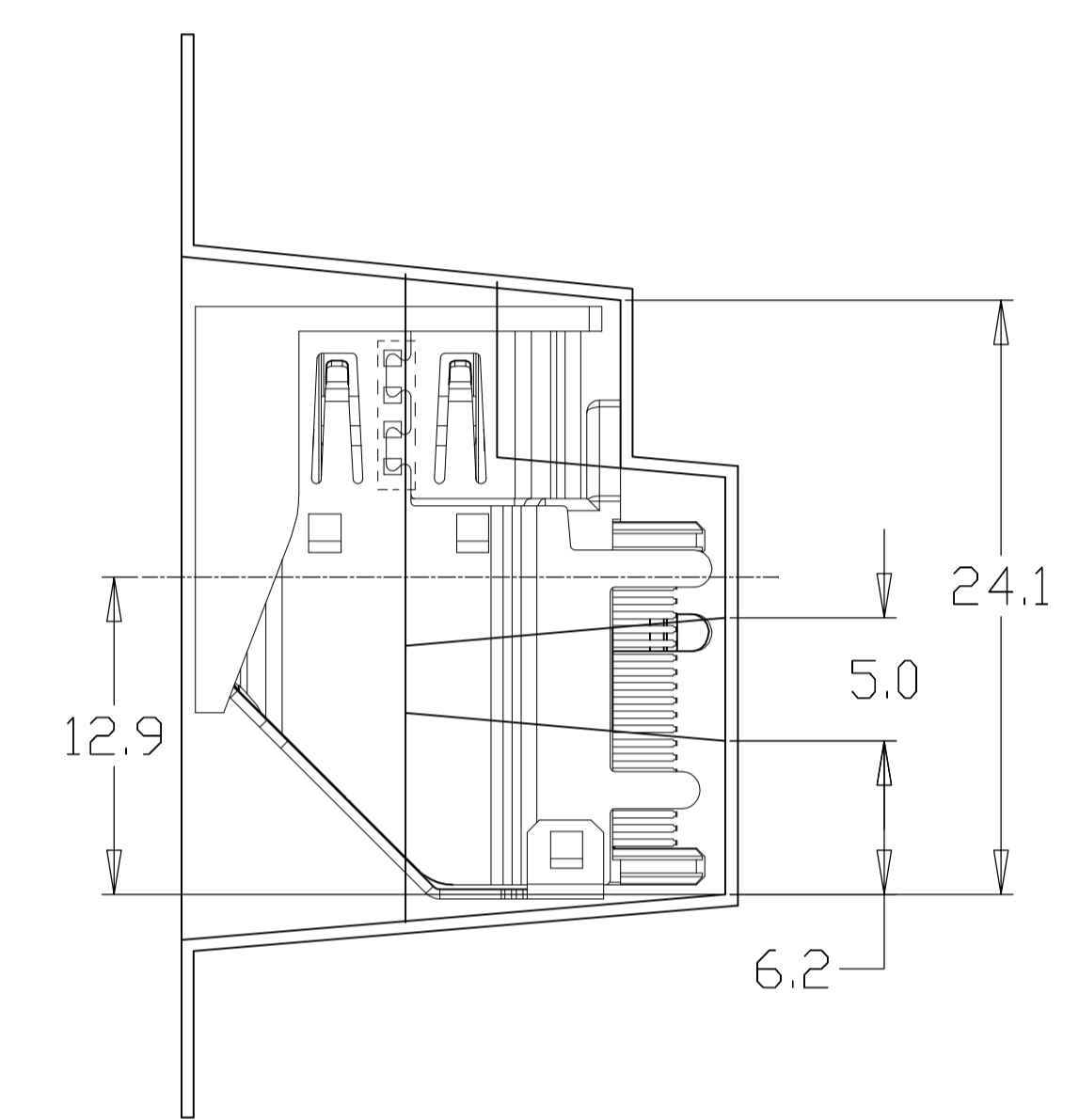
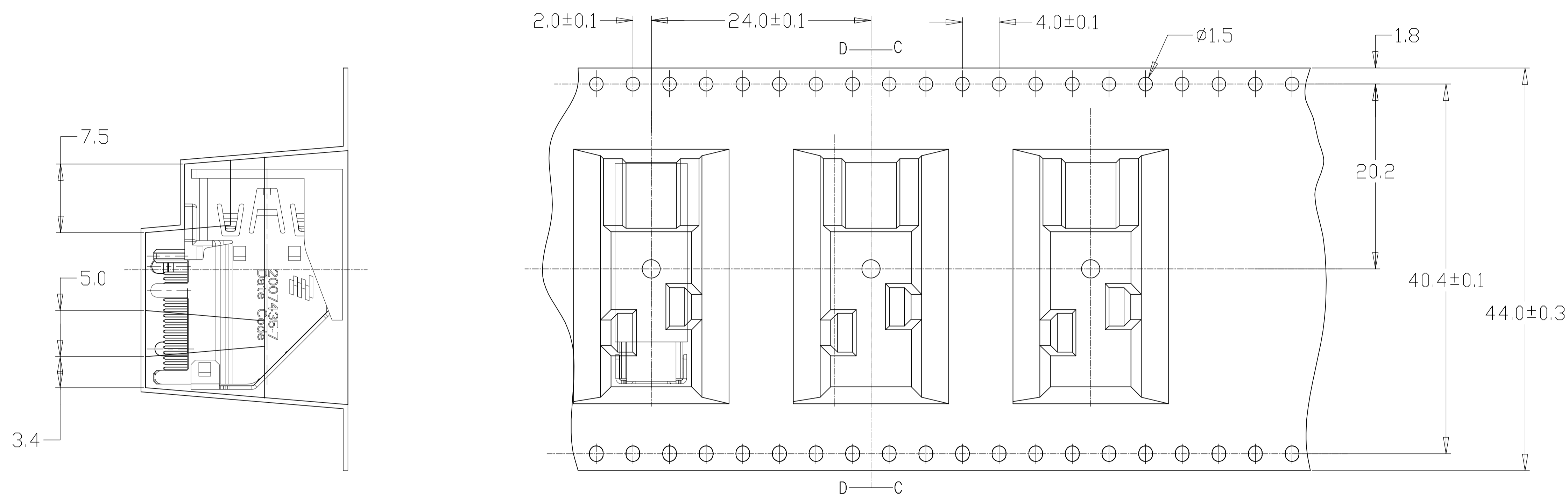
LOC		DIST		REVISIONS			
P	LTR	DESCRIPTION	DATE	DN	APVD		
-	-	SEE SHEET 1	-	-	-	-	-



EMBOSS TAPE
FOR PART NUMBER 2007435-6

THIS DRAWING IS A CONTROLLED DOCUMENT.		DIN		TE Connectivity	
DIMENSIONS: mm		CHK			
TOLERANCES UNLESS OTHERWISE SPECIFIED:		APVD		NAME	
0. PLC ± 0.3		PRODUCT SPEC		HDMI FLAG CONNECTOR ASSEMBLY	
1. PLC ± 0.15		APPLICATION SPEC		-	
2. PLC ± 0.10		WEIGHT		SIZE CAGE CODE DRAWING NO. RESTRICTED TO	
3. PLC ± 0.10		CUSTOMER DRAWING		A1 00779 C=2007435	
4. PLC ± 0.10		SCALE		SHEET 9 OF 10 REV D2	
ANGLES ± 0.10		N/A			

LOC		DIST		REVISIONS			
P	LTR	DESCRIPTION	DATE	DN	APVD		
-	-	SEE SHEET 1	-	-	-	-	-



EMBOSS TAPE
FOR PART NUMBER 2007435-7

THIS DRAWING IS A CONTROLLED DOCUMENT.		DIN		STE TE Connectivity	
DIMENSIONS: mm		CHK		NAME	
TOLERANCES UNLESS OTHERWISE SPECIFIED:		APVD		HDMI FLAG CONNECTOR ASSEMBLY	
0. PLC ± 0.3		PRODUCT SPEC		-	
1. PLC ± 0.15		APPLICATION SPEC		-	
2. PLC ± 0.10		WEIGHT		-	
3. PLC ± 0.10		CUSTOMER DRAWING		SCALE N/A SHEET 10 OF 10 REV D2	
4. PLC ± 0.10		MATERIAL		-	
ANGLES ±		FINISH		-	
SIZE		CAGE CODE		DRAWING NO	
A1		00779		C=2007435	