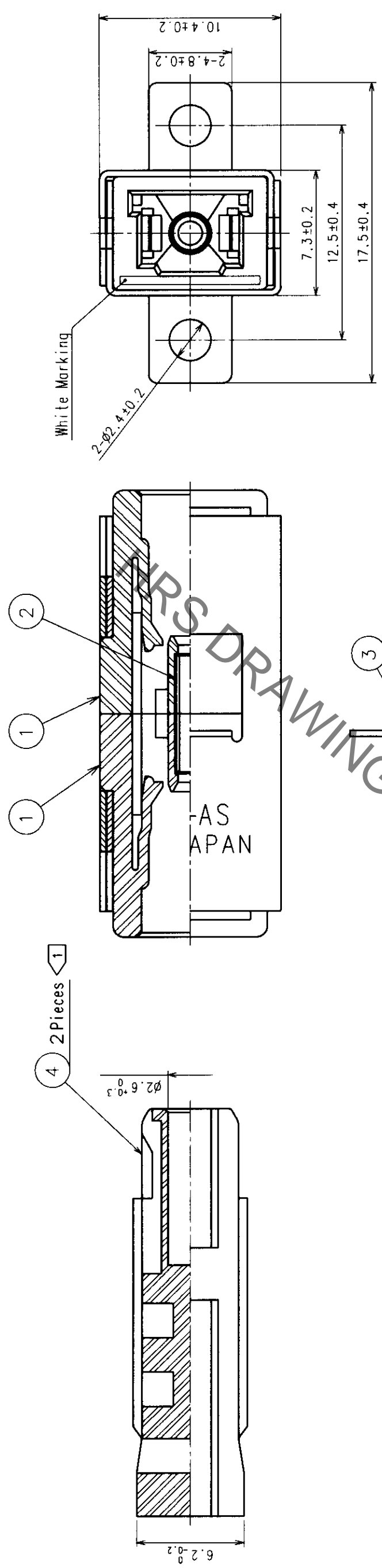


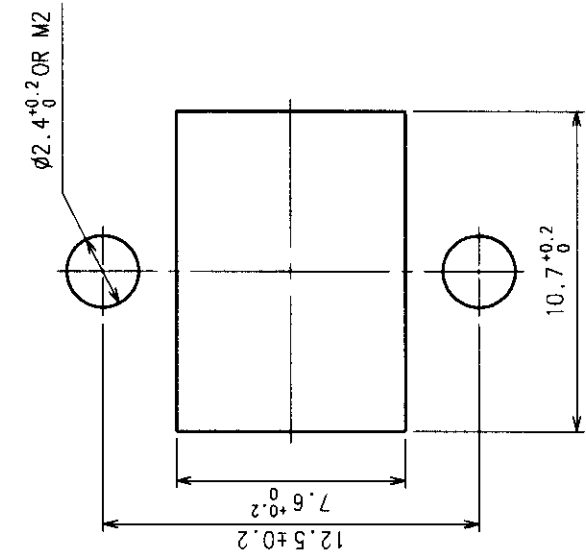
In case of consideration for using Automotive equipment / device which demand high reliability, kindly contact our sales window correspondents.

Jul.1.2019 Copyright 2019 HIROSE ELECTRIC CO., LTD. All Rights Reserved.

NO.	DESCRIPTION OF REVISIONS	BY	CHKD	DATE	COUNT	DESCRIPTION OF REVISIONS	BY	CHKD	DATE
1									
2									
3									
4									
5									
6									
7									
8									



Recommended Panel Cutout



NOTE 1 Delivered with cap installed.

NO.	MATERIAL	FINISH, REMARKS	NO.	MATERIAL	FINISH, REMARKS
2	Zirconia		4	Synthetic Resin	
1	Synthetic Resin		3	Stainless Steel	

CODE NO. (OLD)	DRAWN	DESIGNED	CHECKED	APPROVED	RELEASED
	Y. Satoh	Y. Satoh	Y. Satoh	F. Nagai	
	01.5.22	01.5.22	01.5.22	01.5.22	

DRAWING NO.	PART NO.
EDC3-172714	HMUA-AS-3

SCALE	UNITS	CODE NO.
4 : 1	ITTT	CL710-0104-0

TO	

