



IQS620AEV04 Overview

Combination sensor with dual channel capacitive proximity/touch, Hall-effect sensor and inductive sensing

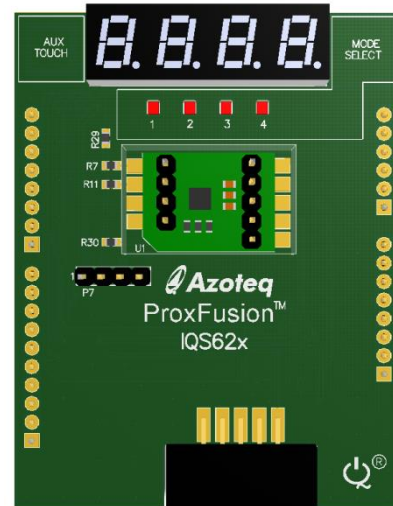
The IQS620A ProxFusion™ IC is a multifunctional capacitance, Hall-effect & inductance sensor designed for applications where any or all of the technologies may be required. The IQS620A is an ultra-low power solution designed for short or long term activations through any of the sensing channels. The IQS620A is fully I²C compatible and can be configured to output main trigger events on GPIOs.

EV-Kit Overview

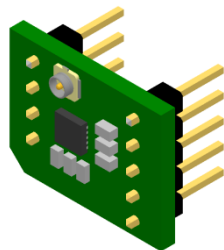
- Inductive sensing
- Hall-effect sensing
- Capacitive sensing

Evaluation Modes

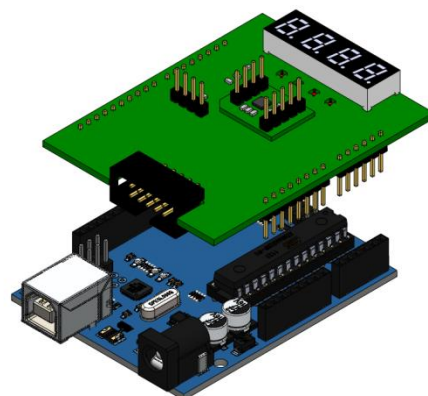
- Connect to PC GUI via CT210 USB Dongle
 - Raw info displayed in GUI
- Plug into Arduino Uno¹ or ST Nucleo¹
 - Sensor info displayed on 7-segment
 - Open source code for custom development
- Embed the small module PCB (stamp) into custom design & interface to host MCU (Additional modules sold separately as IQS620AEV01)



IQS620AEV02 Shield Board



Detachable Stamp Module



IQS620A Shield + Arduino Uno¹

Applications

- Mobile electronics (phones/tablets)
- SAR safety requirements for laptops, tablets and phones
- Wearable devices
- White goods and appliances
- Human Interface Devices
- Proximity activated backlighting
- Applications with long-term activation
- Aftermarket automotive²

¹ Sold separately

² The part is not automotive qualified