

9M RANGE UHF RFID FOR ON METAL

ART915X252503MA-IC



25.0 x 25.0 x 3.0 mm

RoHS/RoHS II Compliant

MSL = 2

FEATURES

- Long 9.0m read range
- Compatible with any material, including metal
- Passive tag requires no battery or power supply
- Suitable for applications in harsh conditions
- Wide operating temperature -40~+85
- Compliant with ISO 18000-6C/EPC Class1 Gen2
- 902 ~ 928MHz operation
- Utilizing Alien H3 RFID chipset
- Compact 25.0 x 25.0 mm footprint
- 3.0 mm height ideal for low profile requirements

APPLICATIONS

- Local asset tracking for industrial, heavy equipment, and data center applications
- Medical equipment
- Aviation equipment and tools
- Military devices and vehicles
- Oil and gas industry
- Trains and other transportation assets

STANDARD SPECIFICATIONS

| Parameters | Min. | Typ. | Max. | Units | Note |
|---------------------------------|------|------------------------------|------|-------|-----------------------------------|
| Range of Receiving Frequency | | 866 - 868 902 - 928 | | MHz | |
| Frequency of Lowest Return Loss | | 915±5 | | MHz | (Based on 150 x 150 mm GND Plane) |
| Polarization | | Linear | | | |
| IC Protocol | | ISO 18000-6C/EPC Class1 Gen2 | | | |
| Memory | | 96 EPC | | Bits | |
| | | 512 User | | Bits | |
| | | 64 TID | | Bits | |
| IC Type | | Alien H3 | | | |
| Reading Range | | 9.0 | | m | On metal, 4W EIRP |
| | | 4.5 | | m | In metal, 4W EIRP |
| Operating Temperature | -40 | | +85 | °C | |
| Application Temperature | -40 | | +150 | °C | |
| IP rate | | IP68 | | | |



1501 Hidden Creek Lane Spicewood TX 78751
 Phone: 949-546-8000 | Fax: 949-546-8001
 For terms and conditions of sales visit:
www.abracon.com

REVISED: 02/26/2019

ABRACON IS
 ISO9001-2015
 CERTIFIED

9M RANGE UHF RFID FOR ON METAL



ART915X252503MA-IC

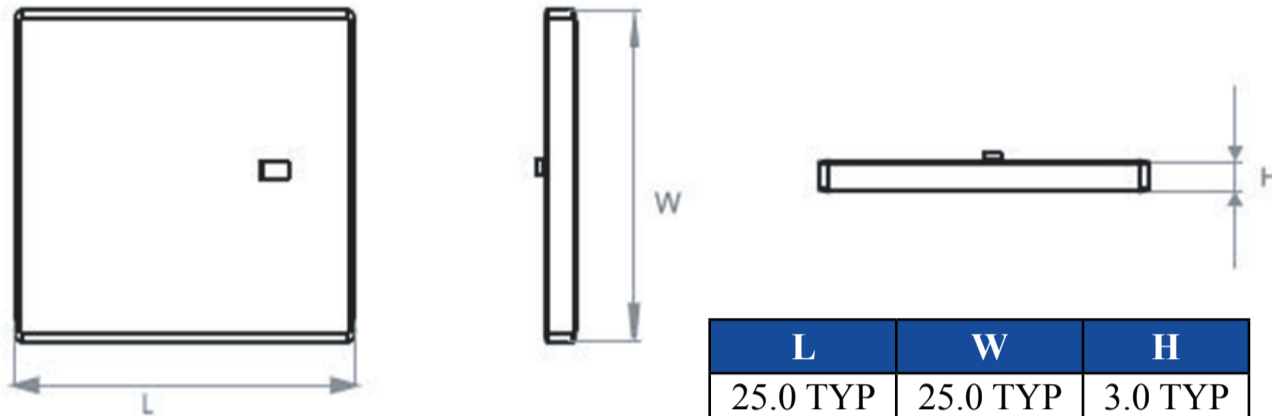
25.0 x 25.0 x 3.0 mm

 RoHS/RoHS II Compliant

MSL = 2

OUTLINE DRAWING | UNIT: mm

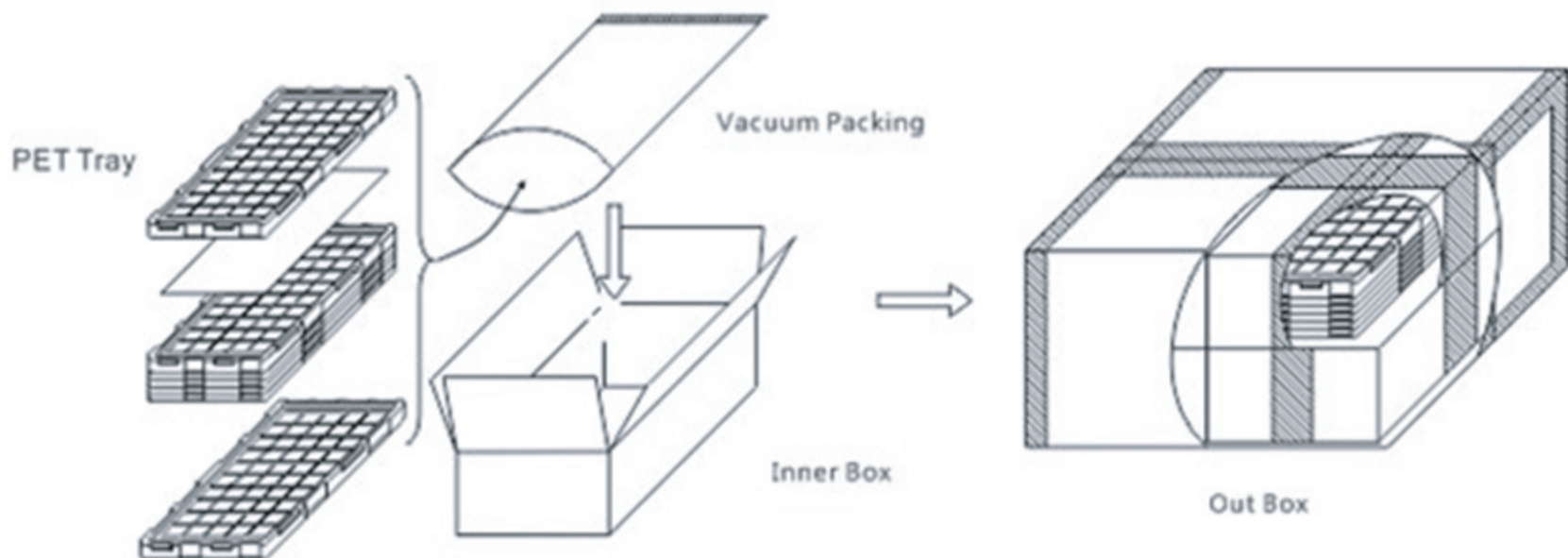
TOLERANCES ARE ± 0.2 mm, UNLESS OTHERWISE SPECIFIED



PACKAGING

200 PCS/TRAY, 4000 PCS/INNER BOX, 8000 PCS/CARTON

| Package Type | Quantity |
|--------------|-----------------|
| Tray | 50 pcs/tray |
| Inner Box | 250 pcs/box |
| Carton | 1000 pcs/carton |



1501 Hidden Creek Lane Spicewood TX 78751
 Phone: 949-546-8000 | Fax: 949-546-8001
 For terms and conditions of sales visit:
www.abracon.com

REVISED: 02/26/2019

ABRACON IS
 ISO9001-2015
 CERTIFIED

9M RANGE UHF RFID FOR ON METAL

ART915X252503MA-IC



25.0 x 25.0 x 3.0 mm



RoHS/RoHS II Compliant

MSL = 2

NOTE

1. The parts are manufactured in accordance with this specification. If other conditions and specifications which are required for this specification, please contact ABRACON for more information.
2. ABRACON will supply the parts in accordance with this specification unless we receive a written request to modify prior to an order placement.
3. In no case shall ABRACON be liable for any product failure from in appropriate handling or operation of the item beyond the scope of this specification.
4. When changing your production process, please notify ABRACON immediately.
5. ABRACON's products are COTS – Commercial-Off-The-Shelf products; suitable for Commercial, Industrial and, where designated, Automotive Applications. ABRACON's products are not specifically designed for Military, Aviation, Aerospace, Life-dependant Medical applications or any application requiring high reliability where component failure could result in loss of life and/or property. For applications requiring high reliability and/or presenting an extreme operating environment, written consent and authorization from ABRACON LLC is required. Please contact ABRACON LLC for more information.
6. All specifications and marking will be subject to change without notice.



1501 Hidden Creek Lane Spicewood TX 78751
Phone: 949-546-8000 | Fax: 949-546-8001
For terms and conditions of sales visit:
www.abracon.com

REVISED: 02/26/2019

ABRACON IS
ISO9001-2015
CERTIFIED