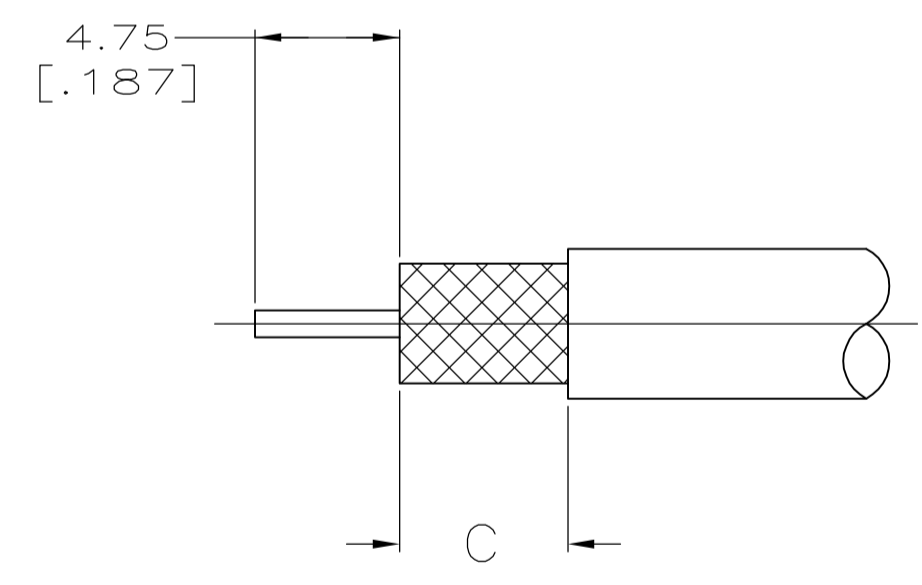
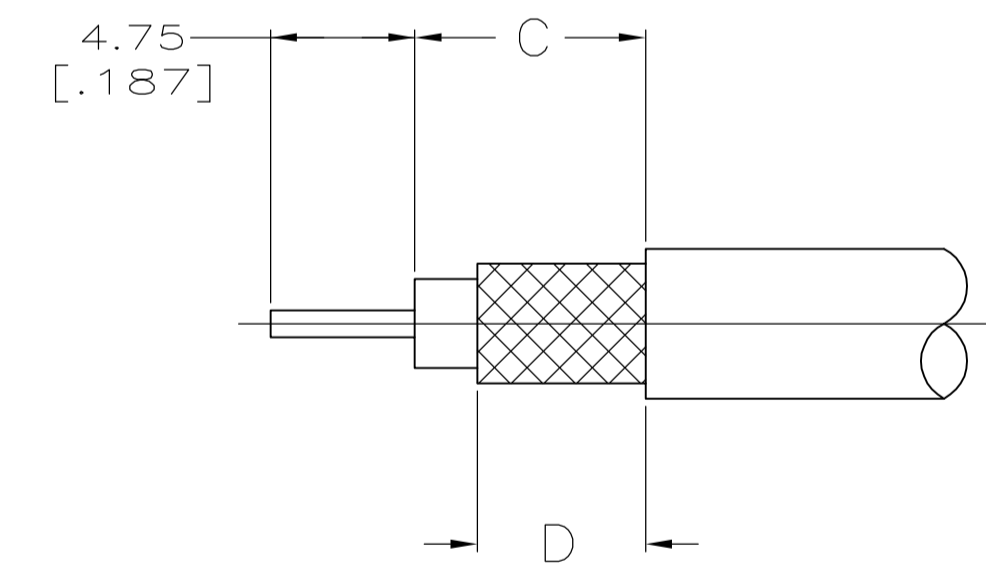
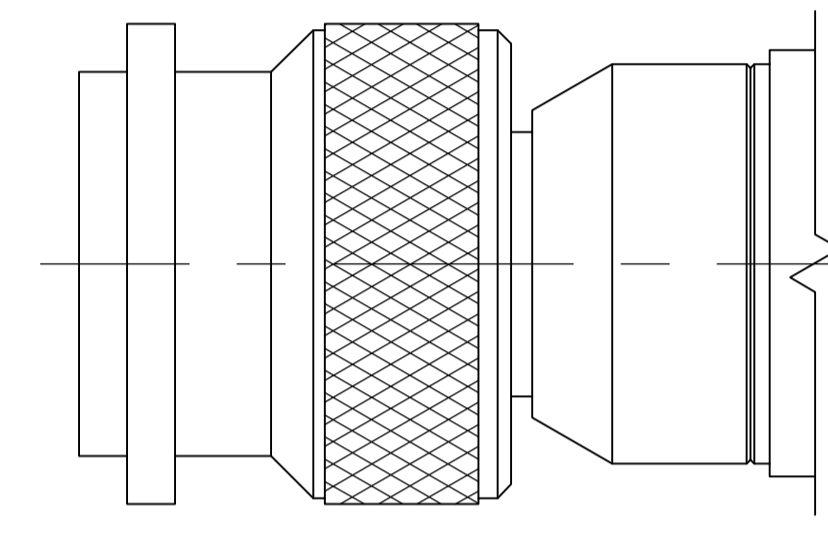
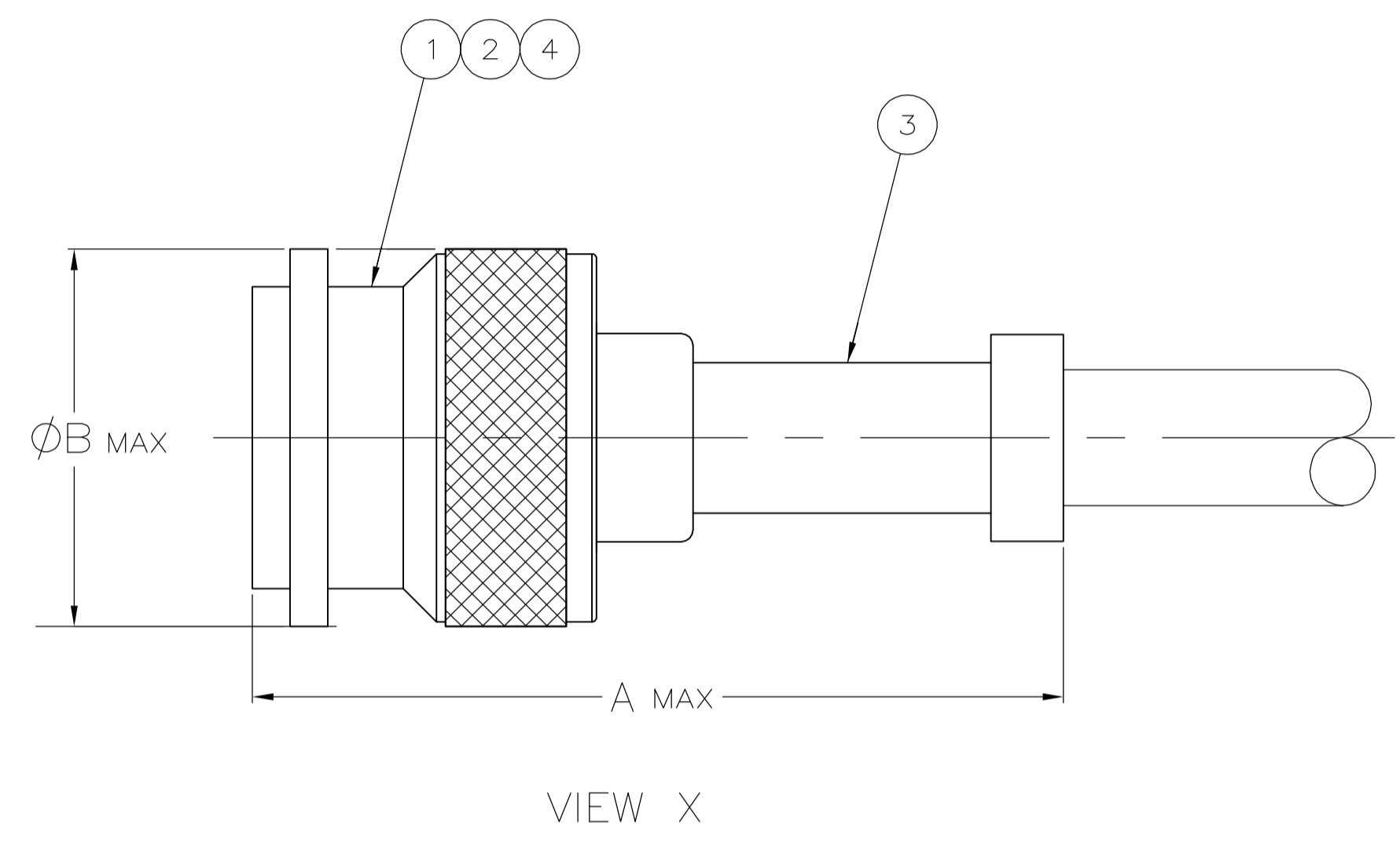


LOC		DIST		REVISIONS				
DF	XO	REV	PER	ECO	DESCRIPTION	DATE	DWN	APVD
B		REV PER	ECO	06-14894		6-23-06	CT	BM

1. USE INSTRUCTION SHEET 408-2299-1



RECOMMENDED STRIP LENGTH

RG-393/U	2	1-5225550-3 TYCO	220015-1	-	12.70 [.500]	16.26 [.640]	50.67 [1.995]	332022	1883172-1	225526-2	1883539-1	Y	1-5225550-3
RG-225/U	2	1-5225550-2 TYCO	220015-1	-	12.70 [.500]	16.26 [.640]	50.80 [2.000]	332022	1883158-1	225526-2	1883160-1	Y	1-5225550-2
CABLE SIZE	FIG	STAMPING	CRIMP TOOL	D	C	B	A	④ GASKET QTY=1	③ FERRULE QTY=1	② CONTACT QTY=1	① PLUG ASSY QTY=1	VIEW	PART NUMBER

THIS DRAWING IS A CONTROLLED DOCUMENT.

DIMENSIONS: mm [INCHES]	TOLERANCES UNLESS OTHERWISE SPECIFIED:	0 PLC ± -	1 PLC ± -	2 PLC ± -	3 PLC ± 0.41 [.016]	4 PLC ± -	ANGLES ± -	FINISH -
----------------------------	--	-----------	-----------	-----------	---------------------	-----------	------------	----------

DRW: B. MOYER	19DEC2005		Tyco Electronics Corporation Harrisburg, PA 17105-3608
CHK: C. THOMAS	21DEC2005		
APP'D: B. MOYER	19DEC2005	NAME:	PLUG, WEATHERPROOF, SERIES TNC
PRODUCT SPEC:	108-12001	APPLICATION SPEC:	
SIZE: A1	CAGE CODE: 00779	DRAWING NO: C=5225550	RESTRICTED TO: -
WEIGHT: -	CUSTOMER DRAWING	SCALE: 4:1	SHEET 1 OF 1