



OD3010 Series

DC Fan - 5V, 12V
30 x 10mm (1.18 x .39in)



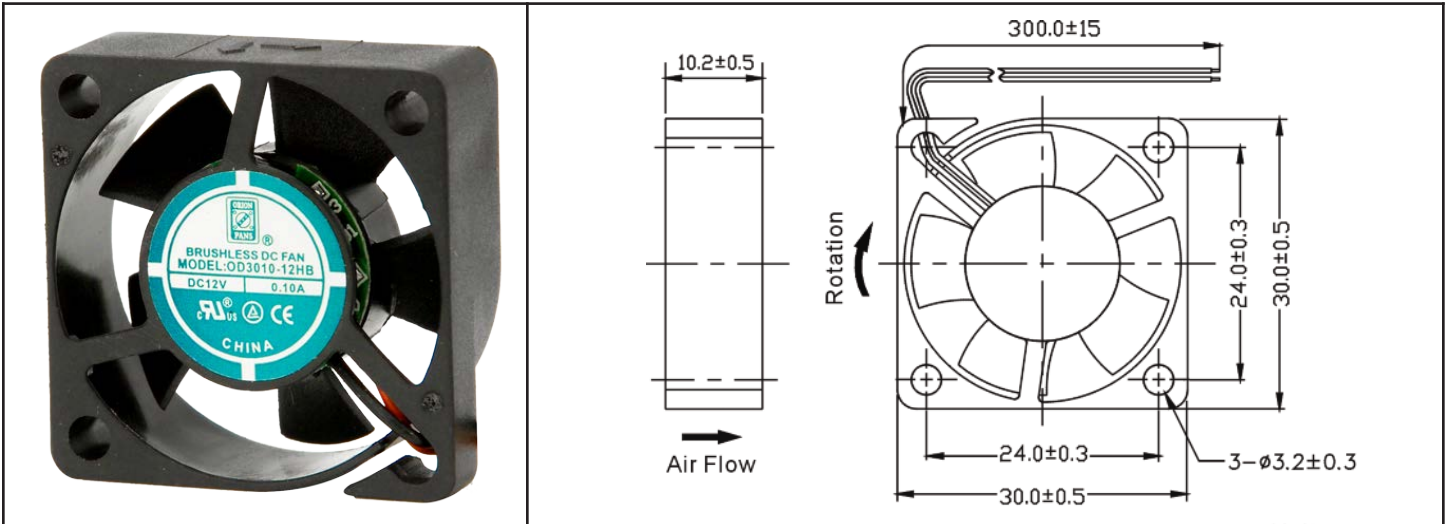
Model #	Pg #	Voltage	RPM	CFM	Noise Level	Max Static Pressure
OD3010-05H	2	5 VDC	10000	4.6	31 dB	.20 H ₂ O
OD3010-12H	2	12 VDC	10000	4.6	31 dB	.20 H ₂ O
OD3010-12M	2	12 VDC	9000	4.0	27 dB	.17 H ₂ O
OD3010-12L	2	12 VDC	8000	3.0	26 dB	.13 H ₂ O
OD3010-05MB	3	5 VDC	9000	4.0	30 dB	.17 H ₂ O
OD3010-05MB02A	4	5 VDC	9000	4.0	30 dB	.17 H ₂ O
OD3010-12MB02A	5	12 VDC	9000	4.0	27 dB	.17 H ₂ O

** For some models and part numbers, minimum order quantities may apply.

OD3010 Series



DC Fan - 5, 12V
30x10mm (1.18"x 0.39")



Frame & Impeller	PBT, UL94V-O plastic	Available Options: Tachometer Alarm <u>Life Expectancy (L10)</u> Ball - 60,000 hrs (45C) Sleeve - 30,000 hrs (45C) <u>Operating Temperature</u> Ball: -20 ~ 75C Sleeve: -10 ~ 60C Weight: ~ 0.02 lbs m4/m1	
Connection	2x Lead wires 28AWG		
Motor	Brushless DC, auto restart, impedance and polarity protected		
Bearing System	Ball bearing or Sleeve		
Insulation Resistance	10M ohm between leadwire and frame (500VDC)		
Dielectric Strength	1 second at 500 VAC, max leakage - 500 MicroAmp		
Storage Temperature	-40C ~ +80C		

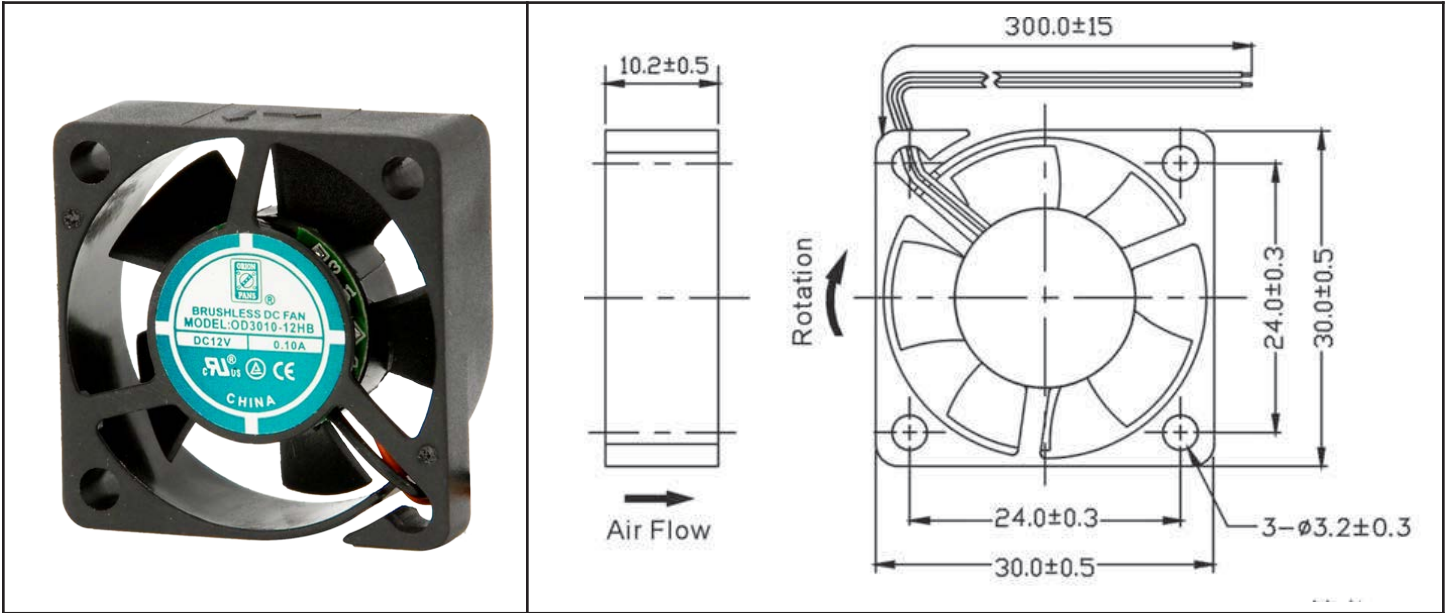
Model Number	Speed (RPM)	Airflow (CFM)	Noise (dB)	Volts DC	Voltage Range (VDC)	Amps	Max. Static Pressure ("H2O)
OD3010-05H *	10000	4.6	31	05	4.5~5.5	0.17	0.20
OD3010-12H *	10000	4.6	31	12	9~13.2	0.10	0.20
OD3010-12M *	9000	4.0	27	12	9~13.2	0.09	0.17
OD3010-12L *	8000	3.0	26	12	9~13.2	0.06	0.13

* Indicate "B" for ball bearing or "S" for sleeve bearing

OD3010-05MB



DC Fan, 05VDC
30x10mm (1.18x.39in)



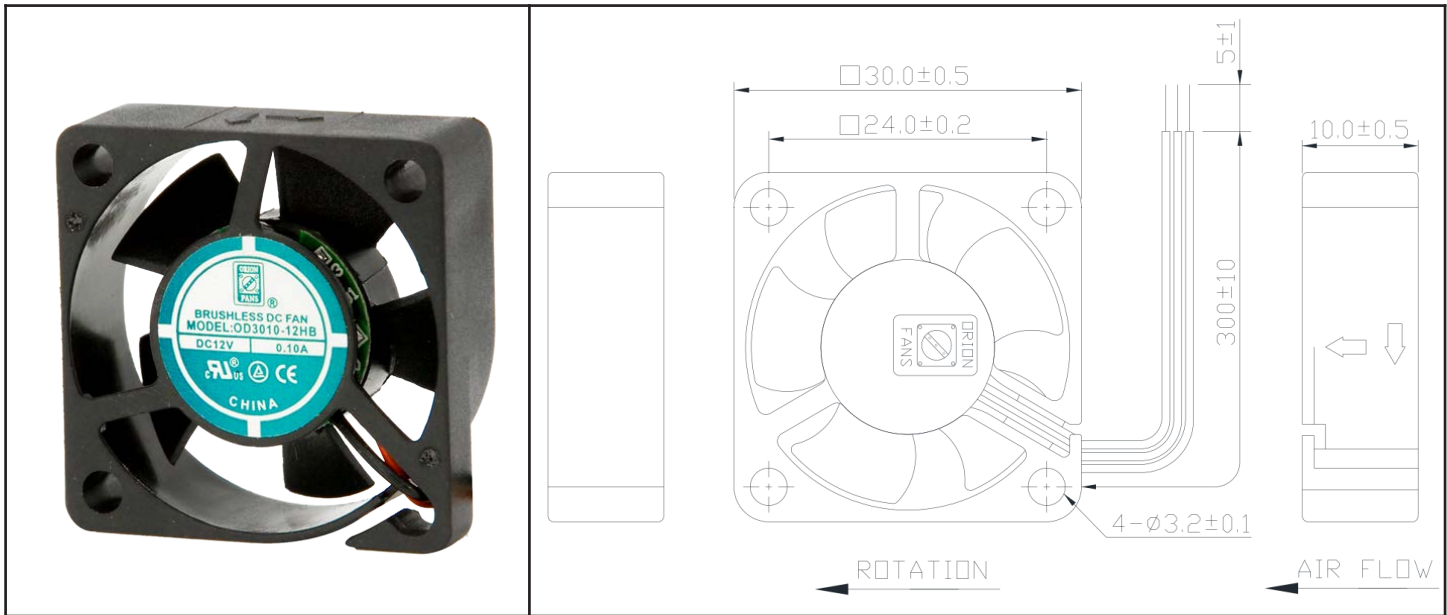
Frame & Impeller	PBT, UL94V-0 plastic	<u>Available Options</u> IP55 Other speeds and voltages Tachometer Alarm *Connection: Wire Leads - UL1007 28AWG Red(+), Black (-) Weight: 8 g	
Connection	2x Lead wires *		
Motor	Brushless DC, auto restart, polarity protected.		
Bearing System	Dual ball bearing		
Insulation Resistance	Min. 10M at 500VDC		
Dielectric Strength	1 second at 500VAC max leakage 500 microamp		
Temperature Range	-20C ~ +75C		
Storage Temperature	-40C ~ +80C		
Life (L10)	60,000 hours (40C)		

Model Number	OD3010-05MB
Part Number	130531001
Nominal Voltage	5 VDC
Voltage Range	4.5 ~ 5.5 VDC
Nominal Current	.08 A
Rated Power	.40 Watts
Rated Speed (RPM)	9000
Airflow (CFM)	4.0
Noise Level (dB)	30
Max. Static Pressure	.17 "H ₂ O

OD3010-05MB02A



DC Fan, 05VDC
30x10mm (1.18x.39in)



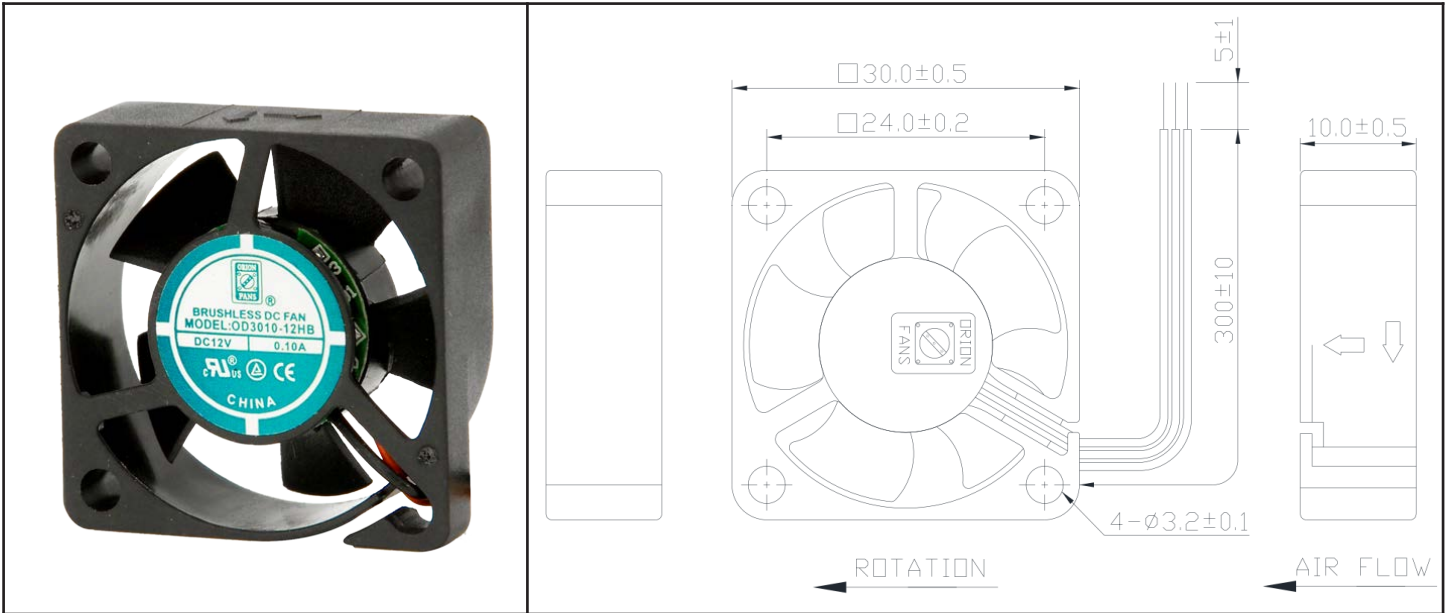
Frame & Impeller	PBT, UL94V-0 plastic	Available Options IP55 Other speeds and voltages Tachometer *Connection: Wire Leads - UL1007 28AWG Red(+), Black (-) Alarm Yellow Weight: 8 g	
Connection	3x Lead wires *		
Motor	Brushless DC, auto restart, polarity protected.		
Bearing System	Dual ball bearing		
Insulation Resistance	Min. 10M at 500VDC		
Dielectric Strength	1 second at 500VAC max leakage 500 microamp		
Temperature Range	-20C ~ +75C		
Storage Temperature	-40C ~ +80C		
Life (L10)	60,000 hours (40C)		

Model Number	OD3010-05MB02A	<p>Output of locked signal *Output type.....Open collector type *Electrical design suggestion: (External signal function design is decided by customer)</p> <p>*Transistor Q1 at "ON" position Collector current.....$I_c=10\text{mA Max}$ Saturation Voltage.....$V_{ce}=1.0\text{V Max}$ (Between Collector and Emitter at $I_c=10\text{mA}$) *Transistor Q1 at "OFF" position Release Voltage.....$V_{ce}=5.5\text{V Max}$</p> <p>*Output waveform</p>
Part Number	130531231	
Nominal Voltage	5 VDC	
Voltage Range	4.5 ~ 5.5 VDC	
Nominal Current	.08 A	
Rated Power	.40 Watts	
Rated Speed (RPM)	9000	
Airflow (CFM)	4.0	
Noise Level (dB)	30	
Max. Static Pressure	.17 "H ₂ O	

OD3010-12MB02A



DC Fan, 12VDC
30x10mm (1.18x.39in)

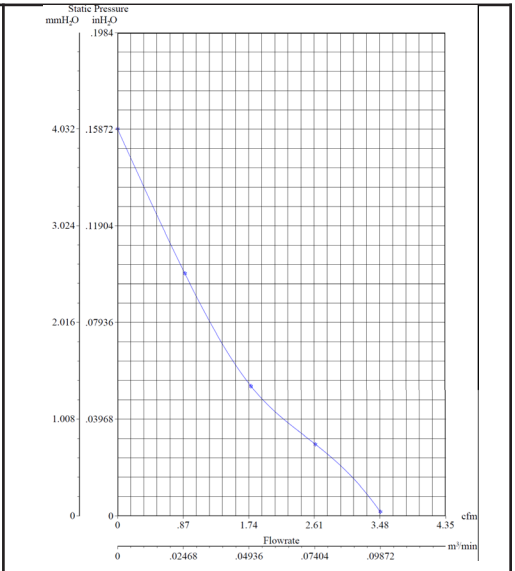


Frame & Impeller	PBT, UL94V-0 plastic
Connection	3x Lead wires *
Motor	Brushless DC, auto restart, polarity protected.
Bearing System	Dual ball bearing
Insulation Resistance	Min. 10M at 500VDC
Dielectric Strength	1 second at 500VAC max leakage 500 microamp
Temperature Range	-20C ~ +75C
Storage Temperature	-40C ~ +80C
Life (L10)	60,000 hours (40C)

Available Options
IP55
Other speeds and voltages
Tachometer

*Connection:
Wire Leads - UL1007
28AWG Red(+), Black (-)
Alarm Yellow

Weight: 8 g



Model Number	OD3010-12MB02A
Part Number	130131231
Nominal Voltage	12 VDC
Voltage Range	9 ~ 13.2 VDC
Nominal Current	.09 A
Rated Power	.84 Watts
Rated Speed (RPM)	9000
Airflow (CFM)	4.0
Noise Level (dB)	27
Max. Static Pressure	.17 "H ₂ O

Output of locked signal
*Output type.....Open collector type
*Electrical design suggestion:
(External signal function design is decided by customer)

*Transistor Q1 at "ON" position
Collector current.....I_c=5mA Max
Saturation Voltage.....V_{ce}=1.0V Max
(Between Collector and Emitter at I_c=5mA)
*Transistor Q1 at "OFF" position
Release Voltage.....V_{ce}=15V Max

*Output waveform