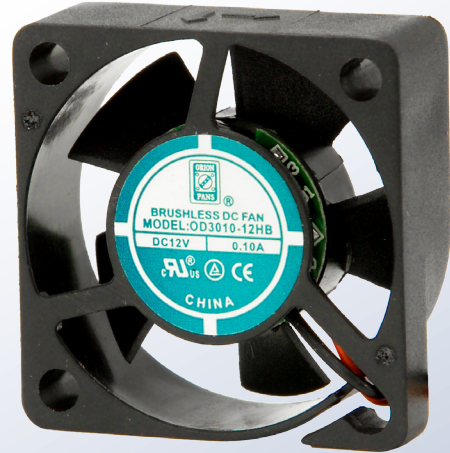




## OD3010 Series

DC Fan - 5V, 12V  
30 x 10mm (1.18 x .39in)



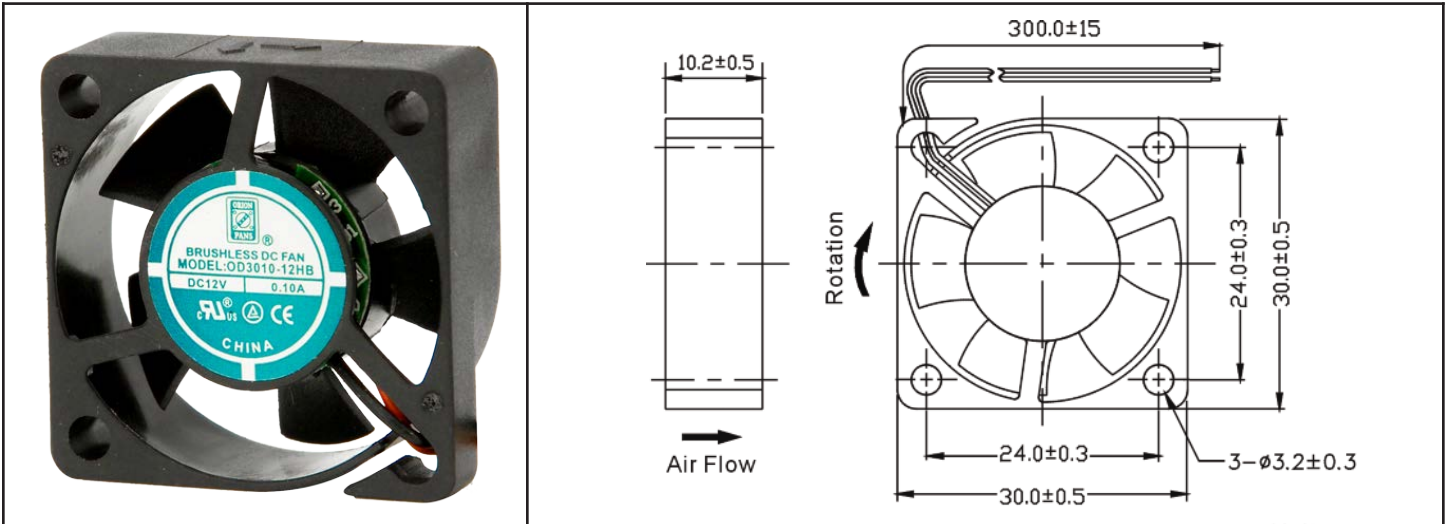
| Model #        | Pg # | Voltage | RPM   | CFM | Noise Level | Max Static Pressure  |
|----------------|------|---------|-------|-----|-------------|----------------------|
| OD3010-05H     | 2    | 5 VDC   | 10000 | 4.6 | 31 dB       | .20 H <sub>2</sub> O |
| OD3010-12H     | 2    | 12 VDC  | 10000 | 4.6 | 31 dB       | .20 H <sub>2</sub> O |
| OD3010-12M     | 2    | 12 VDC  | 9000  | 4.0 | 27 dB       | .17 H <sub>2</sub> O |
| OD3010-12L     | 2    | 12 VDC  | 8000  | 3.0 | 26 dB       | .13 H <sub>2</sub> O |
| OD3010-05MB    | 3    | 5 VDC   | 9000  | 4.0 | 30 dB       | .17 H <sub>2</sub> O |
| OD3010-05MB02A | 4    | 5 VDC   | 9000  | 4.0 | 30 dB       | .17 H <sub>2</sub> O |
| OD3010-12MB02A | 5    | 12 VDC  | 9000  | 4.0 | 27 dB       | .17 H <sub>2</sub> O |

\*\* For some models and part numbers, minimum order quantities may apply.

# OD3010 Series



DC Fan - 5, 12V  
30x10mm (1.18"x 0.39")



|                       |  |  |  |
|-----------------------|--|--|--|
| Frame & Impeller      | PBT, UL94V-O plastic   | <b>Available Options:</b><br>Tachometer Alarm<br><br>Life Expectancy (L10)<br>Ball - 60,000 hrs (45C)<br>Sleeve - 30,000 hrs (45C)<br><br>Operating Temperature<br>Ball: -20 ~ 75C<br>Sleeve: -10 ~ 60C<br><br>Weight: ~ 0.02 lbs<br><br>m4/m1 |  |
| Connection            | 2x Lead wires 28AWG  |  |  |
| Motor                 | Brushless DC, auto restart, impedance and polarity protected |  |  |
| Bearing System        | Ball bearing or Sleeve                                       |  |  |
| Insulation Resistance | 10M ohm between leadwire and frame (500VDC)                  |  |  |
| Dielectric Strength   | 1 second at 500 VAC, max leakage - 500 MicroAmp              |  |  |
| Storage Temperature   | -40C ~ +80C  |  |  |

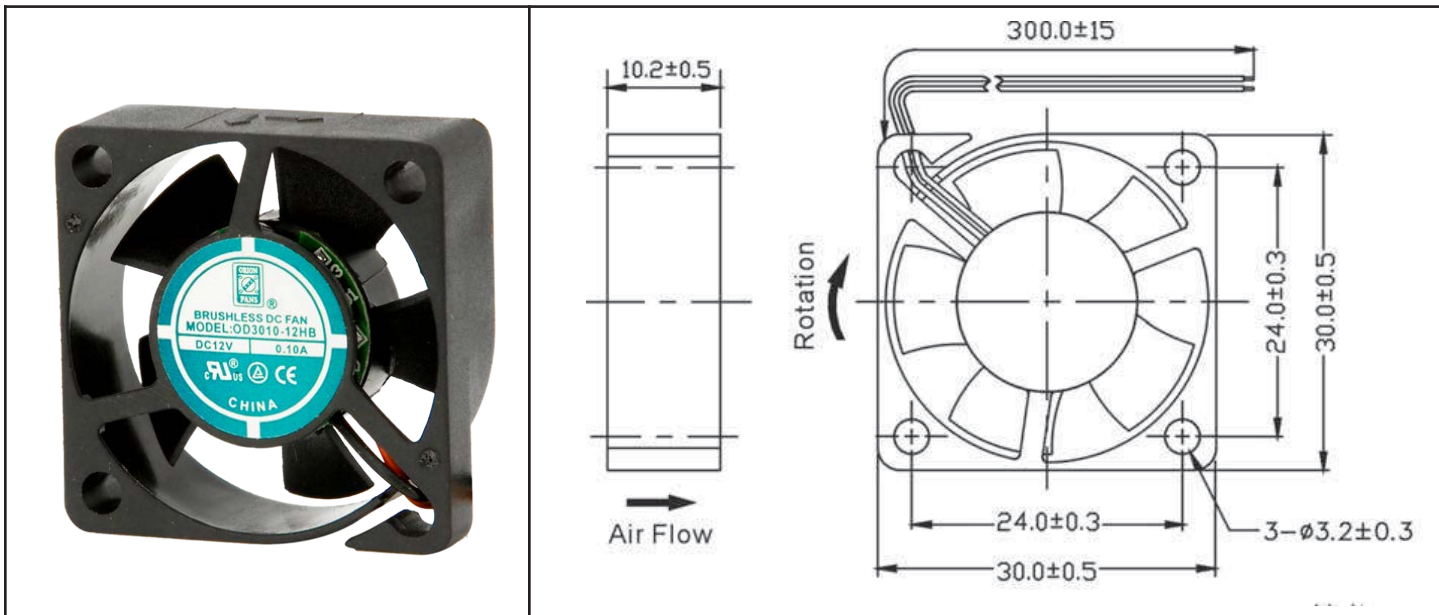
| Model Number | Speed (RPM) | Airflow (CFM) | Noise (dB) | Volts DC | Voltage Range (VDC) | Amps | Max. Static Pressure ("H2O) |
|--------------|-------------|---------------|------------|----------|---------------------|------|-----------------------------|
| OD3010-05H * | 10000       | 4.6           | 31         | 05       | 4.5~5.5             | 0.17 | 0.20                        |
| OD3010-12H * | 10000       | 4.6           | 31         | 12       | 9~13.2              | 0.10 | 0.20                        |
| OD3010-12M * | 9000        | 4.0           | 27         | 12       | 9~13.2              | 0.09 | 0.17                        |
| OD3010-12L * | 8000        | 3.0           | 26         | 12       | 9~13.2              | 0.06 | 0.13                        |

\* Indicate "B" for ball bearing or "S" for sleeve bearing

OD3010-05MB



DC Fan, 05VDC  
30x10mm (1.18x.39in)



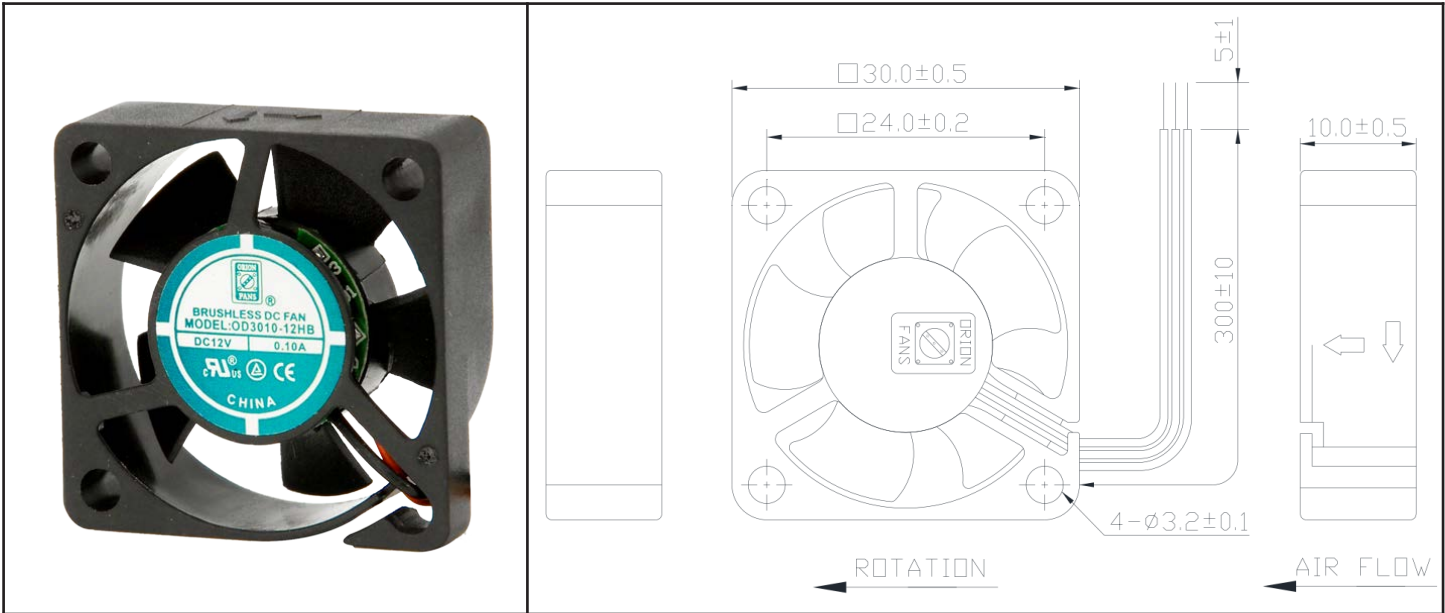
|                       |   |   |  |
|-----------------------|---|---|--|
| Frame & Impeller      | PBT, UL94V-0 plastic                            | <u>Available Options</u><br>IP55<br>Other speeds and voltages<br>Tachometer<br>Alarm<br><br>*Connection:<br>Wire Leads - UL1007<br>28AWG Red(+), Black (-)<br><br>Weight: 8 g |  |
| Connection            | 2x Lead wires *                                 |   |  |
| Motor                 | Brushless DC, auto restart, polarity protected. |   |  |
| Bearing System        | Dual ball bearing                               |   |  |
| Insulation Resistance | Min. 10M at 500VDC                              |   |  |
| Dielectric Strength   | 1 second at 500VAC max leakage 500 microamp     |   |  |
| Temperature Range     | -20C ~ +75C                                     |   |  |
| Storage Temperature   | -40C ~ +80C                                     |   |  |
| Life (L10)            | 60,000 hours (40C)                              |   |  |

|                      |                       |
|----------------------|-----------------------|
| Model Number         | OD3010-05MB           |
| Part Number          | 130531001             |
| Nominal Voltage      | 5 VDC                 |
| Voltage Range        | 4.5 ~ 5.5 VDC         |
| Nominal Current      | .08 A                 |
| Rated Power          | .40 Watts             |
| Rated Speed (RPM)    | 9000                  |
| Airflow (CFM)        | 4.0                   |
| Noise Level (dB)     | 30                    |
| Max. Static Pressure | .17 "H <sub>2</sub> O |

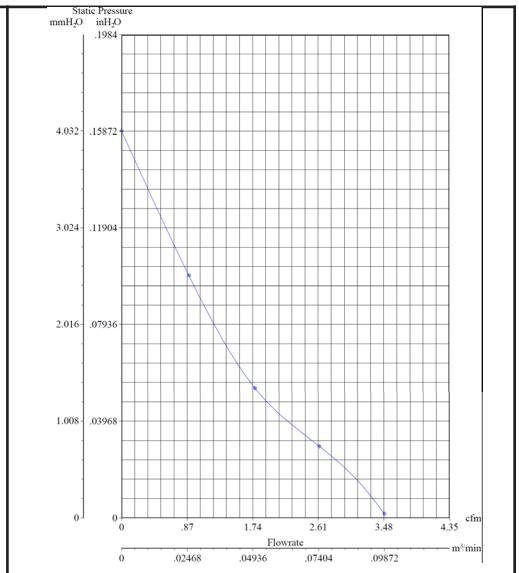
# OD3010-05MB02A



DC Fan, 05VDC  
30x10mm (1.18x.39in)



|                       |   |  |
|-----------------------|---|--|
| Frame & Impeller      | PBT, UL94V-0 plastic                            | <b>Available Options</b><br>IP55<br>Other speeds and voltages<br>Tachometer<br><br>*Connection:<br>Wire Leads - UL1007<br>28AWG Red(+), Black (-)<br>Alarm Yellow<br><br>Weight: 8 g |
| Connection            | 3x Lead wires *                                 |  |
| Motor                 | Brushless DC, auto restart, polarity protected. |  |
| Bearing System        | Dual ball bearing                               |  |
| Insulation Resistance | Min. 10M at 500VDC                              |  |
| Dielectric Strength   | 1 second at 500VAC max leakage 500 microamp     |  |
| Temperature Range     | -20C ~ +75C                                     |  |
| Storage Temperature   | -40C ~ +80C                                     |  |
| Life (L10)            | 60,000 hours (40C)                              |  |



|                      |                       |
|----------------------|-----------------------|
| Model Number         | OD3010-05MB02A        |
| Part Number          | 130531231             |
| Nominal Voltage      | 5 VDC                 |
| Voltage Range        | 4.5 ~ 5.5 VDC         |
| Nominal Current      | .08 A                 |
| Rated Power          | .40 Watts             |
| Rated Speed (RPM)    | 9000                  |
| Airflow (CFM)        | 4.0                   |
| Noise Level (dB)     | 30                    |
| Max. Static Pressure | .17 "H <sub>2</sub> O |

Output of locked signal  
 \*Output type.....Open collector type  
 \*Electrical design suggestion:  
 (External signal function design is decided by customer)

\*Transistor Q1 at "ON" position  
 Collector current.....I<sub>c</sub>=10mA Max  
 Saturation Voltage.....V<sub>ce</sub>=1.0V Max  
 (Between Collector and Emitter at I<sub>c</sub>=10mA)  
 \*Transistor Q1 at "OFF" position  
 Release Voltage.....V<sub>ce</sub>=5.5V Max

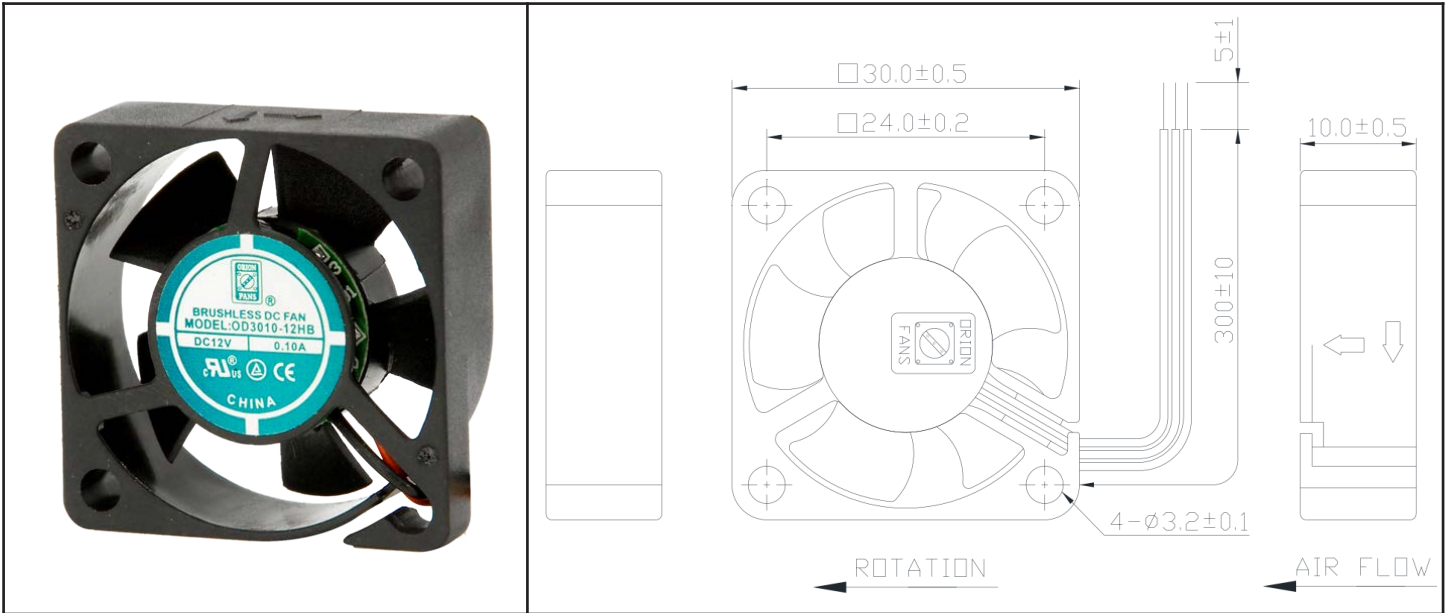
\*Output waveform



# OD3010-12MB02A

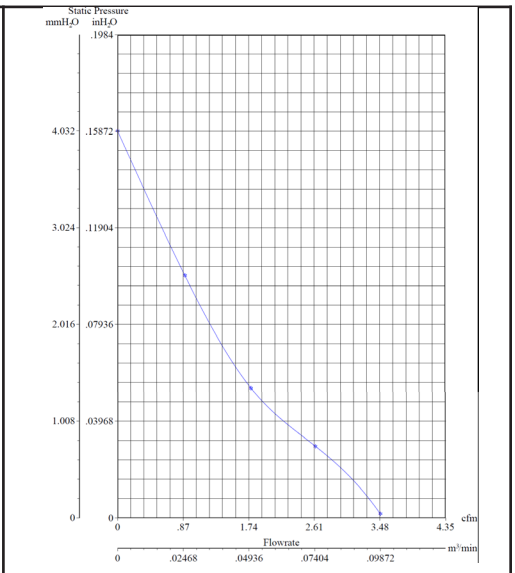


DC Fan, 12VDC  
30x10mm (1.18x.39in)



|                       |   |
|-----------------------|---|
| Frame & Impeller      | PBT, UL94V-0 plastic                            |
| Connection            | 3x Lead wires *                                 |
| Motor                 | Brushless DC, auto restart, polarity protected. |
| Bearing System        | Dual ball bearing                               |
| Insulation Resistance | Min. 10M at 500VDC                              |
| Dielectric Strength   | 1 second at 500VAC max leakage 500 microamp     |
| Temperature Range     | -20C ~ +75C                                     |
| Storage Temperature   | -40C ~ +80C                                     |
| Life (L10)            | 60,000 hours (40C)                              |

|                   |  |
|-------------------|--|
| Available Options | IP55<br>Other speeds and voltages<br>Tachometer                |
| *Connection:      | Wire Leads - UL1007<br>28AWG Red(+), Black (-)<br>Alarm Yellow |
| Weight:           | 8 g  |



|                      |                       |
|----------------------|-----------------------|
| Model Number         | OD3010-12MB02A        |
| Part Number          | 130131231             |
| Nominal Voltage      | 12 VDC                |
| Voltage Range        | 9 ~ 13.2 VDC          |
| Nominal Current      | .09 A                 |
| Rated Power          | .84 Watts             |
| Rated Speed (RPM)    | 9000                  |
| Airflow (CFM)        | 4.0                   |
| Noise Level (dB)     | 27                    |
| Max. Static Pressure | .17 "H <sub>2</sub> O |

Output of locked signal  
\*Output type.....Open collector type  
\*Electrical design suggestion:  
(External signal function design is decided by customer)

\*Transistor Q1 at "ON" position  
Collector current.....I<sub>c</sub>=5mA Max  
Saturation Voltage.....V<sub>ce</sub>=1.0V Max  
(Between Collector and Emitter at I<sub>c</sub>=5mA)  
\*Transistor Q1 at "OFF" position  
Release Voltage.....V<sub>ce</sub>=15V Max

\*Output waveform

