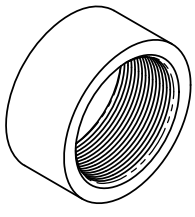


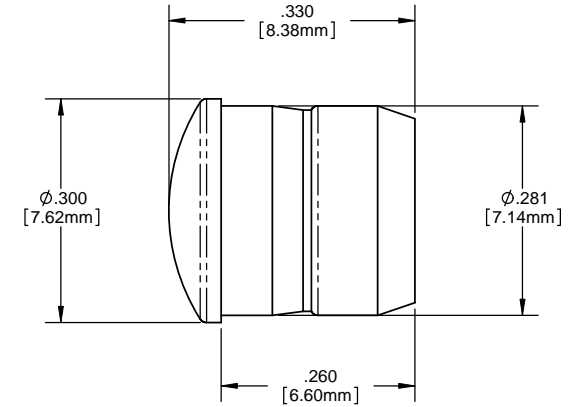
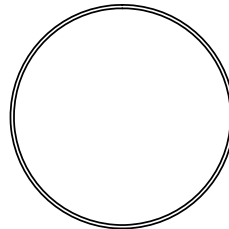
- NOTES:
1. MOUNTING: Mounts in a $\phi .281 \pm .002$ [$\phi 7.13\text{mm} \pm .05$] panel hole on $.375$ [9.5mm] centers. Panel thickness $.031$ [0.8mm] to $.250$ [6.35mm]. Panel hole should be deburred, but not chamfered.
 2. ASSEMBLY: Insert lens through panel hole, slide RNG 268 retainer on back of lens. PCB mounted LEDs slide into lens when the panel cover is closed or the PCB card is inserted into the case.
 3. MATERIAL: Polycarbonate, UL 94-V2
 4. U.S. & Foreign Pat. Issued & Pend.

REVISIONS				
ECN#	REV.	DESCRIPTION	DATE	INITIALS
	001	REVISED PER ECR111009AZ01	4-23-10	SMU

RETAINER
(ORDER SEPARATELY)



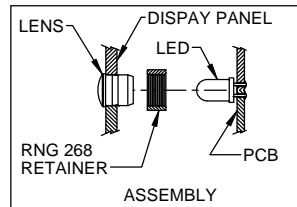
RNG 268



ORDERING CODE : **CMC 321 XXX**

MODEL

LENS COLOR	
RTP	RED TRANSPARENT
ATP	AMBER TRANSPARENT
GTP	GREEN TRANSPARENT
BTP	BLUE TRANSPARENT
YTP	YELLOW TRANSPARENT
CTP	CLEAR TRANSPARENT



<small>UNLESS OTHERWISE SPECIFIED DIMENSIONS ARE IN INCHES</small> ANGLES DECIMALS ± 1 .X $\pm .020$.XXX $\pm .010$ FINISH XXX $\pm .005$ BREAK ALL CORNERS AND SHARP EDGES 90° MIN	MATERIAL POLYCARBONATE, UL 94-V2	VISUAL COMMUNICATIONS COMPANY, INC. <small>190 Bosstick Boulevard, Suite 101 San Marcos, CA 92069 USA Phone (760) 560-1300 Fax (760) 560-1301 email vccsales@vccite.com</small>	
	FINISH SEE NOTES	TITLE: 5MM ROUND FRESNEL LOW PROFILE LENS	
<small>THIRD ANGLE PROJECTION</small> 	APPROVAL	DATE	SIZE DWG. NO.
<small>THE INFORMATION CONTAINED IN THIS DRAWING IS THE SOLE PROPERTY OF VISUAL COMMUNICATIONS COMPANY, INC. AND IS LOANED TO YOU BY THE COMPANY. IT IS TO BE USED ONLY FOR THE PURPOSES SPECIFIED IN THE ORDER. REPRODUCTION IN ANY MANNER WITHOUT THE WRITTEN CONSENT OF VISUAL COMMUNICATIONS COMPANY, INC. IS PROHIBITED.</small>	DRAWN: SMU	4-23-10	B CMC 321 XXX
	CHECKED: DZ	4-23-10	REV 001
DO NOT SCALE DRAWING		SCALE: 1:1	SHEET 1 OF 1