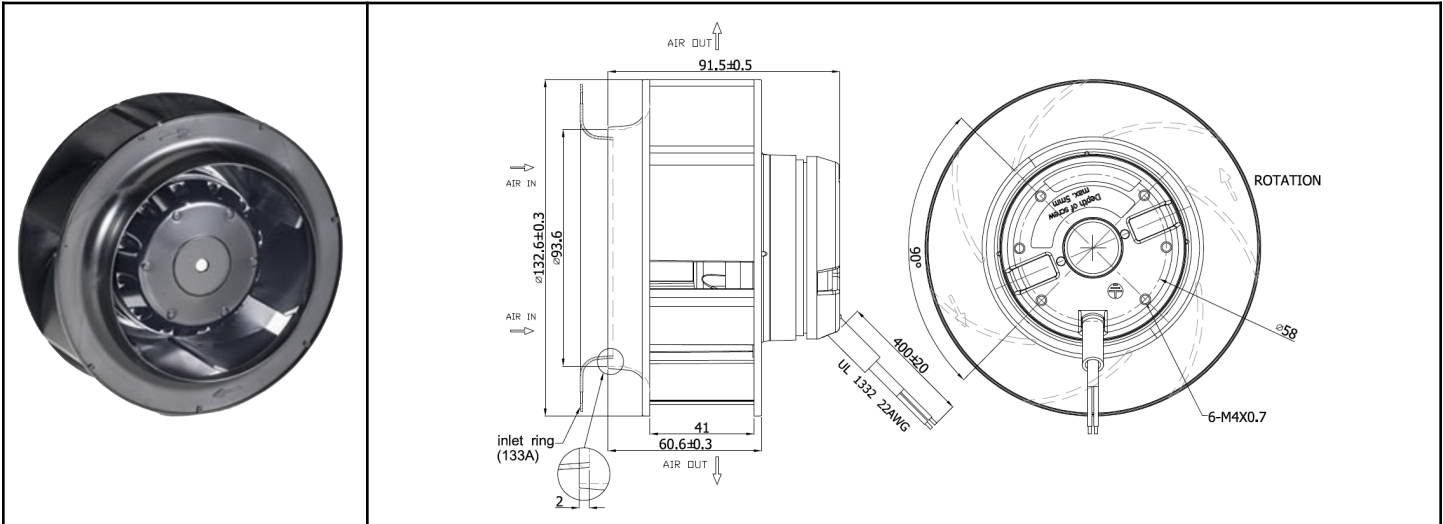


OAB13391 Series



AC Blower, ball bearing
133x91 (5.24"x 3.62")



| | | | |
|----------------------------------|--------------------------------------------------------------|-----------------------------------------------------------------------------------------------------------------------------------------------------------------------------------------------------------------------------------------------------------------------------------------------|-----------------------------------|
| Backwards Curved Impeller | | <u>Insulation Housing:</u> AC1500V / 1 minute <u>Insulation Resistance:</u> > 100 M ohms DC500V <u>Operating Temperature</u> -40 C ~ +60C <u>Life Expectancy</u> 40,000 hours (L10, 40C) Ball bearing IP55 Rated Weight 2.65 lbs. m2 | <p>Blue = 60Hz Red = 50Hz</p> |
| Frame & Impeller | Frame - Diecast aluminum Impeller - UL94V-O Thermoplastic | | |
| Connection | Lead Wires | | |
| Motor | AC, shaded pole, thermally protected | | |
| Bearing System | Dual Ball | | |

| Part Number | OAB13391-11-1WB | OAB13391-22-1WB |
|------------------------|-----------------------------|-----------------------------|
| Nominal Voltage | 115 VAC (50/60 Hz) | 230 VAC (50/60 Hz) |
| Nominal Current (Amps) | 0.50 / 0.43 | 0.24 / 0.21 |
| Locked Current (Amps) | 0.83 / 0.72 | 0.39 / 0.34 |
| Rated Power | 42 / 41 W | 40 / 39 W |
| Rated Speed (RPM) | 2780 / 3200 | 2780 / 3200 |
| Airflow (CFM) | 165 / 188 | 165 / 188 |
| Noise Level (dB) | 56 / 60 | 56 / 60 |
| Max. Static Pressure | .65 / .88" H ₂ O | .65 / .88" H ₂ O |