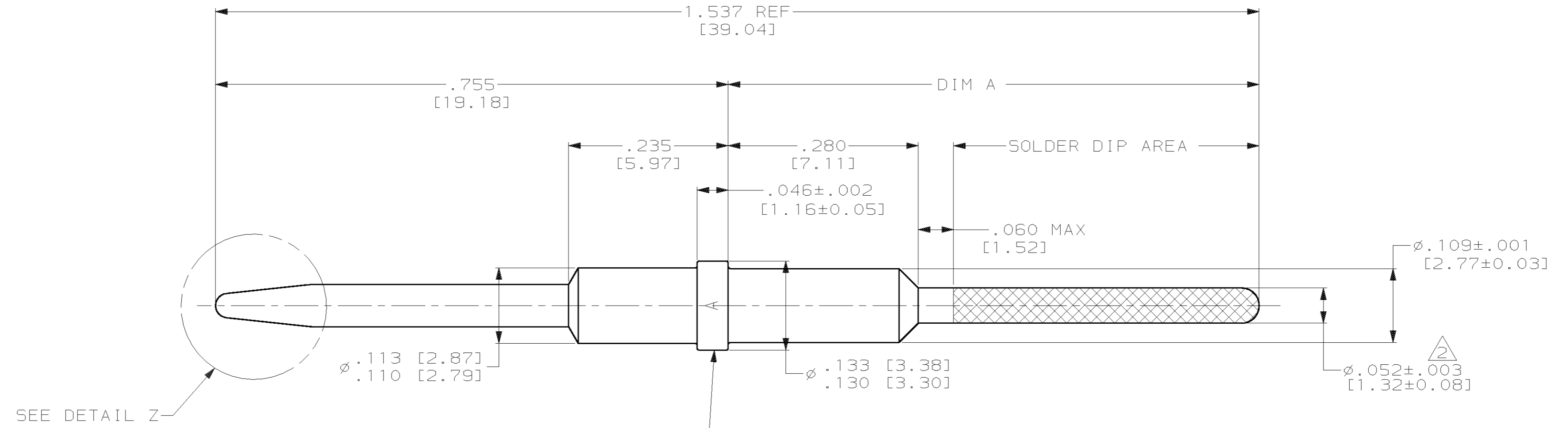


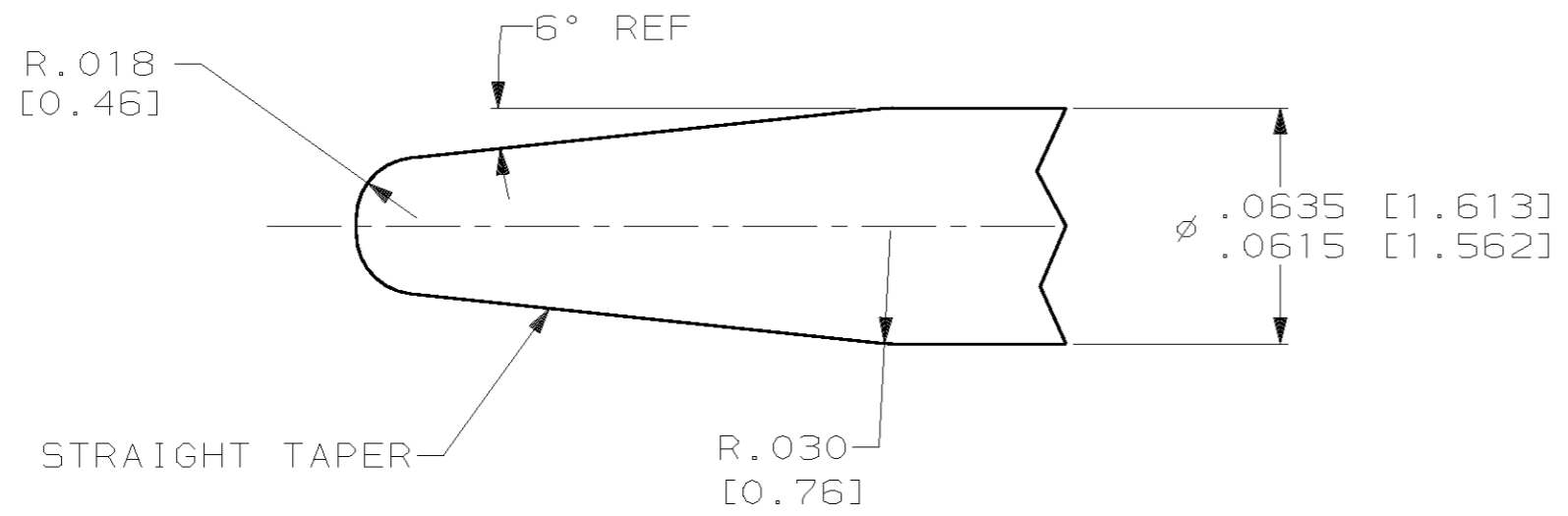
THIS DRAWING IS UNPUBLISHED. RELEASED FOR PUBLICATION  
 BY AMP INCORPORATED, ALL RIGHTS RESERVED.

| LOC |     | DIST                 |         | REVISIONS |      |  |  |
|-----|-----|----------------------|---------|-----------|------|--|--|
| P   | LTR | DESCRIPTION          | DATE    | DWN       | APVD |  |  |
| B   |     | REV PER 063D-0517-03 | 9-11-03 | JMK       | SG   |  |  |

- 1. FOR USE IN ARINC 600 REAR RELEASE INSERT.
- 2. DIMENSIONS APPLY BEFORE SOLDER DIP.



MAT'L: LEADED COPPER PER ASTM-B-301  
 FINISH: PLATED GOLD .000050 [0.0012] MIN THK  
 PER ASTM-B-488 OVER NICKEL .000050 [0.0012]  
 MIN THK. PER QQ-N-290



|              |            |             |
|--------------|------------|-------------|
| .522 [13.26] | NO         | 1-1663128-0 |
| .652 [16.56] | NO         | 1663128-8   |
| .635 [16.13] | YES        | 1663128-6   |
| .635 [16.13] | NO         | 1663128-5   |
| .782 [19.86] | YES        | 1663128-3   |
| .782 [19.86] | NO         | 1663128-2   |
| DIM A        | SOLDER DIP | PART NUMBER |

|   |  |                     |               |                 |   |
|---|--|---------------------|---------------|-----------------|---|
| THIS DRAWING IS A CONTROLLED DOCUMENT.  |  | DWN                 | C.C. THOMAS   | 11-19-02        | <br>TYCO Electronics<br>Harrisburg, PA 17105-3608 |
| DIMENSIONS: INCHES [mm]   |  | CHK                 | S. GLATFELTER | 11-19-02        |   |
| TOLENCES UNLESS OTHERWISE SPECIFIED:  |  | APVD                | S. GLATFELTER | 11-19-02        |   |
| 0 PLC ±-<br>1 PLC ±-<br>2 PLC ±-<br>3 PLC ±.005 [0.13]<br>4 PLC ±-<br>ANGLES ±- |  | NAME                |               | S. GLATFELTER   |   |
| MATERIAL: SEE CALLOUT   |  | FINISH: SEE CALLOUT |               | PRODUCT SPEC: - |   |
| APPLICATION SPEC: -   |  | WEIGHT: -           |               | APPLIC. SPEC: - |   |
| CUSTOMER DRAWING  |  | SIZE                | A2            | CAGE CODE       | 00779   |
| SCALE: 8:1  |  | DRAWING NO          | 1663128       |                 | RESTRICTED TO                                     |
| SHEET 1 OF 1  |  | REV B               |               |                 |   |