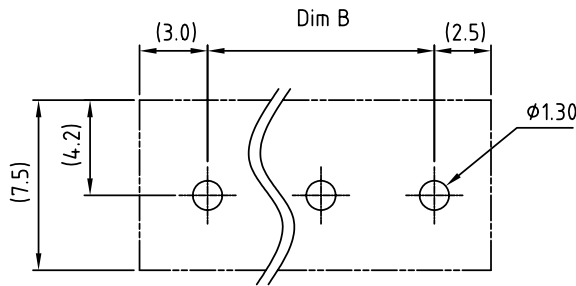
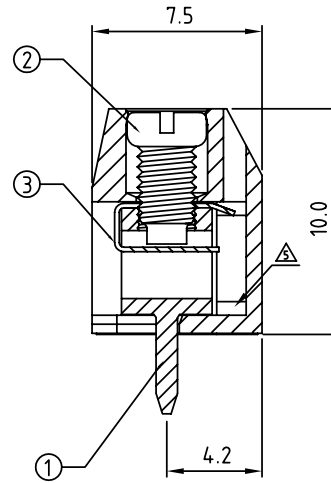
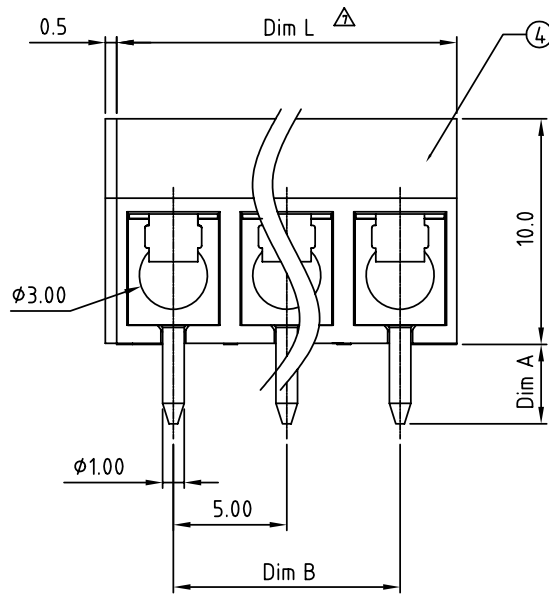
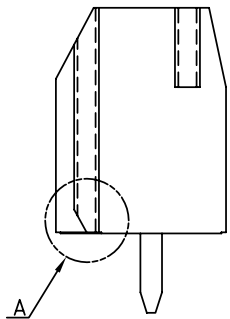
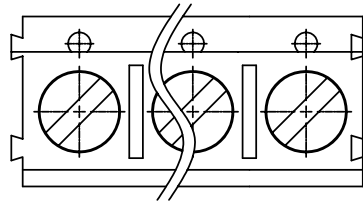


VIEW A



RECOMMENDED PCB LAYOUT

N = Number of poles  
 Dim L = N x 5.0  
 Dim B = (N - 1) x 5.0

	Dim L	Dim B
2-6p	±0.15	±0.10
7-12p	±0.20	±0.20
13-18p	±0.30	±0.25
19-24p	±0.40	±0.30

SIGN	DATE	DESCRIPTION	APPROVER
△	02/09'06	Part No. is changed.	Marvin
△	06/22'06	Safety is changed from UL 250V/16A to cULus 300V/15A	Marvin
△	08/01'06	cULus Solid wire and Stranded wire is changed.	Marvin
△	04/19'07	Soldering temperature is changed from 245 to 250	Marvin
△	04/19'07	Body is changed.	Marvin
△	04/03'10	Part No. is changed.	Tason
△	07/23'10	Dim A to Dim L	Tason
△	09/27'10	Wire range is changed from 0.75-1.5mm <sup>2</sup> to 0.5-1.5mm <sup>2</sup>	Tason

**THIS IS CAD DRAWING, DO NOT REVISE MANUALLY!!!**

**Material**

- Item① Terminal body(metal housing): Brass(CuZn),Tin plated
- Item② Terminal screw: Steel Zinc plating "-" slot type
- Item③ Wire guard: Stainless steel
- Item④ Insulator (housing): Thermoplastic (UL94V-0)

- △ Electrical cULus//VDE
  - Voltage rating: 300VAC/250VAC
  - Current rating: 15A/17.5A
- △ ● Wire range: 0.5-1.5mm<sup>2</sup>
  - Solid wire(AWG): 14-22/14-22
  - Stranded wire(AWG): 14-22/14-22
- Torque: 2.6Lb-In/0.4Nm
- Screw: M2.6
- Wire strip length: 6-7mm
- Withstanding Voltage: 1.6KV/2KV
- Operating temperature: -40°C to +115°C
- △ ● Soldering temperature: 250°C±10°C/5 Sec
- SAFETY APPROVAL DATA:

**TC xx 0 3 x x A5xx G**

POLES	Color	Dim A Length	Rohs Compliant
02 02 CONTACTS	0 Black (RAL9005)	0 4.4mm	A50 0 @ Mark
03 03 CONTACTS	2 Red (RAL3001/D)	1 3.8mm	A50 A ANY Mark
...	3 Orange(RAL2011/P)	2 3.5mm	Any special item by
24 24 CONTACTS	4 Yellow(RAL1018/A)		customer request,
	5 Green(RAL6018/T)		please contact sales
	6 Blue (RAL5015/A)		department.
	8 Grey(RAL7035/D)		

**ANYTEK**

**CUSTOMER COPY**

ALL RIGHTS RESERVED. REPRODUCTION OR ISSUE TO THIRD PARTIES IN ANY FORM WHATSOEVER IS NOT PERMITTED WITHOUT WRITTEN AUTHORITY FROM THE PROPRIETOR. PROPERTY OF ANYTEK TECHNOLOGY CO., LTD

TITLE		TC-5.0mm Solid Block type series (2p-24p) "-"		
PART NO.	TCxx03xxA5xxG △	DWG NO.	8TC0102	
APPROVED	CHECKED	DESIGNED	DRAWN	CUST NO.
		Tason 2010.09.27	Tason 2010.04.3	
				Tolerance
				X. ±0.50
				X.X ±0.30
				X.XX ±0.10
				X° ±1°
SHEET: 01/01				REV.: I