

PLEASE CHECK WWW.MOLEX.COM FOR LATEST PART INFORMATION

Part Number: [0003121022](#)
Status: **Active**
Description: 3.18mm (.125") Diameter, HCS-125 Pin and Socket Receptacle Housing, 2 Circuits, Single Row, With and Without Panel Mount Ears

Documents:

[3D Model](#) [RoHS Certificate of Compliance \(PDF\)](#)
[Drawing \(PDF\)](#)

Agency Certification

CSA LR19980
 UL E29179

General

Product Family Crimp Housings
 Series 4306
 Product Name HCS-125

Physical

Circuits (maximum) 2
 Color - Resin Natural
 Flammability 94V-2
 Gender Dual
 Glow-Wire Compliant No
 Material - Resin Nylon
 Number of Rows 1
 Packaging Type Bag
 Panel Mount No
 Pitch - Mating Interface (in) 0.280 In
 Pitch - Mating Interface (mm) 7.11 mm
 Stackable No
 Temperature Range - Operating -40°C to +105°C

Electrical

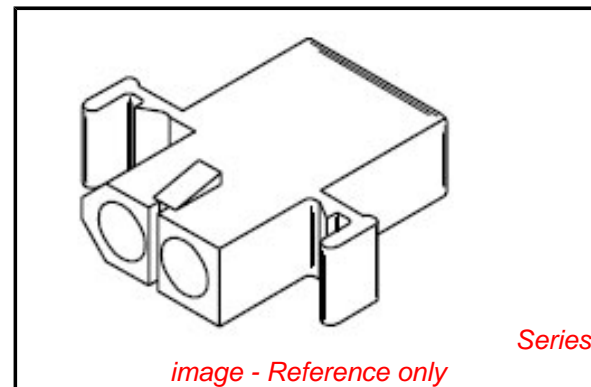
Current - Maximum per Contact 20A

Material Info

Old Part Number 4306R1

Reference - Drawing Numbers

Sales Drawing SD-4306-*



EU RoHS

ELV and RoHS Compliant
REACH SVHC Contains SVHC: No
Halogen-Free Status
Not Reviewed

China RoHS



Need more information on product environmental compliance?

Email productcompliance@molex.com
 For a multiple part number RoHS Certificate of Compliance, [click here](#)

Please visit the [Contact Us](#) section for any non-product compliance questions.

Search Parts in this Series

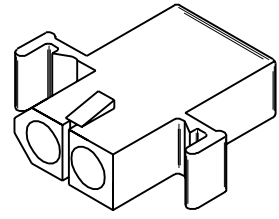
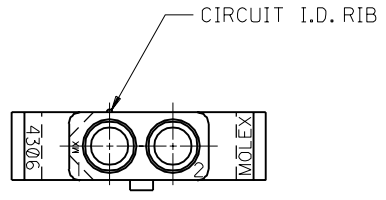
[4306Series](#)

Mates With

[4306p](#)

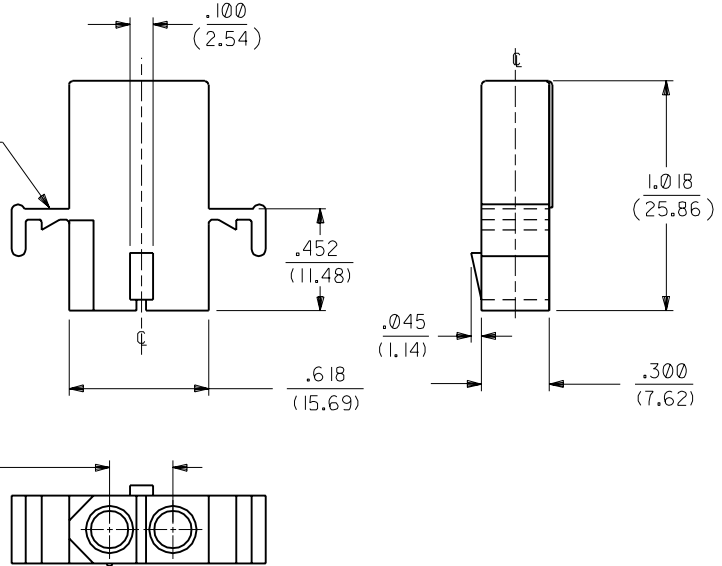
Use With

[8947](#) , [1900](#) male crimp terminals, [1901](#) , [2046](#) , [2047](#) , [42546](#) , [42547](#) , [42554](#) , [42555](#) , [8946](#)



4306-R RECEPTACLE HOUSING

MOUNTING EAR (2 PL.)
SEE DETAIL 1 OR 2
(WHEN SPECIFIED)



DIMENSIONS SHOWN (METRIC) INCH

UNLESS OTHERWISE SPECIFIED TOLERANCES: ANGULAR ± 1/2°

	INCH	METRIC
3 PLACE	± .010	---
2 PLACE	± .014	± 0.25
1 PLACE	---	± 0.35

DRAFT WHERE APPLICABLE MUST REMAIN WITHIN DIMENSIONS

▽ = 0 ▼ = 0 REVISE ONLY ON CAD SYSTEM

TITLE
HOUSING, 2 CIRCUIT
PLUG AND RECEPTACLE
.125/(3.18) DIA.

PART NO. MOLEX INCORPORATED SHEET NO. DATE
LISLE, ILL. 60532 U.S.A. 2 6/4/87

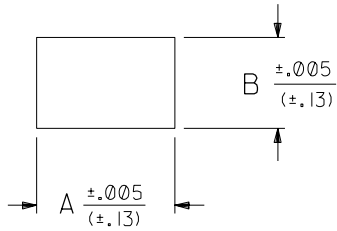
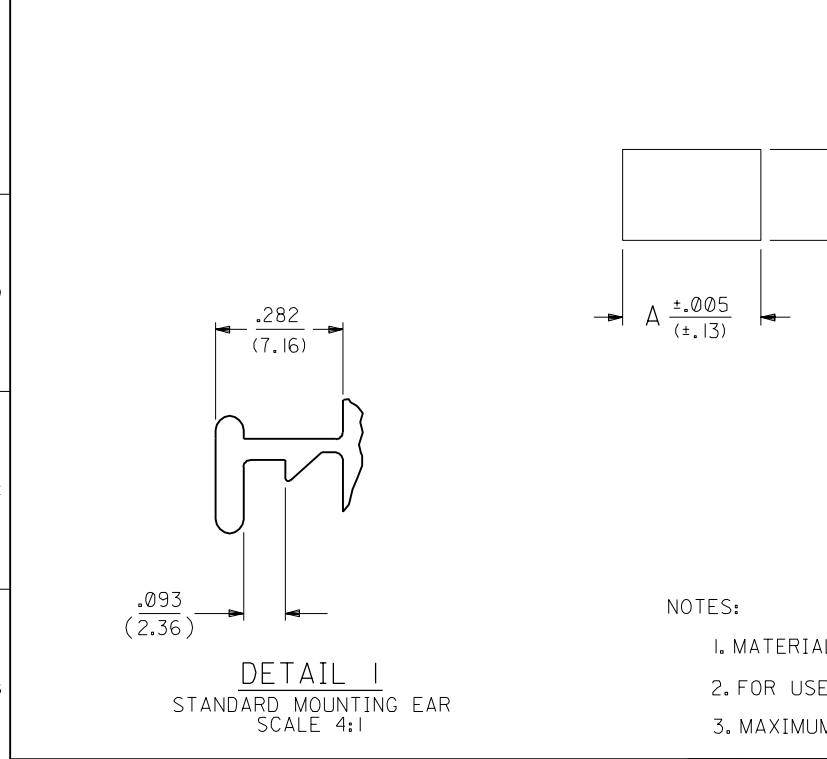
SEE CHART DRWG. NO. SD-4306-*

FILE NAME: SD4306X2.DWG THIS DRAWING CONTAINS INFORMATION THAT IS PROPRIETARY TO MOLEX INC. AND SHOULD NOT BE USED WITHOUT WRITTEN PERMISSION. DIV. CP SIZE B

LTR.	REVISIONS	LTR.	REVISIONS
		F	SEE SHEET 1
		E	SEE SHEET 1

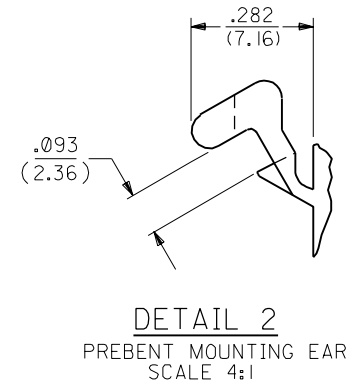
10	9	8	7	6	5	4	3	2	1	4306
PLUG										
PART NO.	ENG. NO.	DESCRIPTION								
03-12-2021	4306-P	PLUG WITH STANDARD EARS (DETAIL 1)								
03-12-2022	4306-P1	PLUG W/O EARS								
03-12-2023	4306-PB	PLUG W/PREBENT EARS (DETAIL 2)								

10	9	8	7	6	5	4	3	2	1	4306
RECEPTACLE										
PART NO.	ENG. NO.	DESCRIPTION								
03-12-1021	4306-R	RECEPTACLE WITH STANDARD EARS (DETAIL 1)								
03-12-1022	4306-R1	RECEPTACLE W/O EARS								
03-12-1023	4306-RB	RECEPTACLE W/PREBENT EARS (DETAIL 2)								



MOUNTING PANEL OPENING		
HOUSING	DIM. "A"	DIM. "B"
PLUG	.878/(22.30)	.432/(10.97)
RECEPTACLE	.778/(19.76)	.375/(9.53)

- NOTES:
1. MATERIAL: NYLON TYPE 6/6, 94V-2, NATURAL.
 2. FOR USE WITH .125/(3.18) DIA. SERIES TERMINALS.
 3. MAXIMUM PANEL THICKNESS .090/(2.29).



				DIMENSIONS SHOWN (METRIC) INCH UNLESS OTHERWISE SPECIFIED TOLERANCES: ANGULAR ± 1/2°				▽ = 0 ▼ = 0 REVISE ONLY ON CAD SYSTEM			
				INCH METRIC				TITLE HOUSING, 2 CIRCUIT PLUG AND RECEPTACLE .125/(3.18) DIA.			
				3 PLACE ± .010 ---				PART NO. SHEET NO. DATE			
				2 PLACE ± .014 ± 0.25				LISLE, ILL. 60532 U.S.A. 3 6/ 5/87			
				1 PLACE --- ± 0.35				MOLEX INCORPORATED			
				DRAFT WHERE APPLICABLE MUST REMAIN WITHIN DIMENSIONS				DRWG. NO. SD-4306-*			
				DRWG. BY GEP CHK'D. BY RW				SEE CHART			
				APP'D. BY RAS SCALE 2 : 1				FILE NAME SD4306X3			
				LTR. REVISIONS LTR. REVISIONS				THIS DRAWING CONTAINS INFORMATION THAT IS PROPRIETARY TO MOLEX INC. AND SHOULD NOT BE USED WITHOUT WRITTEN PERMISSION.			
								DIV. CP SIZE B			