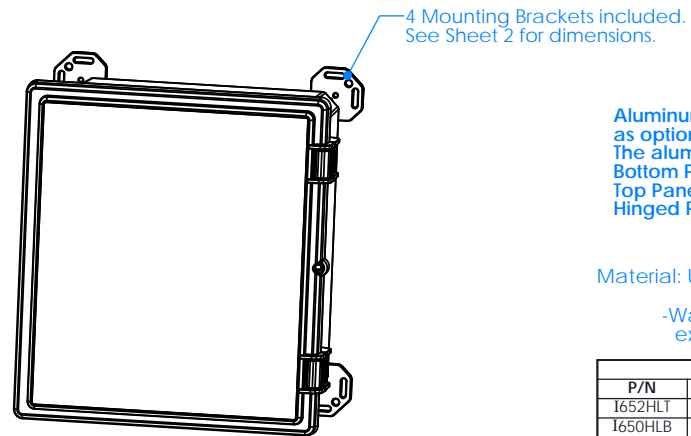
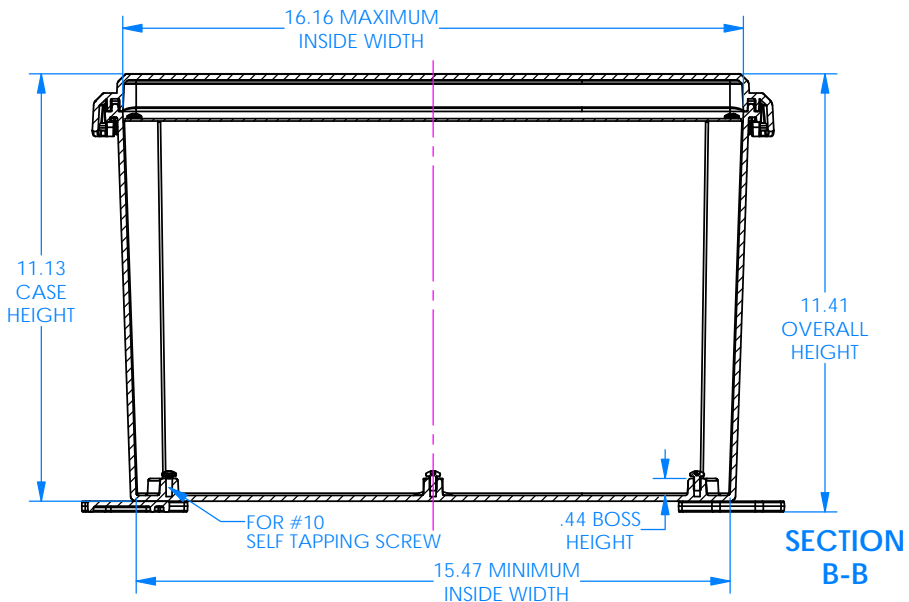
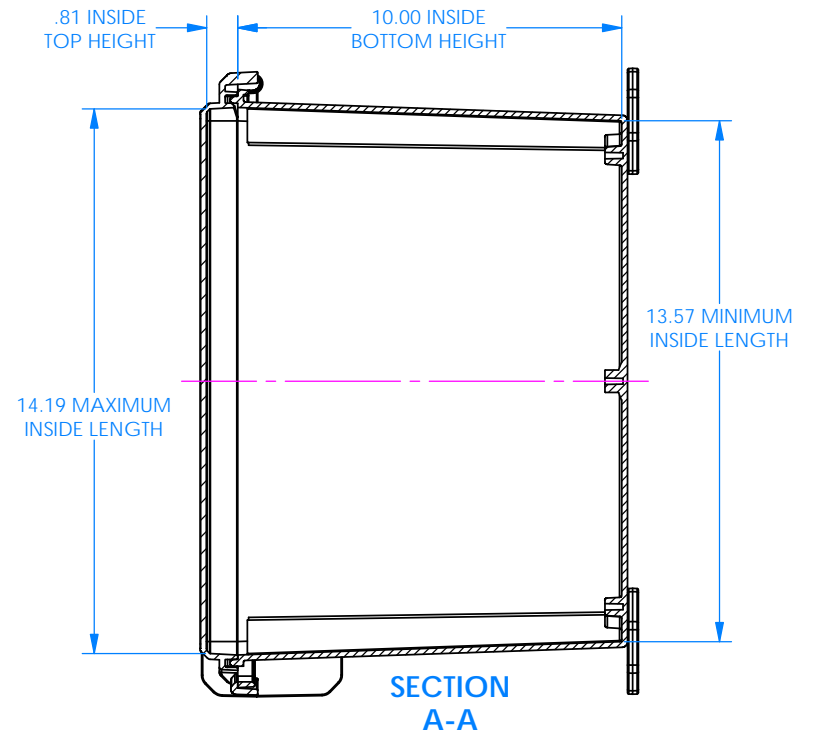
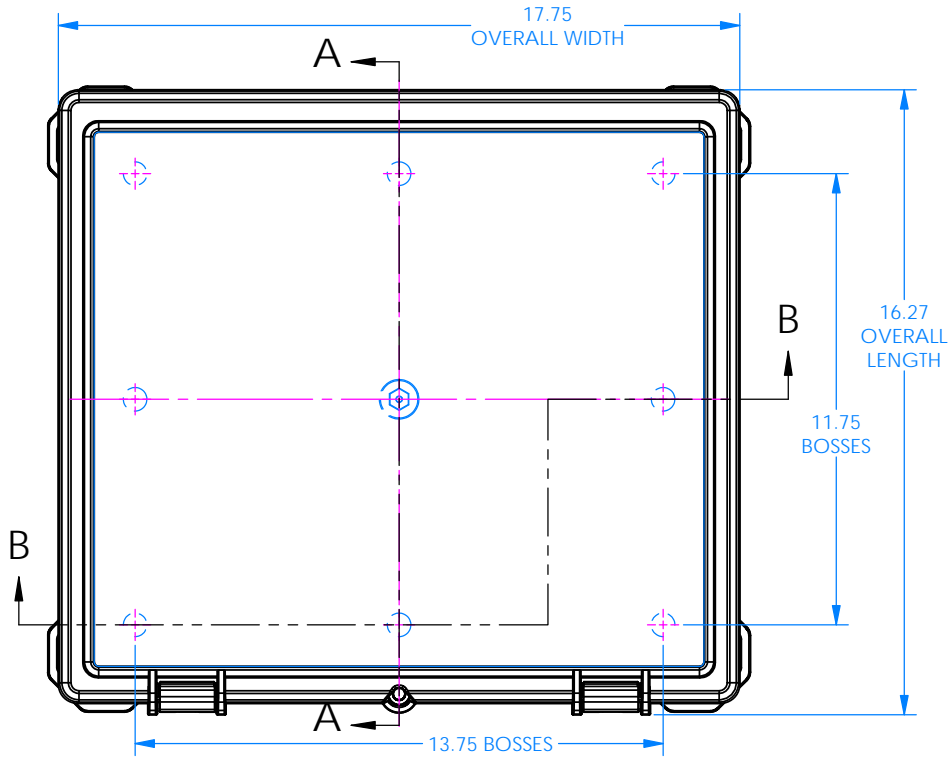


SERPAC I652HL

Electronic Enclosures



Aluminum Panel Kits are available as options, see sheets 3-5. The aluminum panel options are:
 Bottom Panel Kit p/n 73000B
 Top Panel Kit p/n 73040T
 Hinged Panel Kit p/n 73020TH

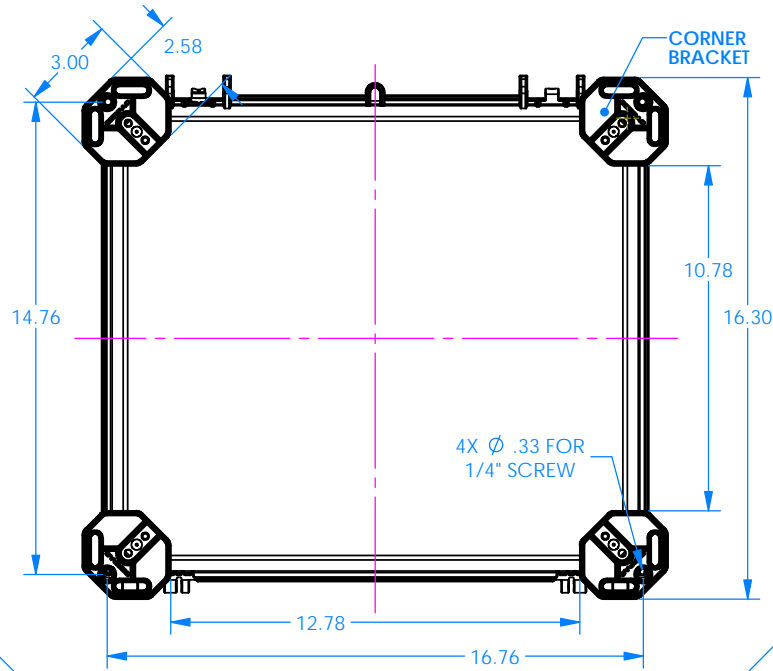
Material: UV stabilized Polycarbonate
 Flammability UL 94 V-2
 -Watertight enclosure meets or exceeds Nema 4 and or IP67.

PARTS INCLUDED		
P/N	Qty.	Description
I652HLT	1	I652 Hinge Latch Top
I650HLB	1	I650 Hinge Latch Bottom
8650	1	650 Perimeter O-ring
7011PCM	2	Safety Latch for I-Series
1355	4	Corner Mounting Bracket
6028	9	SS #10 X 5/8" Pan H/L Screw

SERPAC I652HL Mounting Bracket Dimensions

Electronic Enclosures

TOP & LATCHES REMOVED FOR CLARITY FROM ALL VIEWS

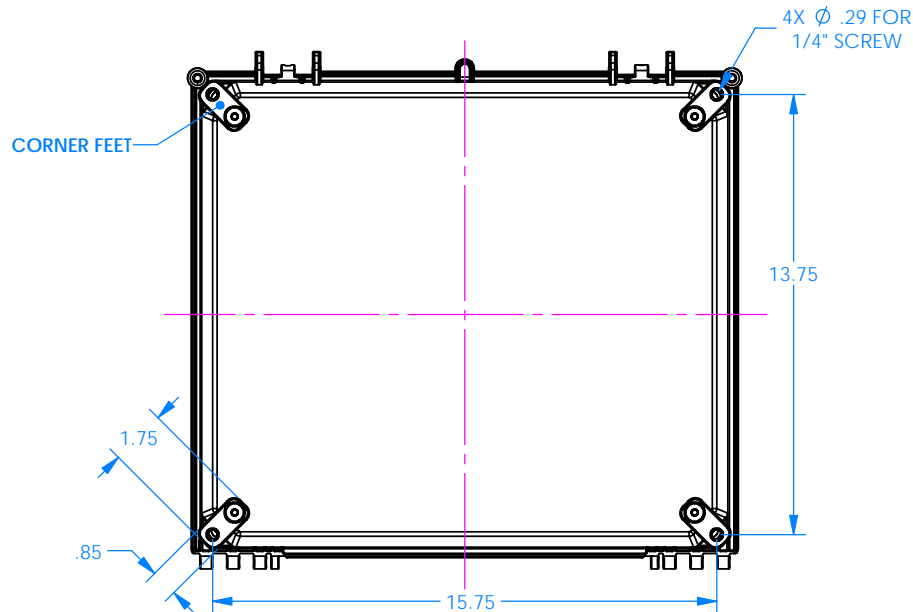


INCLUDED (4)
CORNER BRACKETS

PARTS INCLUDED		
P/N	Qty.	Description
1355	4	Mounting Corner Bracket
6028	4	SS #10 X 5/8" Pan Combo H/L Screw

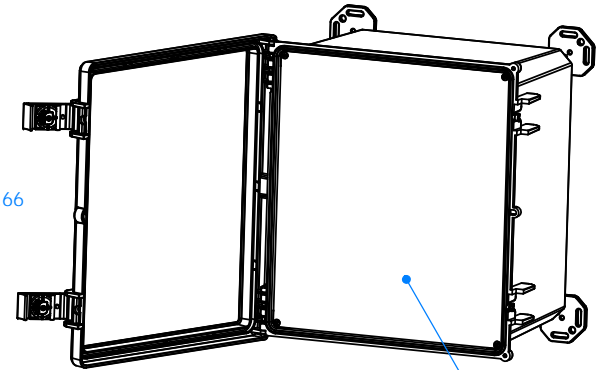
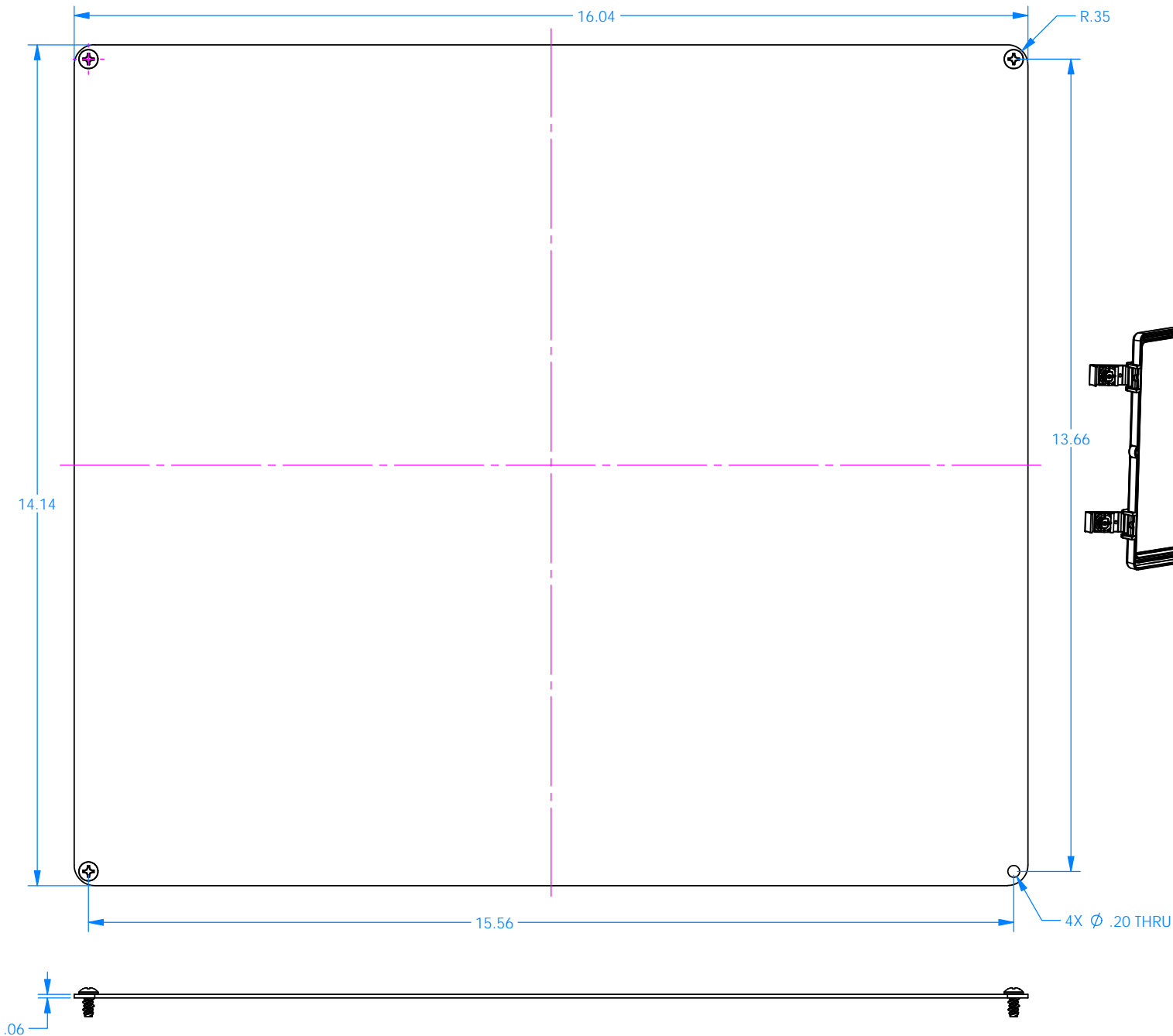
OPTIONAL CORNER FEET

PARTS INCLUDED		
P/N	Qty.	Description
1306	4	Mounting Corner Feet
6028	4	SS #10 X 5/8" Pan Combo H/L Screw



SERPAC 7300T Top Panel Kit for I652HL

Electronic Enclosures

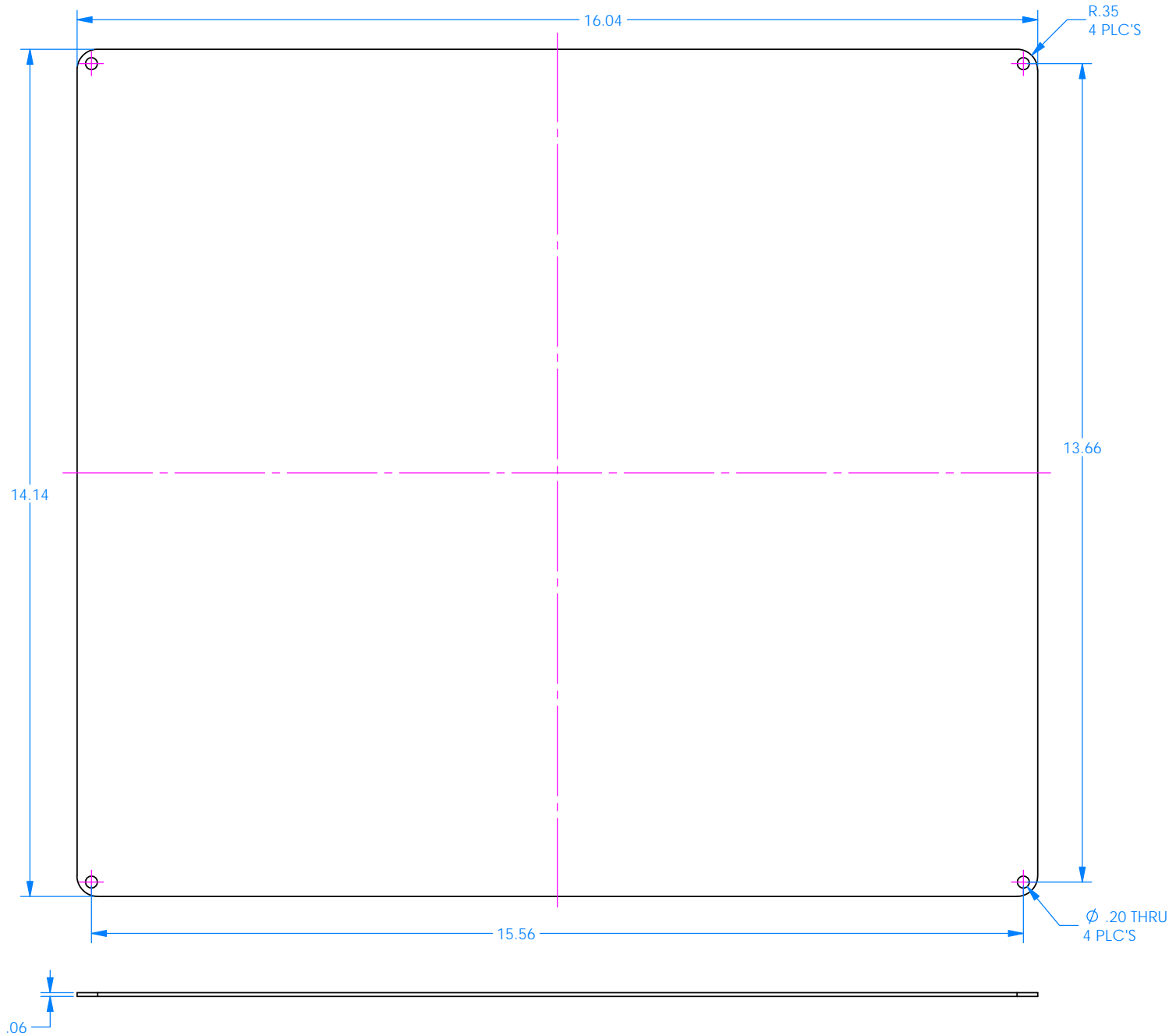


OPTIONAL ACCESSORY

PARTS INCLUDED		
P/N	Qty.	Description
73040	1	Top Aluminum Panel
6029	4	SS #10 X 3/8" Pan HL Screw

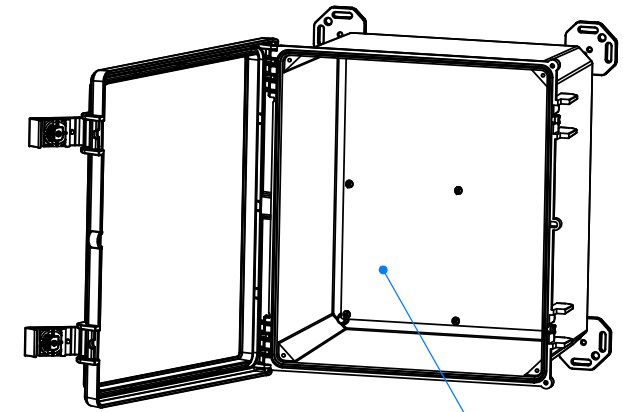
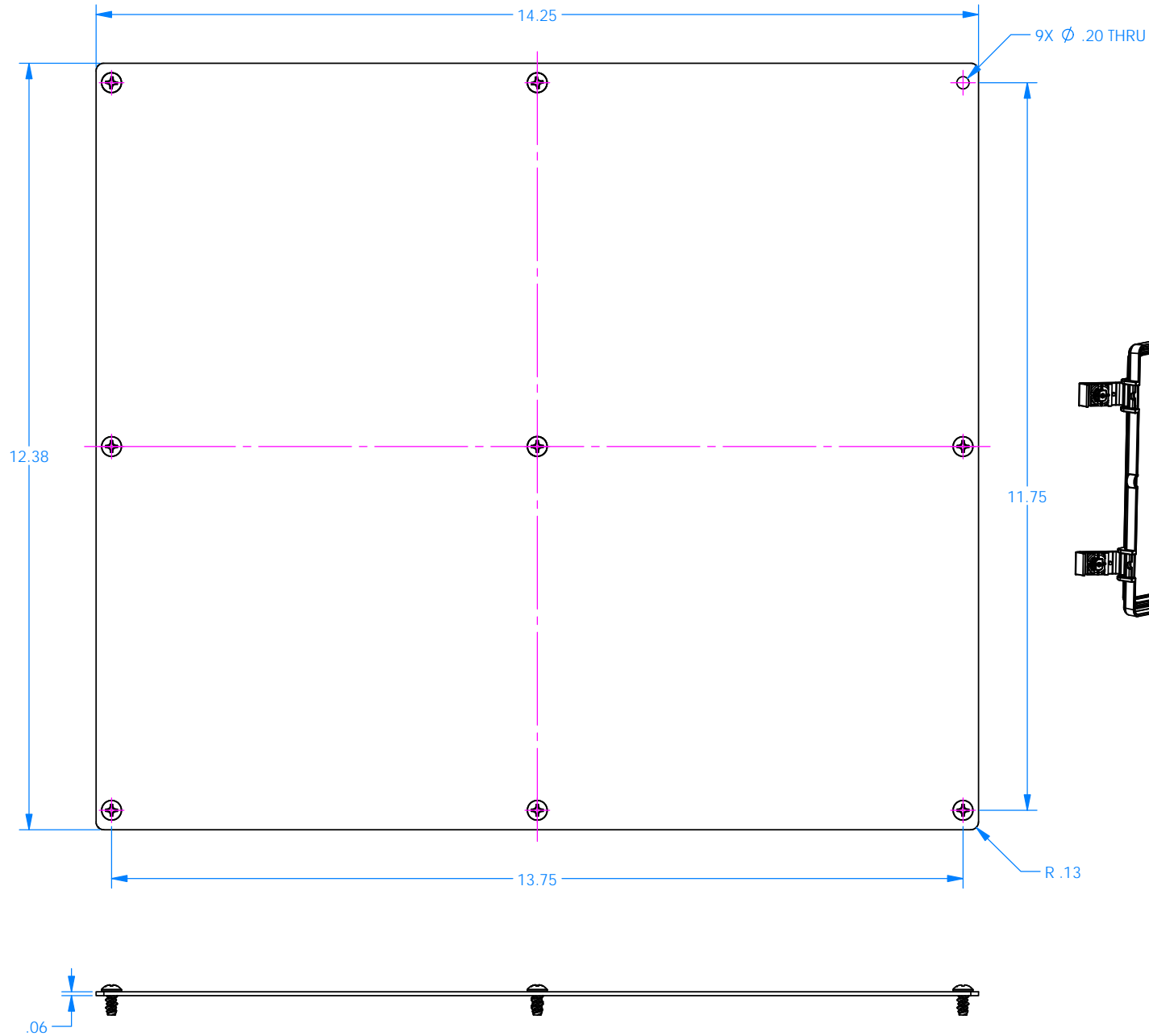
SERPAC 73040 AP-1 Top Alum Panel for I652HL

Electronic Enclosures



SERPAC 7300B Bottom Panel Kit for I652HL

Electronic Enclosures

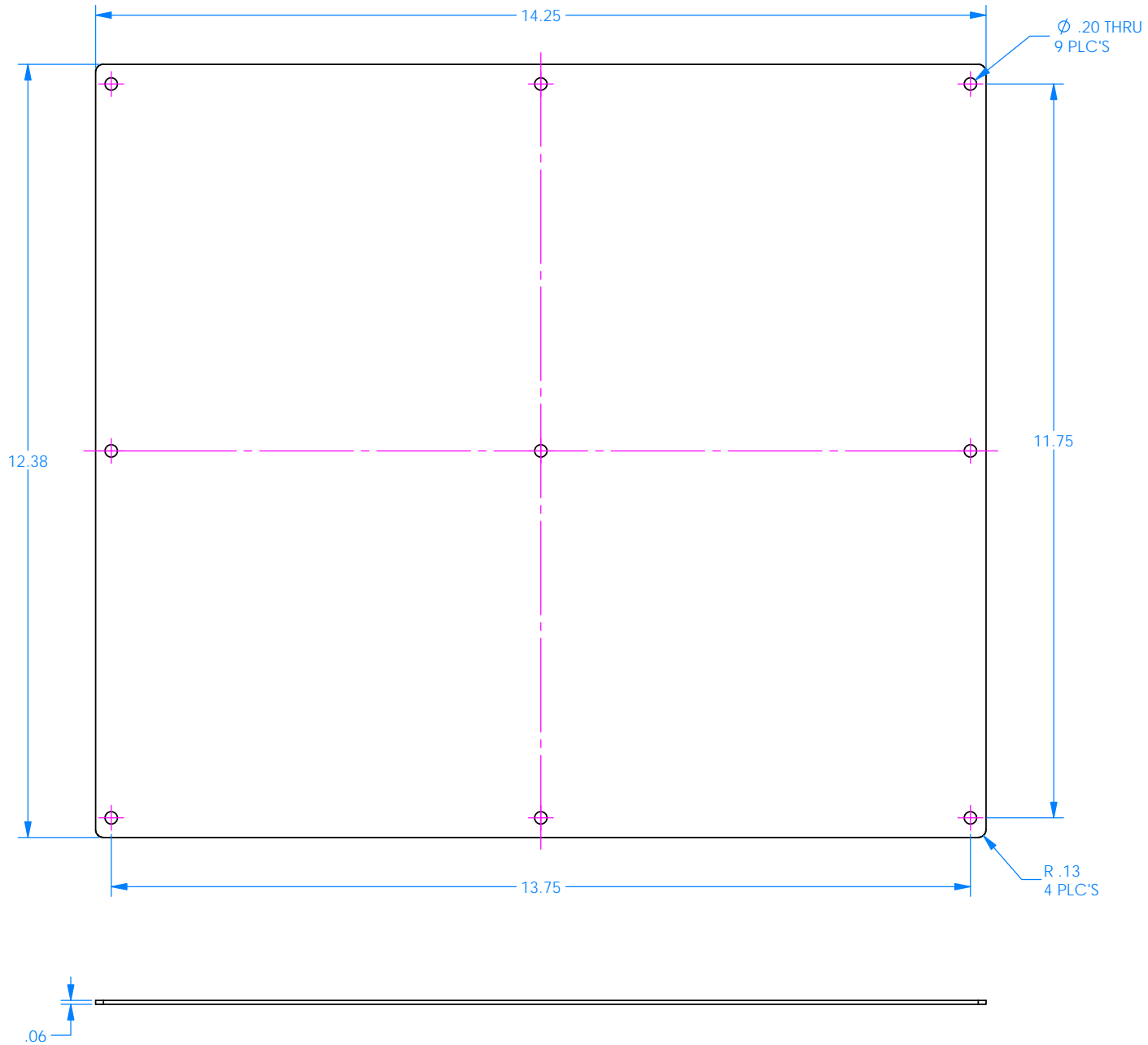


OPTIONAL ACCESSORY

PARTS INCLUDED		
P/N	Qty.	Description
73000	1	Bottom Aluminum Panel
6029	9	SS #10 X 3/8" Pan HL Screw

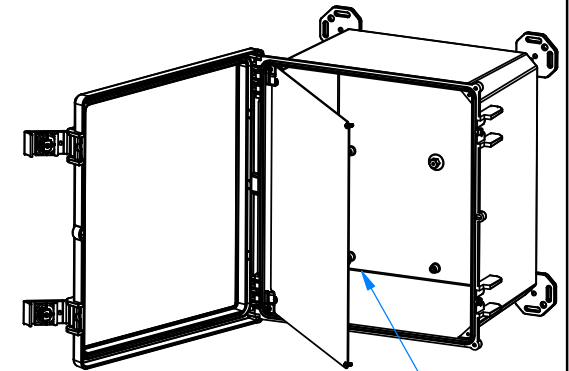
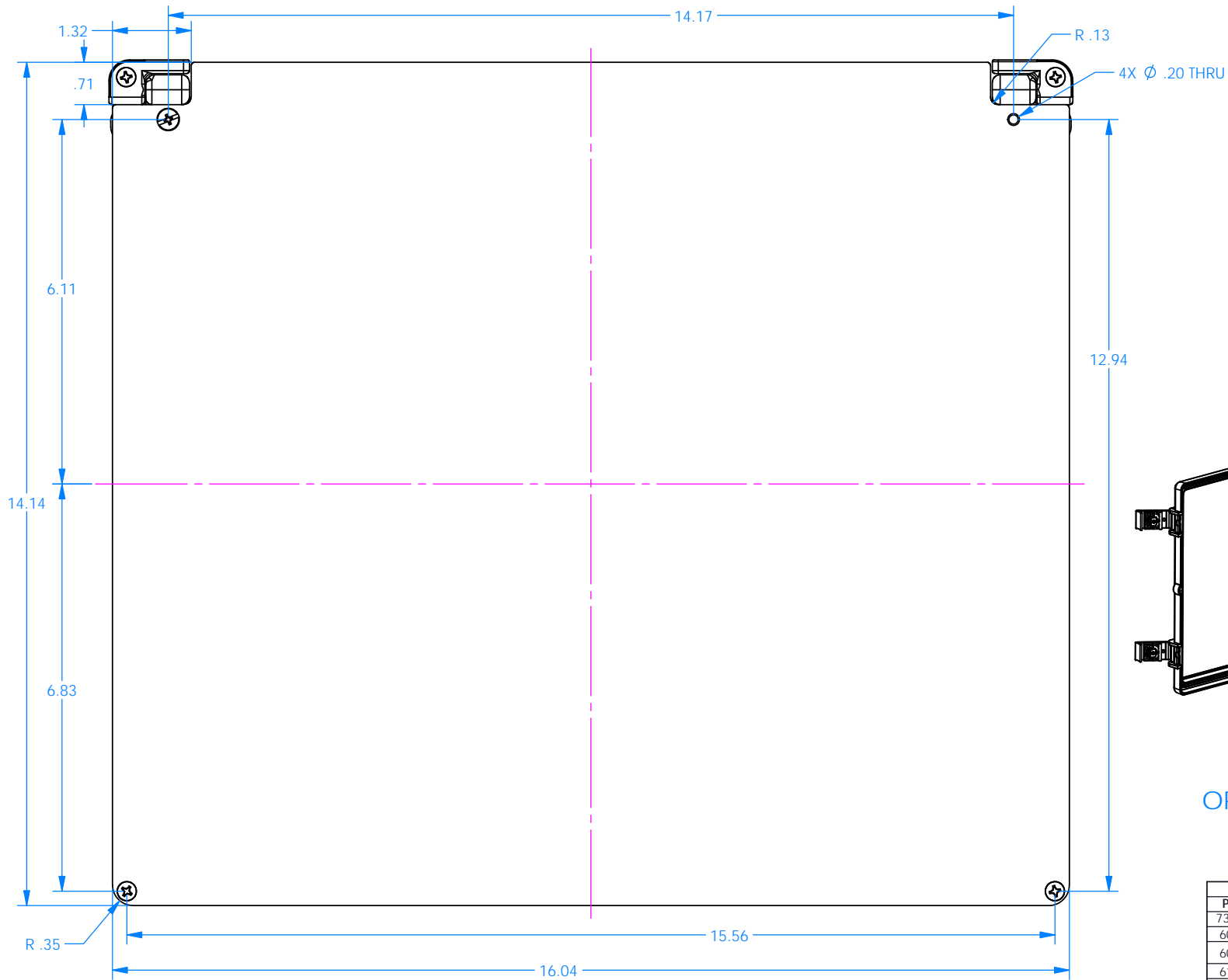
2/28/18

2009 Wright Ave. La Verne, CA 91750
Ph. (626) 331-0517 Fx. (626) 331-8584 serpac.com



SERPAC 7300TH Hinged Top Panel Kit for I652HL

Electronic Enclosures



OPTIONAL ACCESSORY

PARTS INCLUDED		
P/N	Qty.	Description
73020	1	Hinged Top Aluminum Panel
6029	2	SS #10 X 3/8" Pan HL Screw
6030	2	SS #10 X 3/8" Pan Combo H/L Screw
6105	2	SS #10-32 X 1/8" Nut
6028	2	SS #10 X 5/8" PH HD H/L Screw
1307	2	Hinge Pin for Hinge Panel
1308	1	Hinge A for Hinge Panel
1309	1	Hinge B for Hinge Panel

SERPAC 73020 AP-2 Hinged Alum Panel for I652HL

Electronic Enclosures

