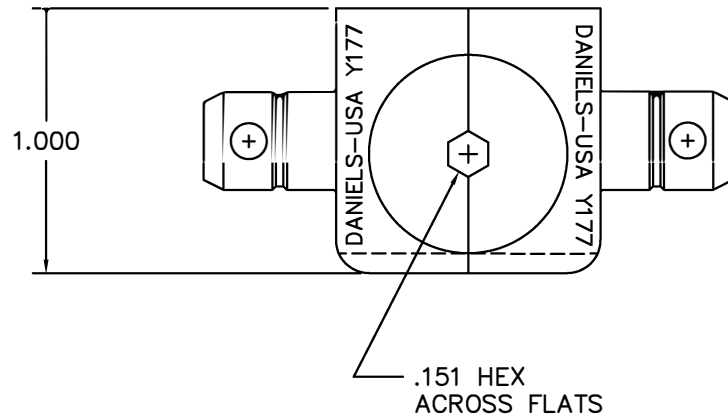
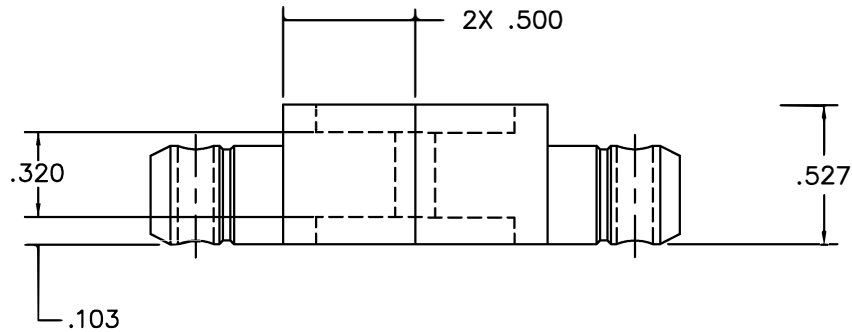


REVISIONS				
REV. SYM.	E.C.O. NUMBER	DESCRIPTION	BY DATE	APP'D DATE
1		ORIGINAL RELEASE	D.A.D. 4-30-97	DE 4-97



**UNCONTROLLED DOCUMENT
WILL NOT BE UPDATED**

RESTRICTED & CONFIDENTIAL		MATERIAL		ITEM	PART NO.	QTY.	DESCRIPTION/REMARKS		
CONFIDENTIAL PROPERTY OF DANIELS MANUFACTURING CORP. NOT TO BE DISCLOSED TO OTHERS, REPRODUCED OR USED FOR ANY OTHER PURPOSE, EXCEPT AS AUTHORIZED IN WRITING BY DANIELS MANUFACTURING. MUST BE RETURNED TO DANIELS MANUFACTURING CORP. ON COMPLETION OF ORDER OR OTHER PURPOSE FOR WHICH LENT.		HEAT TREAT		DRN.	D.DEPAIVA	DATE	4-30-97		
				CHKD.	DE	DATE			
				APP'D.		DATE			
DO NOT SCALE DRAWING		FINISH		APP'D.		DATE			
				NOTE:				TITLE	
				THIS DRAWING IS AN OUTLINE DRAWING OF THE RESPECTIVE DMC PART NUMBER INDICATED. ACTUAL DMC PART NUMBER IS DRAWING NUMBER WITHOUT THE *-ENV* SUFFIX.				DIE SET ENVELOPE DRAWING	
				SIZE	SCALE	CAD P/N	SHEET OF		
				B	2X	Y177-ENV	1 1		
				POSTING	DWG. NO.	Y177-ENV	REV.		
							1		

DMC DANIELS MANUFACTURING CORP.
ORLANDO, FLORIDA
CAGE 11851