

4

3

2

1

THIS DRAWING IS UNPUBLISHED.

RELEASED FOR PUBLICATION

ALL RIGHTS RESERVED.

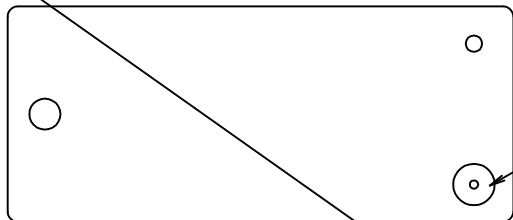
© COPYRIGHT - By TE Connectivity

LOC
HB

DIST
-

REVISIONS

P	LTR	DESCRIPTION	DATE	DWN	APVD
C2		REVISED PER ECO-11-005140	29MAR11	RK	HMR
C4		PN OBSOLETE ECO-12-005305	10-APR-12	YS.H	BH.Y

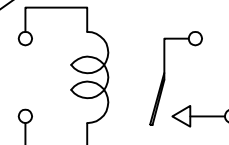


VENT HOLE

PART A

PART B

CONNECTION DIAGRAM



C4

TE

SDT-SS-112DM \varnothing 12V==

TV-5
10A 250V~

10A/80A 250V~
3A/100A 250V~

10(3)A 250V~
10A 24V==



LOT NO.

OEG C

C:MADE IN CHINA

"A"

OBSOLETE

DRILLING DIAGRAM(BOTTOM VIEW)

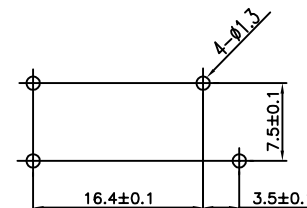
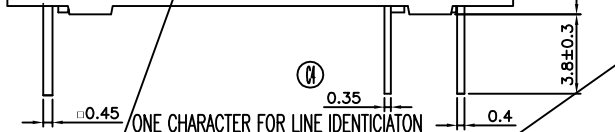
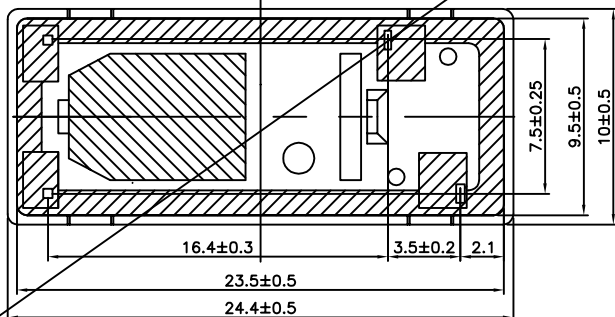


Diagram dimension	Tolerance
max. 1mm	±0.1mm
1 - 3mm	±0.2mm
min. 3mm	±0.3mm



ONE CHARACTER FOR LINE IDENTIFICATION



THIS DRAWING IS A CONTROLLED DOCUMENT.

DWN H.SASAKI	<p>TE Connectivity</p> <p>SDT-SS-DM,000(STANDARD) CUSTOMER DRAWING</p>	NAME
CHK K.OKADO		RESTRICTED TO
APVD A.NAGAI		SIZE A3
PRODUCT SPEC -		CAGE CODE 00779
APPLICATION SPEC -	DRAWING NO C=1461481	SCALE 4:1
WEIGHT -	CUSTOMER DRAWING	SHEET 1 OF 2
MATERIAL -	FINISH -	REV C4

4

3

2

1

THIS DRAWING IS UNPUBLISHED.

RELEASED FOR PUBLICATION

-. - .

© COPYRIGHT - By -TE Connectivity

ALL RIGHTS RESERVED.

LOC	DIST	REVISIONS					
HB	-	P	LTR	DESCRIPTION	DATE	DWN	APVD
		-		SEE SHEET 1	-	-	-

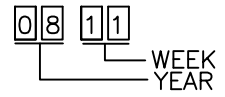
CA	1440003-2	SDT-SS-103DM	107-84016	CA	3V	SDT-SS-103DM	h
CA	3-1419126-2	SDT-SS-148DM	107-84016	CA	40V	SDT-SS-148DM	g
	2-1419126-5	SDT-SS-124DM	107-84016	CA	24V	SDT-SS-124DM	f
	1461481-1	SDT-SS-112DM	107-84016	CA	12V	SDT-SS-112DM	e
	1-1419126-8	SDT-SS-112DM	107-84016	CA	12V	SDT-SS-112DM	d
	1-1419126-5	SDT-SS-109DM	107-84016	CA	9V	SDT-SS-109DM	c
	1-1419126-4	SDT-SS-106DM	107-84016	CA	6V	SDT-SS-106DM	b
	1-1419126-2	SDT-SS-105DM	107-84016	CA	5V	SDT-SS-105DM	a
	PART NO	DESCRIPTION	PACKING SPEC	PART B	PART A	TYPE	

RELAY TYPE

OBSOLETE

EPOXY RESIN	RESIN (CASE)	12
UEW	MAGNETIC WIRE	11
PBT	CASE	10
Cu ALLOY	HINGE SPRING	9
Cu ALLOY	COIL TERMINAL	8
Cu ALLOY	M TERMINAL	7
Cu ALLOY	MOVABLE SPRING	6
PBT	BOBBIN	5
PPS	CARD	4
STEEL	CORE	3
STEEL	ARMATURE	2
STEEL	YOKE	1
MATERIAL	DESCRIPTION	ITEM

NOTES:
 1. TERMINAL DIMENSIONS BEFORE SOLDER DIP
 2. LOT NO. SYSTEM AS FOLLOWING:



THIS DRAWING IS A CONTROLLED DOCUMENT.		DWN H.SASAKI				
DIMENSIONS: mm		CHK K.OKADO				
TOLERANCES UNLESS OTHERWISE SPECIFIED:		APVD A.NAGAI	NAME			
0 PLC ± - 1 PLC ± - 2 PLC ± - 3 PLC ± - 4 PLC ± - ANGLES ± -		PRODUCT SPEC -	SDT-SS-DM,000(STANDARD) CUSTOMER DRAWING			
MATERIAL -	FINISH -	APPLICATION SPEC -	SIZE A3	CAGE CODE 00779	DRAWING NO C=1461481	RESTRICTED TO -
CUSTOMER DRAWING			SCALE 4:1	SHEET 2 OF 2	REV C4	