

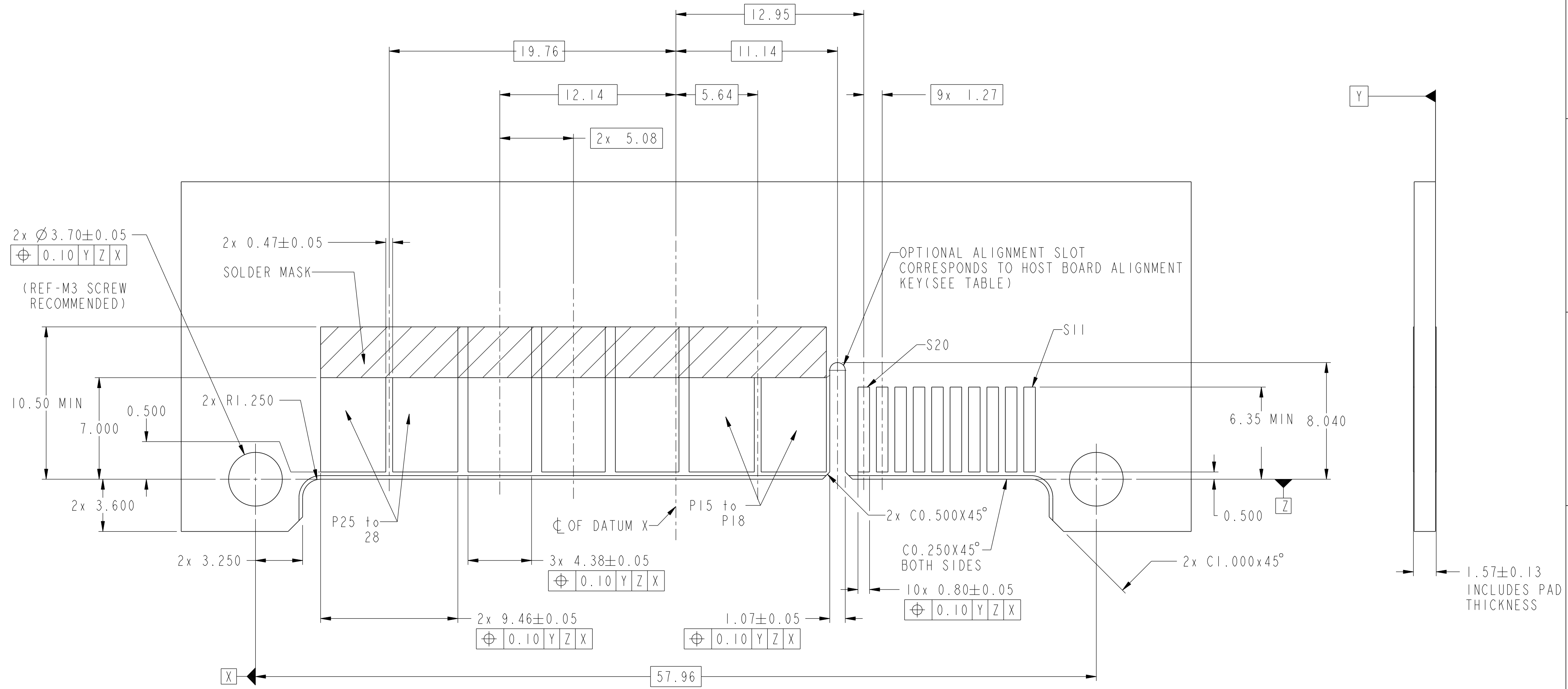
Amphenol
FCI

© 2016 APCI

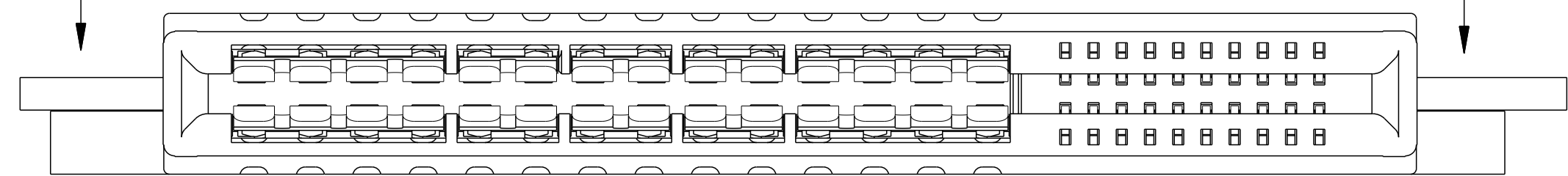
spec ref	-	dr	Hai-Ling Liu	2016/02/17	projection	MM	size	A2	scale	4:1
tolerance std	ISO 406 ISO 1101	eng	Hai-Ling Liu	2016/06/08			ecn no	-	rel level	Released
TOLERANCES UNLESS OTHERWISE SPECIFIED		chr	Terris Liu	2016/06/08						
surface	ISO 1302	appr	Pei-Ming Zheng	2016/06/08	product family	CARD EDGE	dwg no	10138762	rev	A
	linear	0.X	± 0.5		HPCE STRADDLE MOUNT TYPE			cat. no.	Product - Customer Drw	sheet 1 of 4
		0.XX	± 0.25		2HP6LP2HP20S LOW HF					
	angular	0°	$\pm 2^\circ$							

1 2 3 4 5 6 7 8

A
B
C
D
E
F



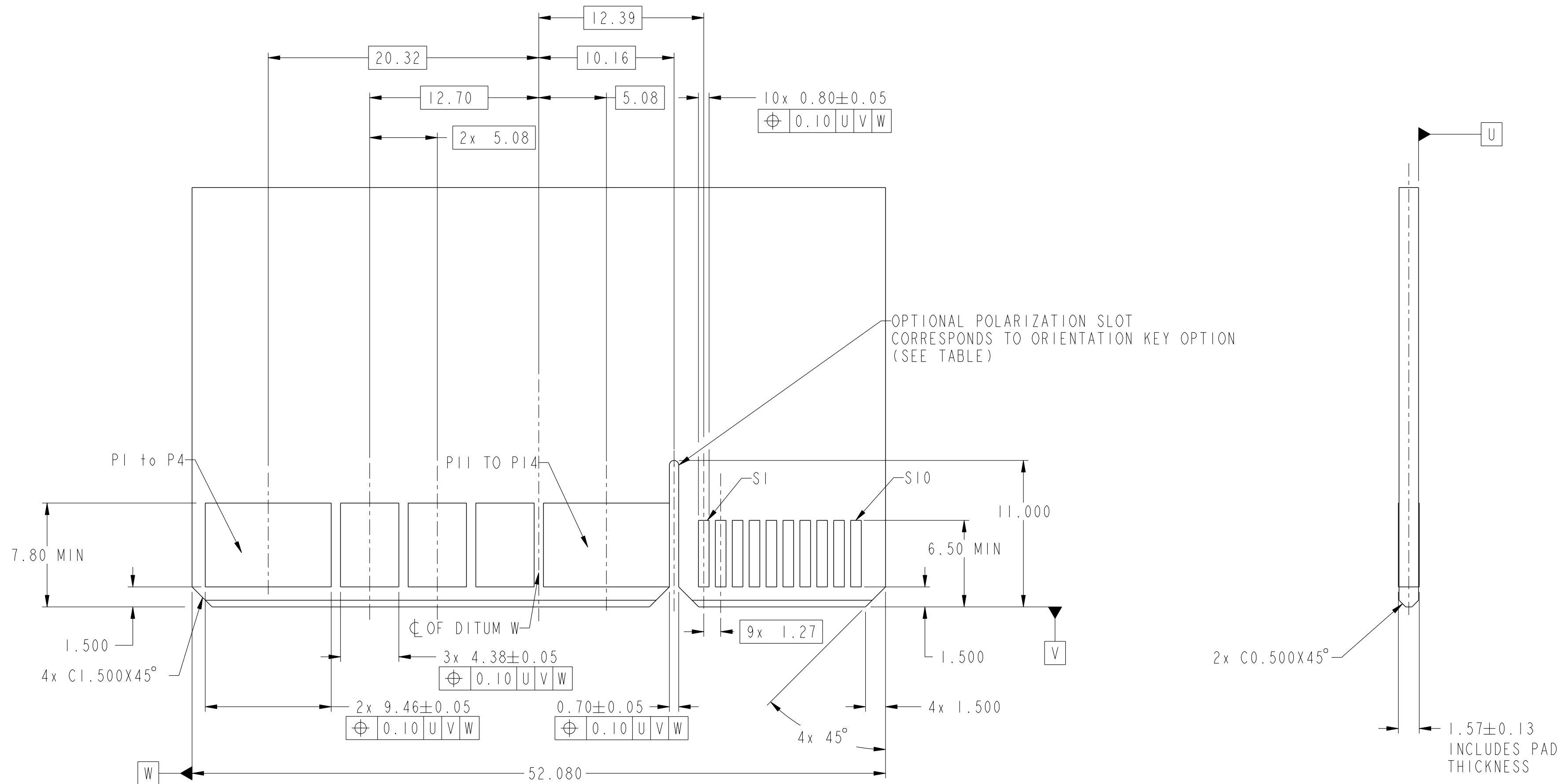
**RECOMMENDED HOST BOARD LAYOUT
AS VIEWED**



spec ref	-	dr	Hai-Ling Liu	2016/02/17	projection	MM	size	A2	scale	2:1		
tolerance std	ISO 406 ISO 1101	eng	Hai-Ling Liu	2016/06/08			ecn no	-	rel level	Released		
TOLERANCES UNLESS OTHERWISE SPECIFIED		chr	Terris Liu	2016/06/08								
		appr	Pei-Ming Zheng	2016/06/08								
surface	linear	0.X	±0.5		product family		HPCE STRADDLE MOUNT TYPE 2HP6LP2HP20S LOW HF	cat. no.	Product - Customer Drw	sheet 2 of 4		
		0.XX	±0.25		dwg no	10138762					rev	A
	angular	0°	±2°									

Amphenol
FCI

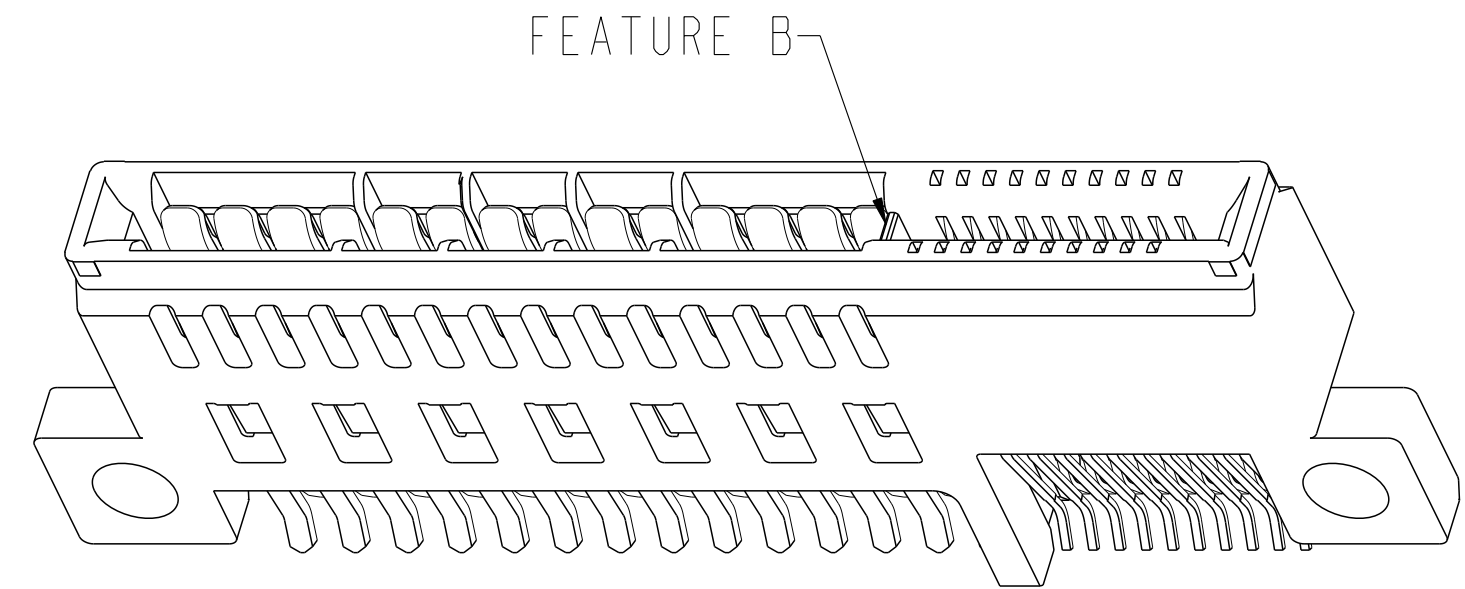
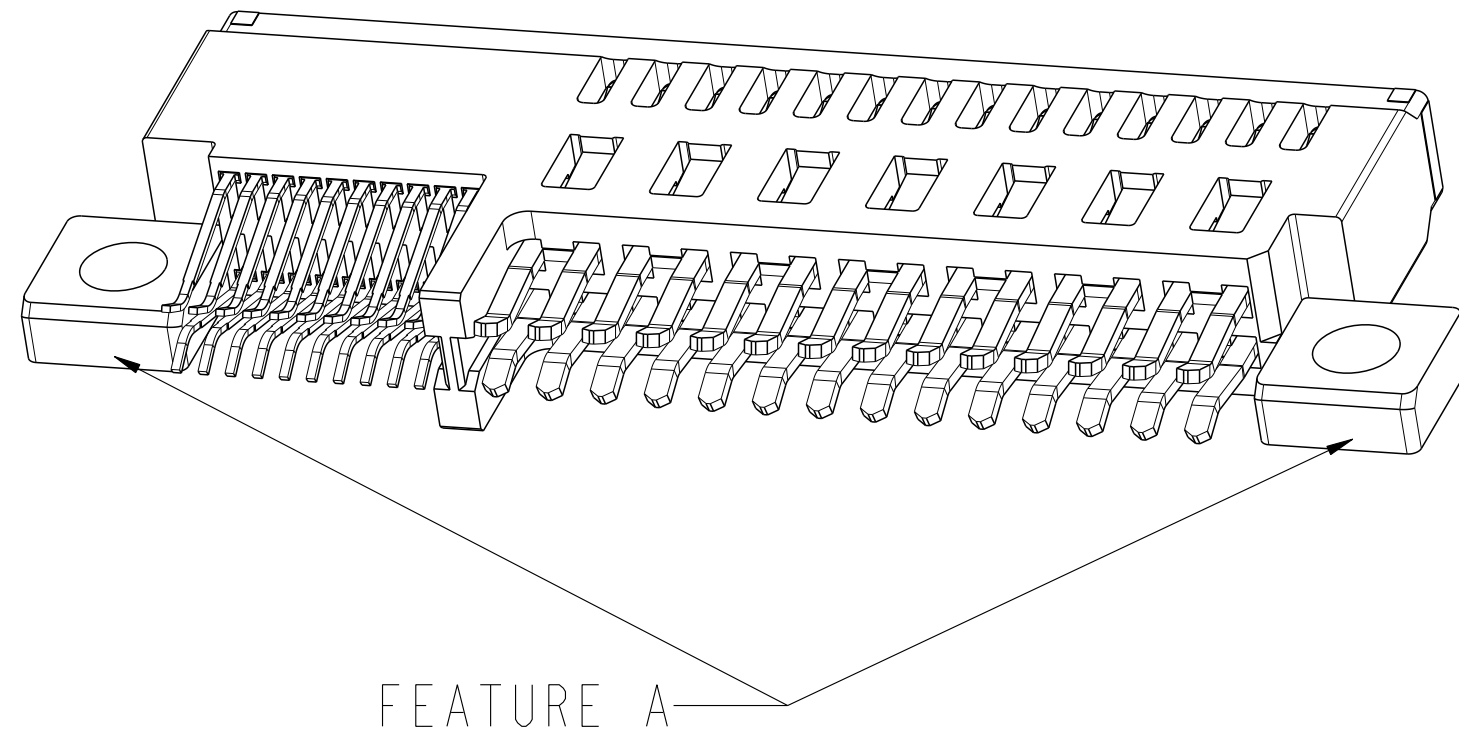
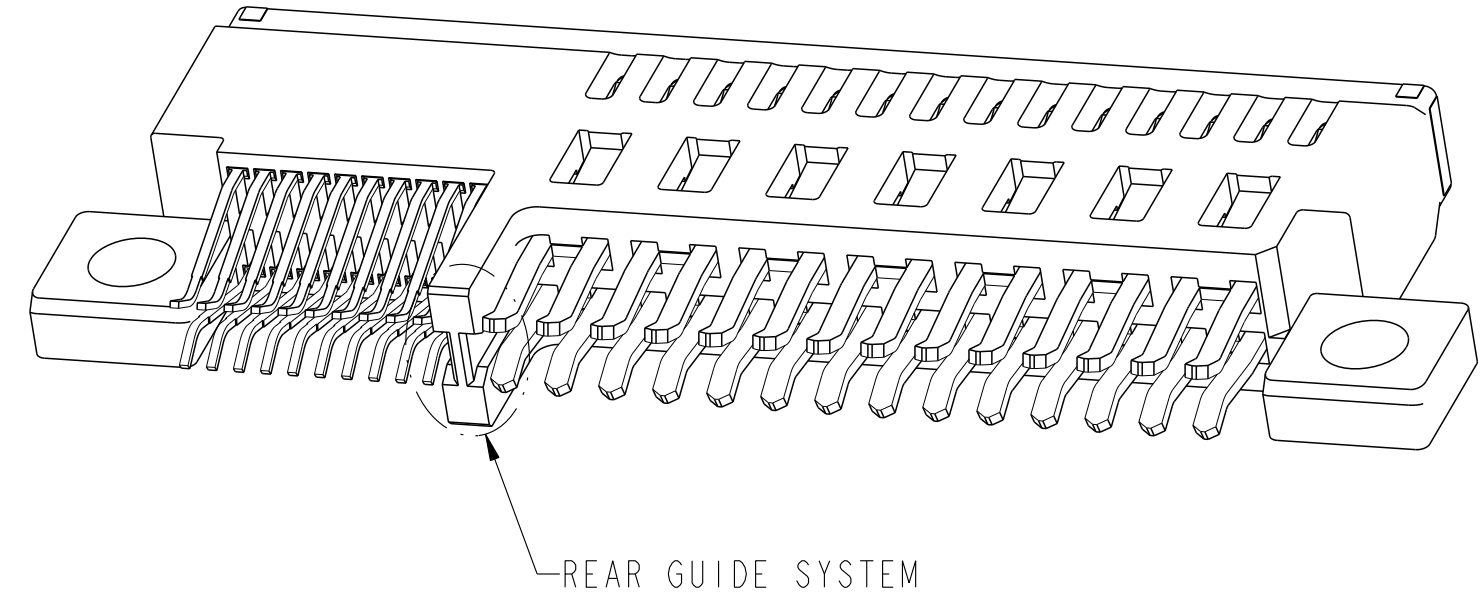
© 2016 APCI



RECOMMENDED MATING BOARD FOOTPRINT

spec ref	-	dr	Hai-Ling Liu	2016/02/17	projection	MM	size	A2	scale	1:1
tolerance std	ISO 406 ISO 1101	eng	Hai-Ling Liu	2016/06/08			ecn no	-	rel level	Released
surface	linear	0.X	±0.5							
		0.XX	±0.25							
		0.XXX	±0.10							
	angular	0°	±2°							
TOLERANCES UNLESS OTHERWISE SPECIFIED		chr	Terris Liu	2016/06/08	product family		-		-	
Amphenol FCI		appr	Pei-Ming Zheng	2016/06/08	HPCE STRADDLE MOUNT TYPE		2HP6LP2HP20S LOW HF		-	
ISO 1302					cat. no.		-		Product - Customer Drw	
					dwg no		10138762		rev	
									A	
									sheet 3 of 4	

PART NUMBER	REAR GUIDE SYSTEM	FEATURE A MOUNTING EARS	FEATURE B FRONT POLARIZATION KEY
10138762-001HFLF	YES	YES	NO
10138762-002HFLF		YES	YES
10138762-003HFLF		NO	NO
10138762-004HFLF	NO	NO	YES
10138762-005HFLF		YES	NO
10138762-006HFLF		YES	YES
10138762-007HFLF		NO	NO
10138762-008HFLF		NO	YES



NOTES:

- CONNECTOR MATERIALS:
 HOUSING: HIGH TEMPERATURE THERMAL PLASTIC, BLACK
 UL 94V-0 COMPLIANT
 CONTACTS: HIGH PERFORMANCE COPPER ALLOY.
- CONTACT FINISH REF. GS-12-604 SECTION 5.2.
- PRODUCT SPECIFICATION: GS-12-604.
- APPLICATION SPECIFICATION: GS-20-128.
- PRODUCT MARKING (FCI - PART NUMBER & DATE CODE) ON HOUSING IN AREA SHOWN.
- PACKAGING MEETS FCI SPECIFICATION GS-14-937.
- HOST BOARD ALIGNMENT KEY IS RECOMMENDED TO ENSURE PROPER ALIGNMENT OF SOLDER TAILS WITH HOST BOARD PADS.

spec ref	-	dr	Hai-Ling Liu	2016/02/17	projection	MM	size	A2	scale	4:1	
tolerance std	ISO 406 ISO 1101	eng	Hai-Ling Liu	2016/06/08			ecn no	-	rel level	Released	
TOLERANCES UNLESS OTHERWISE SPECIFIED		chr	Terris Liu	2016/06/08			product family	CARD EDGE		rel level	Released
surface	linear	0.X	±0.5		HPCE STRADDLE MOUNT TYPE		cat. no.	-	Product - Customer Drw	sheet 4 of 4	
		0.XX	±0.25		title	2HP6LP2HP20S LOW HF		dwg no	10138762	rev	A
	angular	0°	±2°								