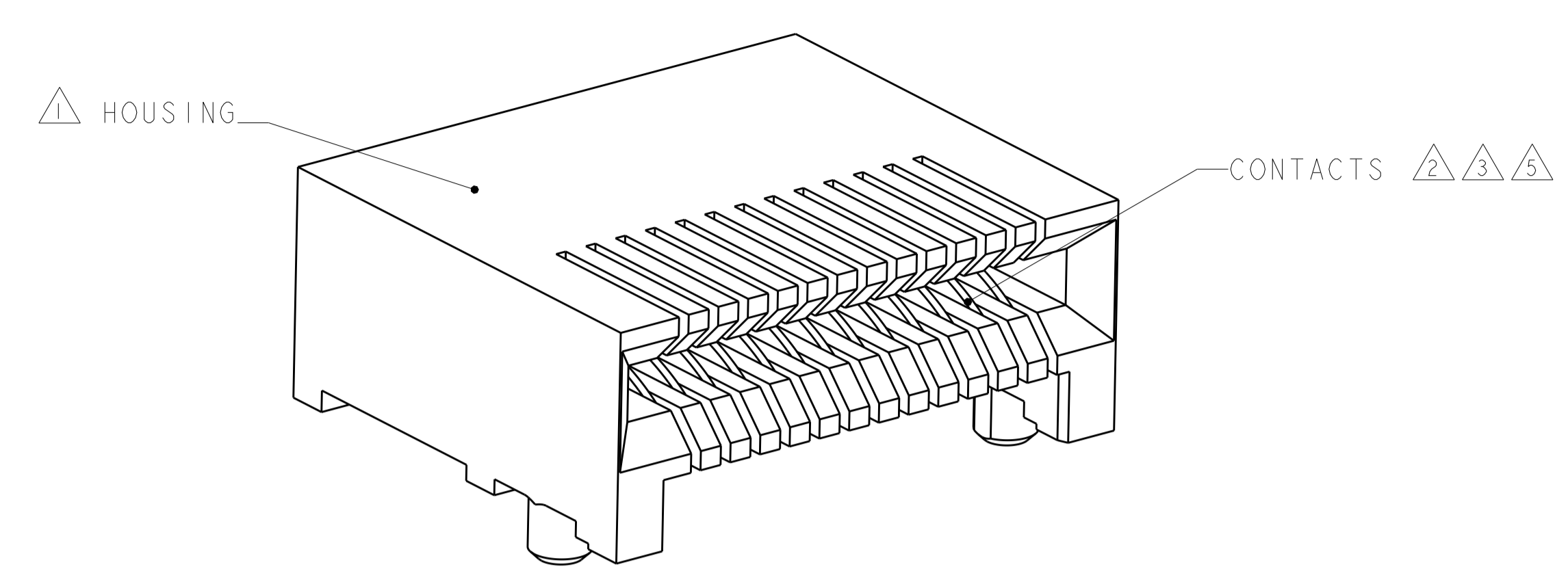
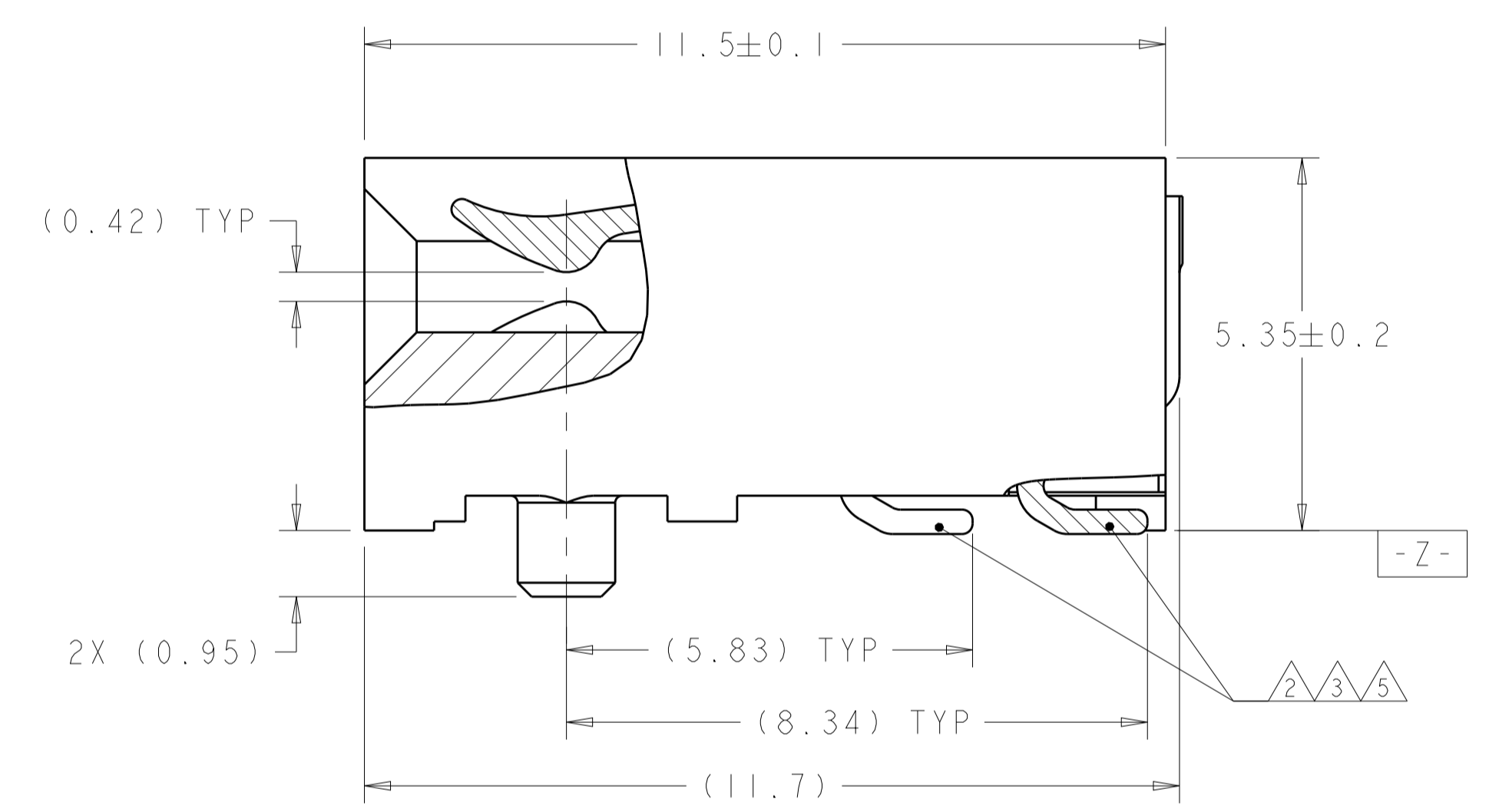
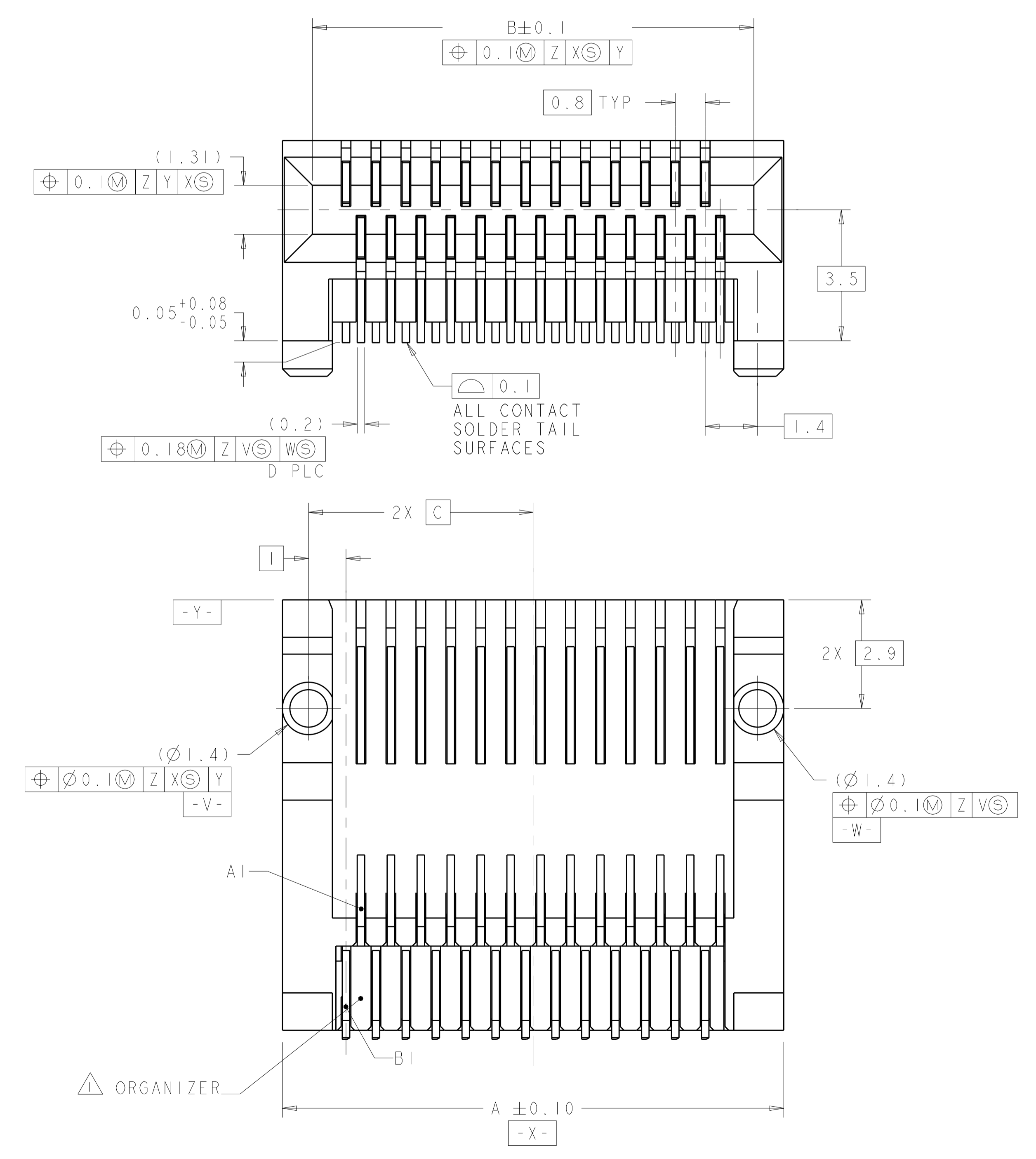


LOC		DIST		REVISIONS				
GP	00	P	LTN	DESCRIPTION	DATE	DWN	APVD	
		A2		REVISED PER ECO-11-004835	11MAR2011	RK	HMR	
		A3		REVISED PER ECO-14-010818	27OCT2016	RG	SH	
		B		REVISED PER ECO-17-017261	02MAY2018	TX	SH	



26 POSITION RECEPTACLE
SCALE 9:1

- △ MATERIAL: LCP, BLACK.
- △ MATERIAL: PHOSPHOR BRONZE PER ASTM B 103.
- △ FINISH: 0.76µm MIN GOLD PLATE PER ASTM B 488, APPLIES TO INTERFACE AREA AND 2.03µm MIN TIN PLATE SOLDER TAILS, ALL OVER 3.81µm MIN NICKEL PLATE PER QQ-N-290.
- △ DATUM AND BASIC DIMENSION ESTABLISHED BY CUSTOMER.
- △ FINISH: 0.38µm MIN GOLD PLATE PER ASTM B 488, APPLIES TO INTERFACE AREA AND 2.03µm MIN TIN PLATE SOLDER TAILS, ALL OVER 3.81µm MIN NICKEL PLATE PER QQ-N-290.



FINISH	PACKAGING	PART NUMBER						
		E	D	C	B	A	POSN	
△ 5	TAPE AND REEL	16.80	38	8.40	16.60	18.20	38	1-1761987-8
		16.00	36	8.00	15.80	17.40	36	1-1761987-7
		12.00	26	6.00	11.80	13.40	26	1-1761987-6
	TUBE	28.80	68	14.80	28.60	30.20	68	1-1761987-5
		16.80	38	8.40	16.60	18.10	38	1-1761987-4
		23.20	54	11.60	23.00	24.60	54	1-1761987-3
△ 3	TAPE AND REEL	16.00	36	8.00	15.80	17.40	36	1761987-1
		12.00	26	6.00	11.80	13.40	26	1761987-0
		16.80	38	8.40	16.60	18.20	38	1761987-9
	TUBE	28.80	68	14.80	28.60	30.20	68	1761987-6
		16.80	38	8.40	16.60	18.20	38	1761987-5
		23.20	54	11.60	23.00	24.60	54	1761987-4
		16.00	36	8.00	15.80	17.40	36	1761987-2
		12.00	26	6.00	11.80	13.40	26	1761987-1

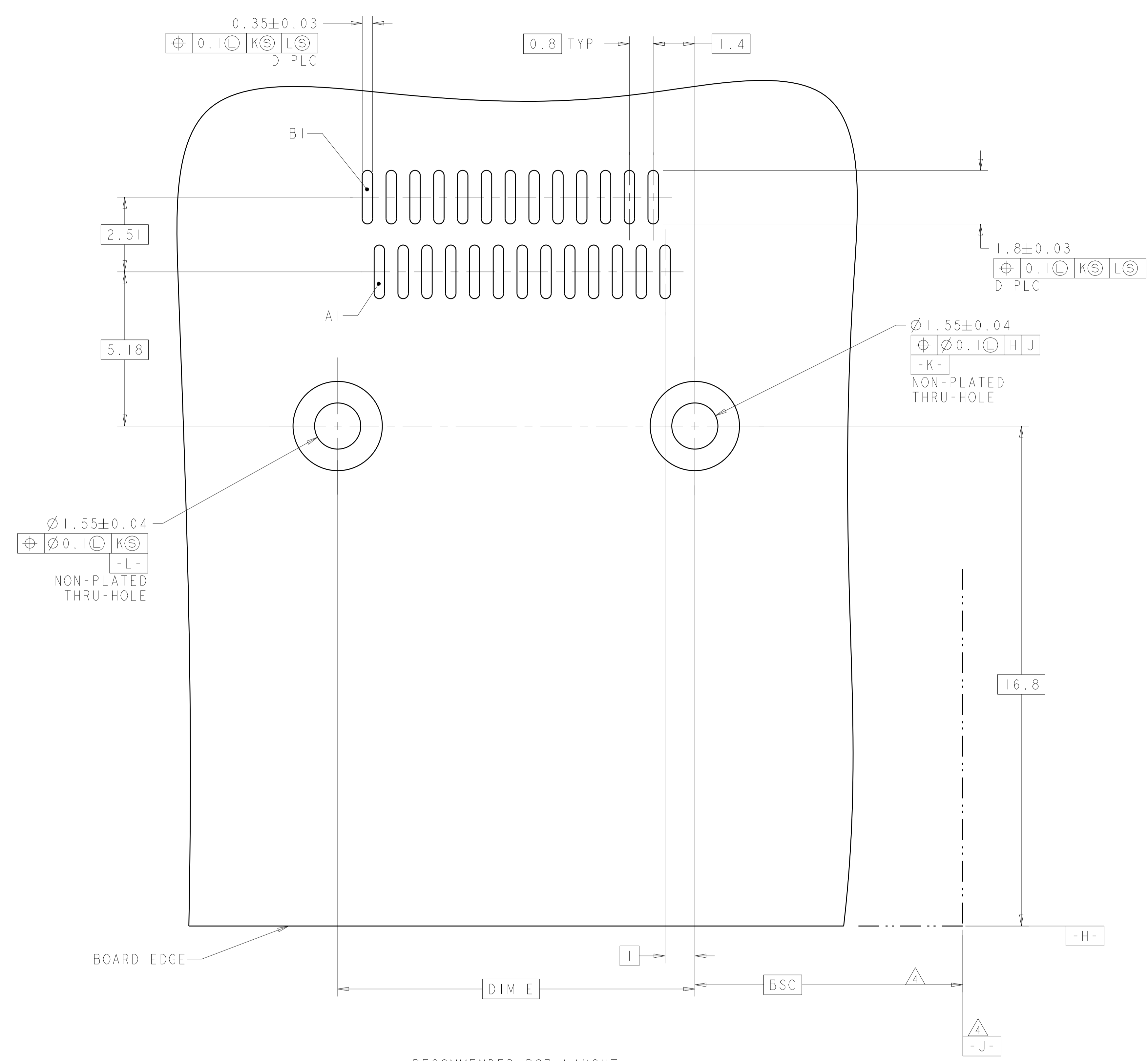
THIS DRAWING IS A CONTROLLED DOCUMENT. DIMENSIONS: mm. TOLERANCES UNLESS OTHERWISE SPECIFIED: 0 PLC ±, 1 PLC ±, 2 PLC ±, 3 PLC ±, 4 PLC ±, ANGLES ±. MATERIAL: SEE NOTES. FINISH: SEE TABLE.

OWN: M.E. CONHEP, 28JUN2005. CHK: R.R. HENRY, 28JUN2005. APVD: R.R. HENRY, 28JUN2005. NAME: EVERCLEAR Mini-SAS RECEPTACLE CONNECTOR ASSEMBLY, RIGHT ANGLE, SURFACE MOUNT. PRODUCT SPEC: 108-2234. APPLICATION SPEC: -.

SIZE: A1. CAGE CODE: 100779. DRAWING NO: 1761987. SHEET: 1 OF 2. REV: B.

SCALE: 12:1. SHEET: 1 OF 2. REV: B.

LOC	DIST	REVISIONS					
GP	00	P	LTN	DESCRIPTION	DATE	DMN	APVD
		-		SEE SHEET 1			



RECOMMENDED PCB LAYOUT

THIS DRAWING IS A CONTROLLED DOCUMENT.		DMN M. E. CONNER 28JUN2005	TE Connectivity
DIMENSIONS:		CHK R. R. HENRY 28JUN2005	
mm	TOLERANCES UNLESS OTHERWISE SPECIFIED:	APVD R. R. HENRY 28JUN2005	NAME EVERCLEAR Mini-SAS RECEPTACLE CONNECTOR ASSEMBLY, RIGHT ANGLE, SURFACE MOUNT
	0 PLC ±	PRODUCT SPEC	SIZE 108-2234
	1 PLC ±	APPLICATION SPEC	RESTRICTED TO
	2 PLC ±	WEIGHT	A100779C=1761987
	3 PLC ±	CUSTOMER DRAWING	SCALE 12:1 SHEET 2 OF 2 REV B
	4 PLC ±		
ANGLES	FINISH		