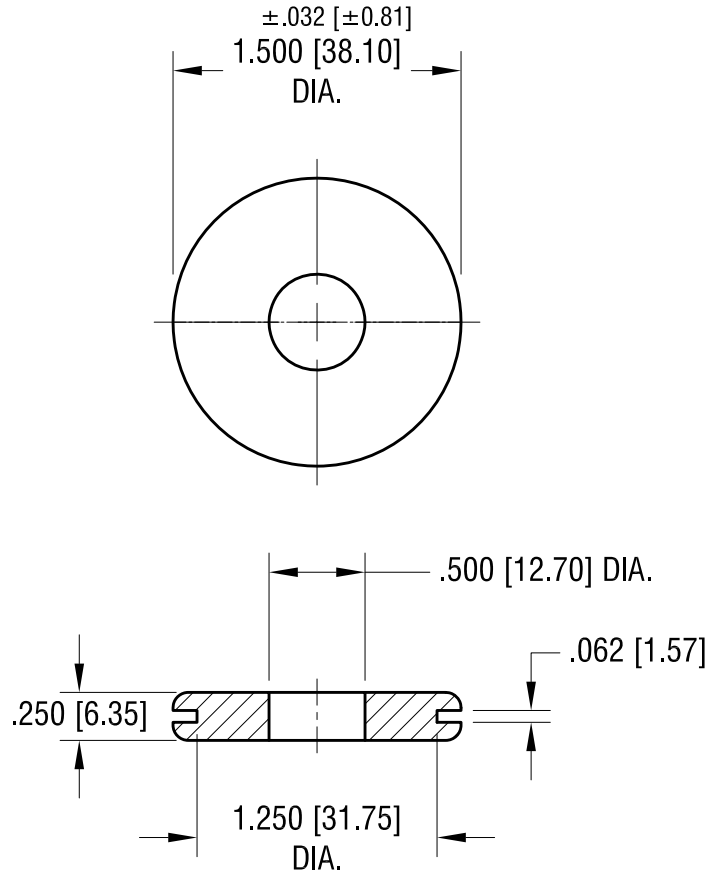


THIS DOCUMENT IS THE PROPERTY OF
KEYSTONE ELECTRONICS CORP. AND
SHALL NOT BE REPRODUCED, DISTRIBUTED
OR USED AS A BASIS FOR MANUFACTURE
WITHOUT PRIOR WRITTEN PERMISSION
FROM KEYSTONE ELECTRONICS CORP.



KEYSTONE ELECTRONICS CORP.

www.keyelco.com • ASTORIA, N.Y. 11105-2017 • Tel (718) 956-8900

PART NAME		RUBBER GROMMET	
MATERIAL		BUNA N	
FINISH	DRN BY	DATE	
-	BOONE	9.16.96	
	APP'D	SCALE	
	LN	1X	
TOLERANCES	INCH [MM]	CODE	DWG NO.
DECIMAL	±.020 [±0.50]	C	748
ANGULAR	± 1°		
UNLESS OTHERWISE SPECIFIED			

1.02.08	CHANGE AS PER ECN 08-017	A
DATE	DESCRIPTION	REV.