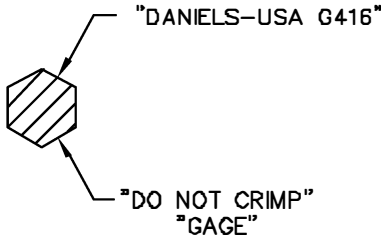
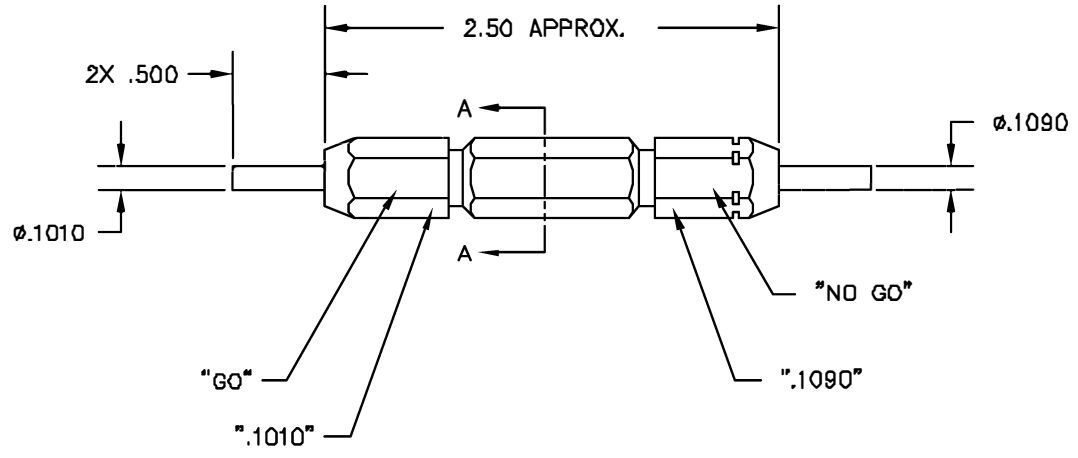



| REVISIONS | | | | |
|-----------|---------------|------------------|----------------|----------------|
| REV. SYM. | E.C.D. NUMBER | DESCRIPTION | BY DATE | APP'D DATE |
| 1 | | ORIGINAL RELEASE | JWJ 2/18/02 | RRR 2/18/02 |



SECTION A-A



**UNCONTROLLED DOCUMENT
WILL NOT BE UPDATED**

| | | | | | |
|---|------------|------------------|-----------------|---|---------------------|
| RESTRICTED & CONFIDENTIAL CONFIDENTIAL PROPERTY OF DANIELS MANUFACTURING CORP. NOT TO BE DISCLOSED TO OTHERS, REPRODUCED OR USED FOR ANY OTHER PURPOSE, EXCEPT AS AUTHORIZED IN WRITING BY DANIELS MANUFACTURING. MUST BE RETURNED TO DANIELS MANUFACTURING CORP. ON COMPLETION OF ORDER OR OTHER PURPOSE FOR WHICH LENT. | MATERIAL | ITEM | PART NO. | QTY. | DESCRIPTION/REMARKS |
| | HEAT TREAT | DRN. J. JOYCE | DATE 2/18/02 |  DANIELS MANUFACTURING CORP. ORLANDO, FLORIDA GAGE 11851 | |
| | FINISH | CHK'D RRR | DATE 2/18/02 | | |
| DO NOT SCALE DRAWING | | APP'D. | DATE | TITLE GO/NO-GO GAGE ENVELOPE DRAWING | |
| | | APP'D. | DATE | WHERE USED: SIZE B SCALE NTS CAD P/N G416-ENV SHEET 1 OF 1 POSTING P/N G416-ENV REV. 1 | |