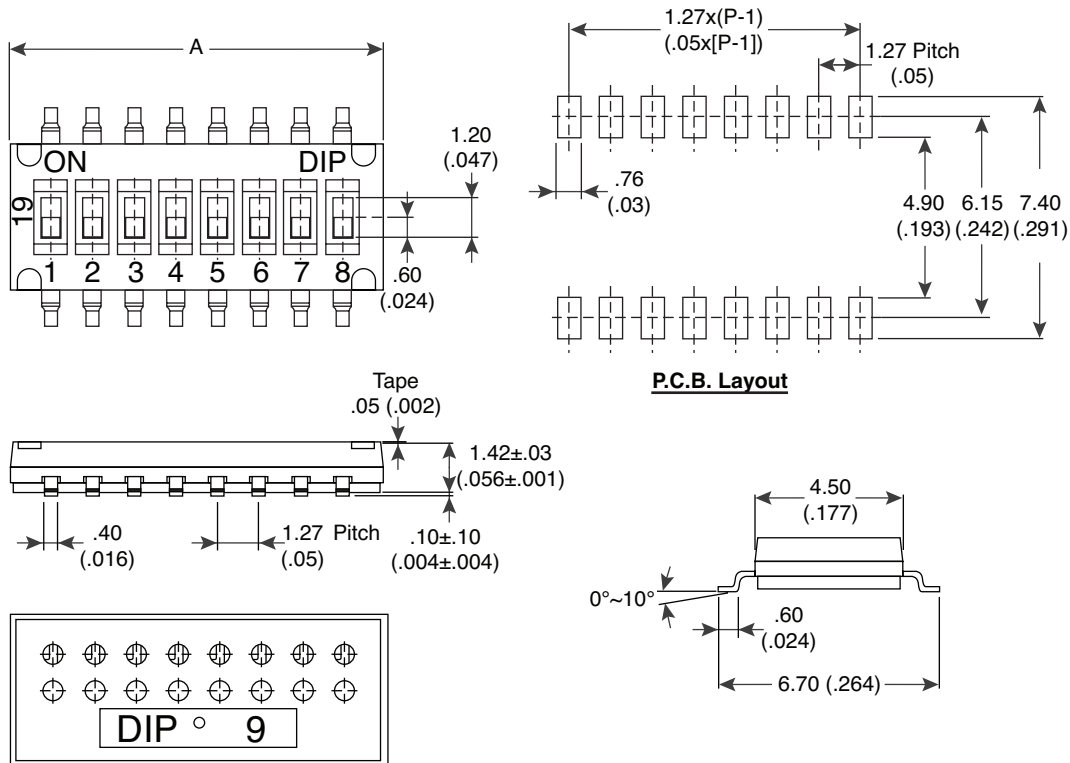
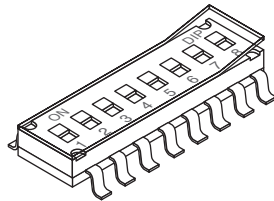


Dimensions: mm (in.)



**Electrical Specifications:**

- Rating: Non-switching: 100mA/50V DC  
Switching: 25mA/24V DC
- Contact resistance: 100mΩ max. (initial)
- Insulation resistance: 100MΩ min.

**Note:**

- RoHS Compliant

**Mechanical Specifications:**

- Operating temperature: -40°C ~ +85°C
- Operation force: 500gf max.

Mouser Stock No.	No. of Pos.	Dim A. mm (In.)	Top Tape
106-DHN2-EV	2	3.77 (.148)	without
106-DHN4-EV	4	6.31 (.248)	without
106-DHN6T-EV	6	8.85 (.348)	with
106-DHN8T-EV	8	11.39 (.448)	with
106-DHN10T-EV	10	13.93 (.548)	with

**Dip Switches**

106-DHN2-EV, 106-DHN4-EV, 106-DHN6T-EV,  
106-DHN8T-EV, 106-DHN10T-EV

