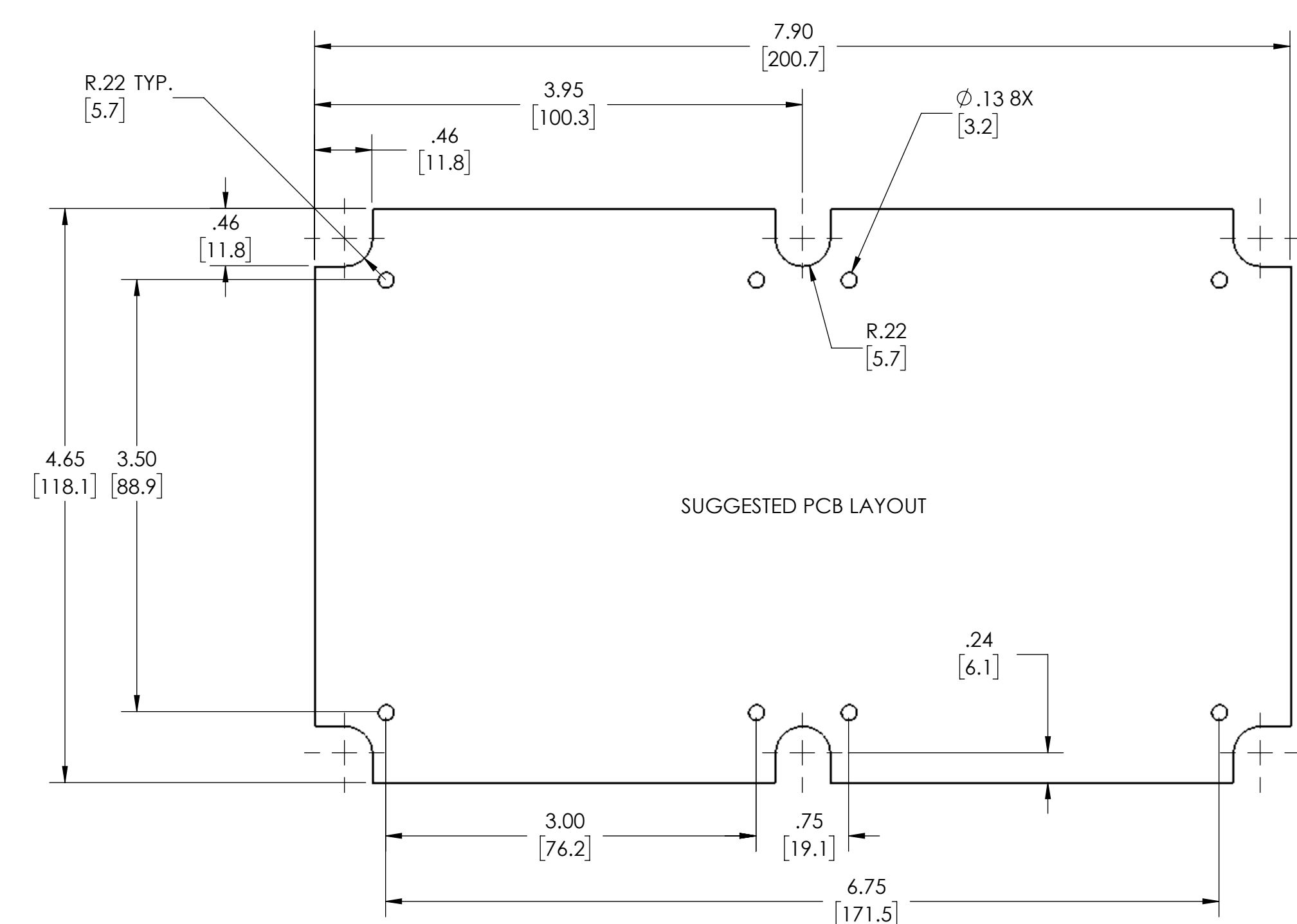
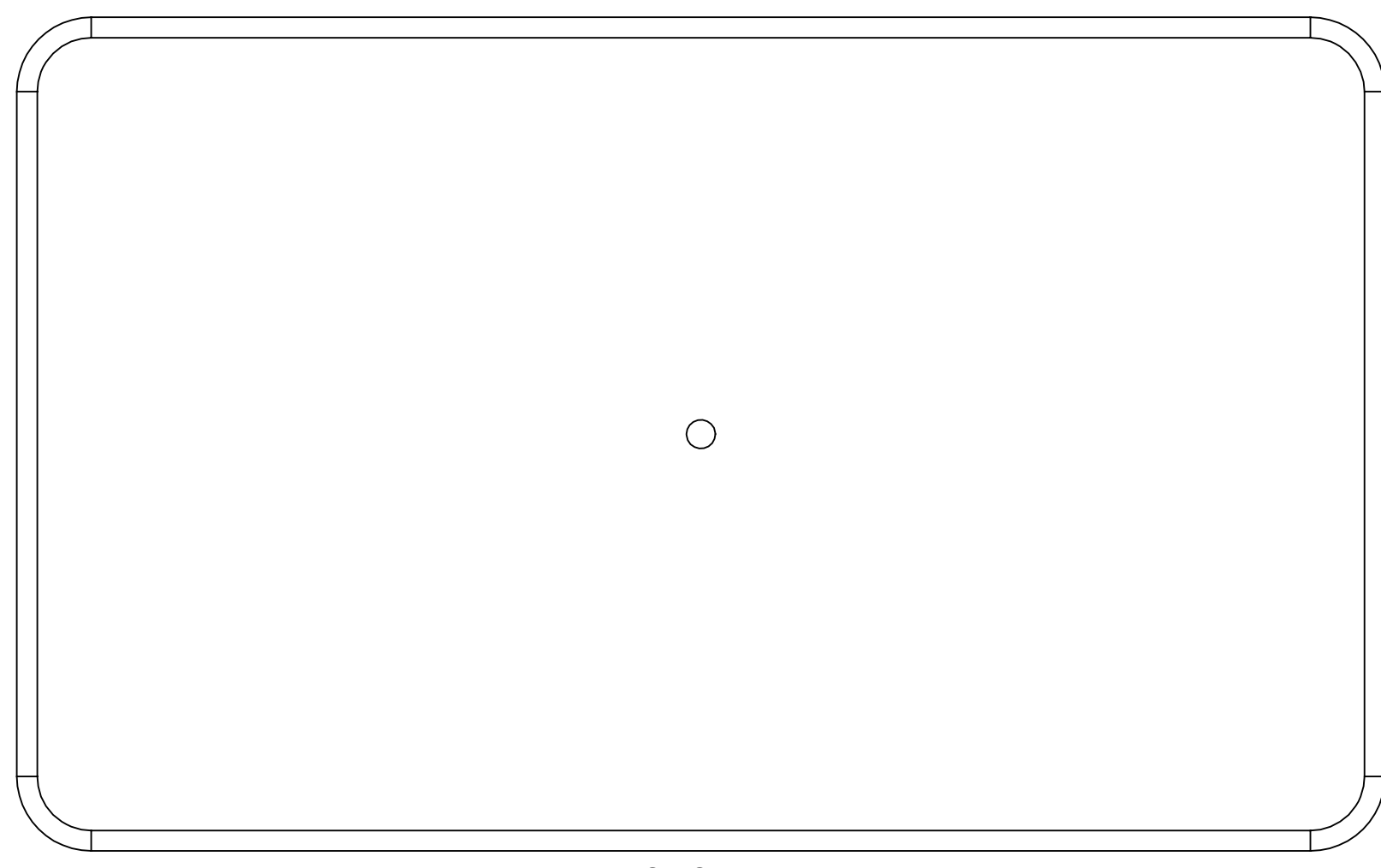
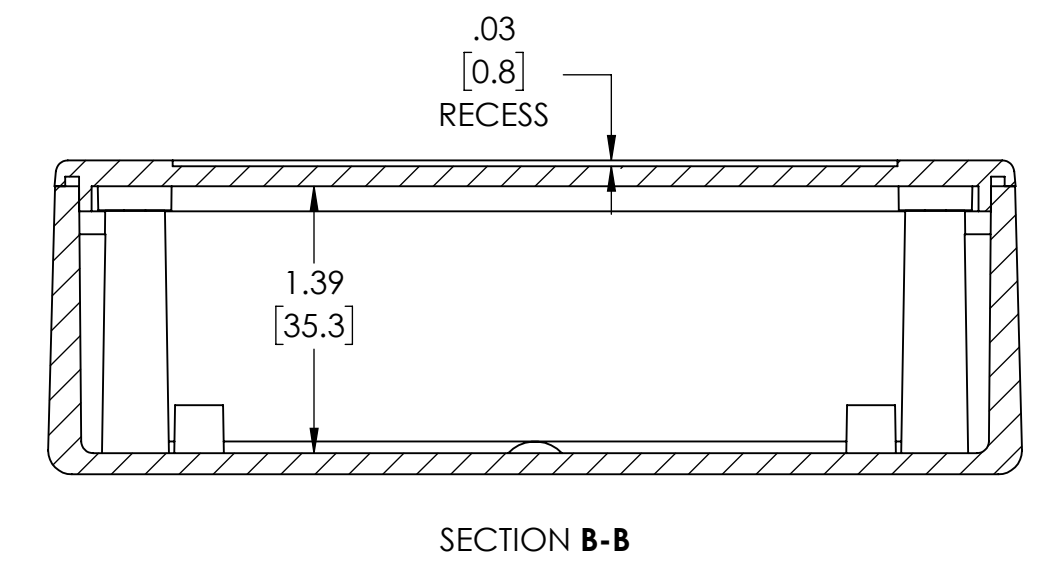
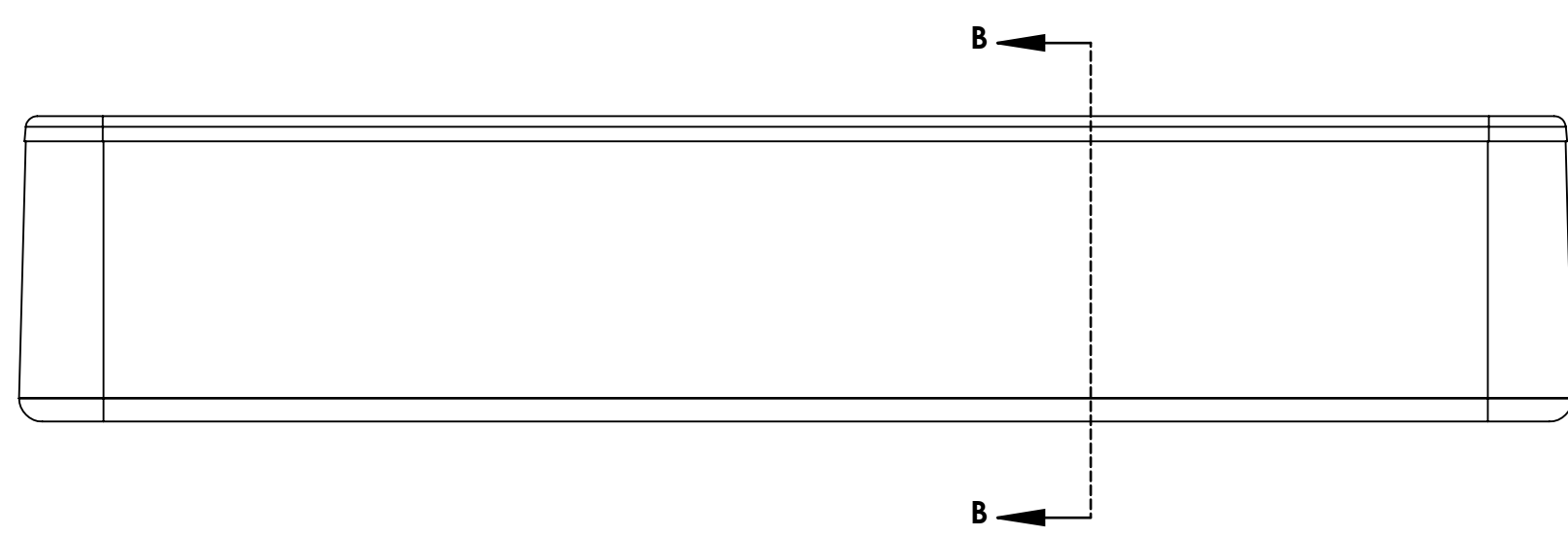
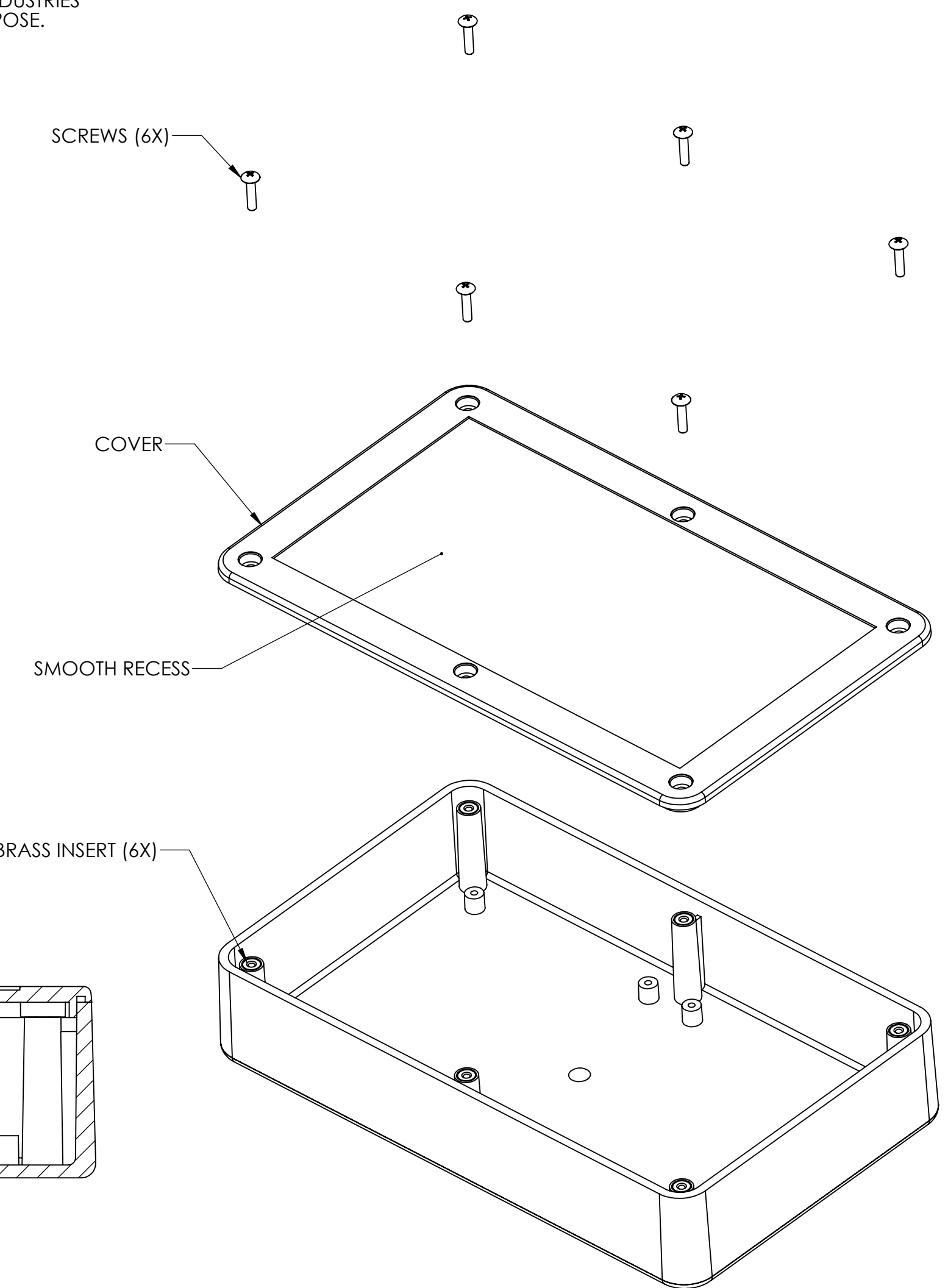
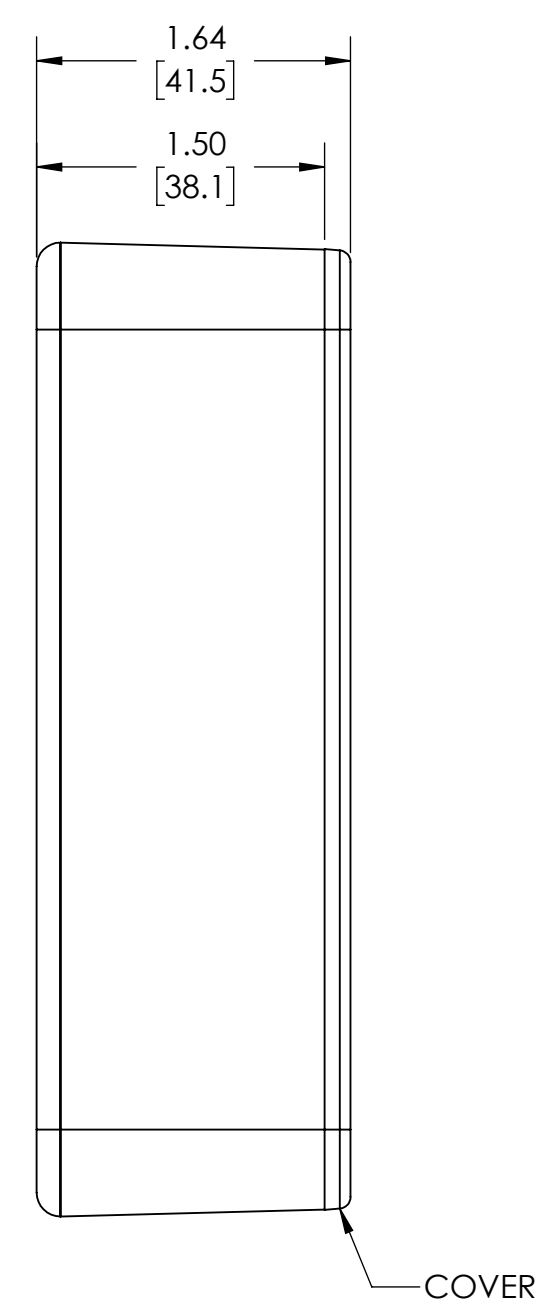
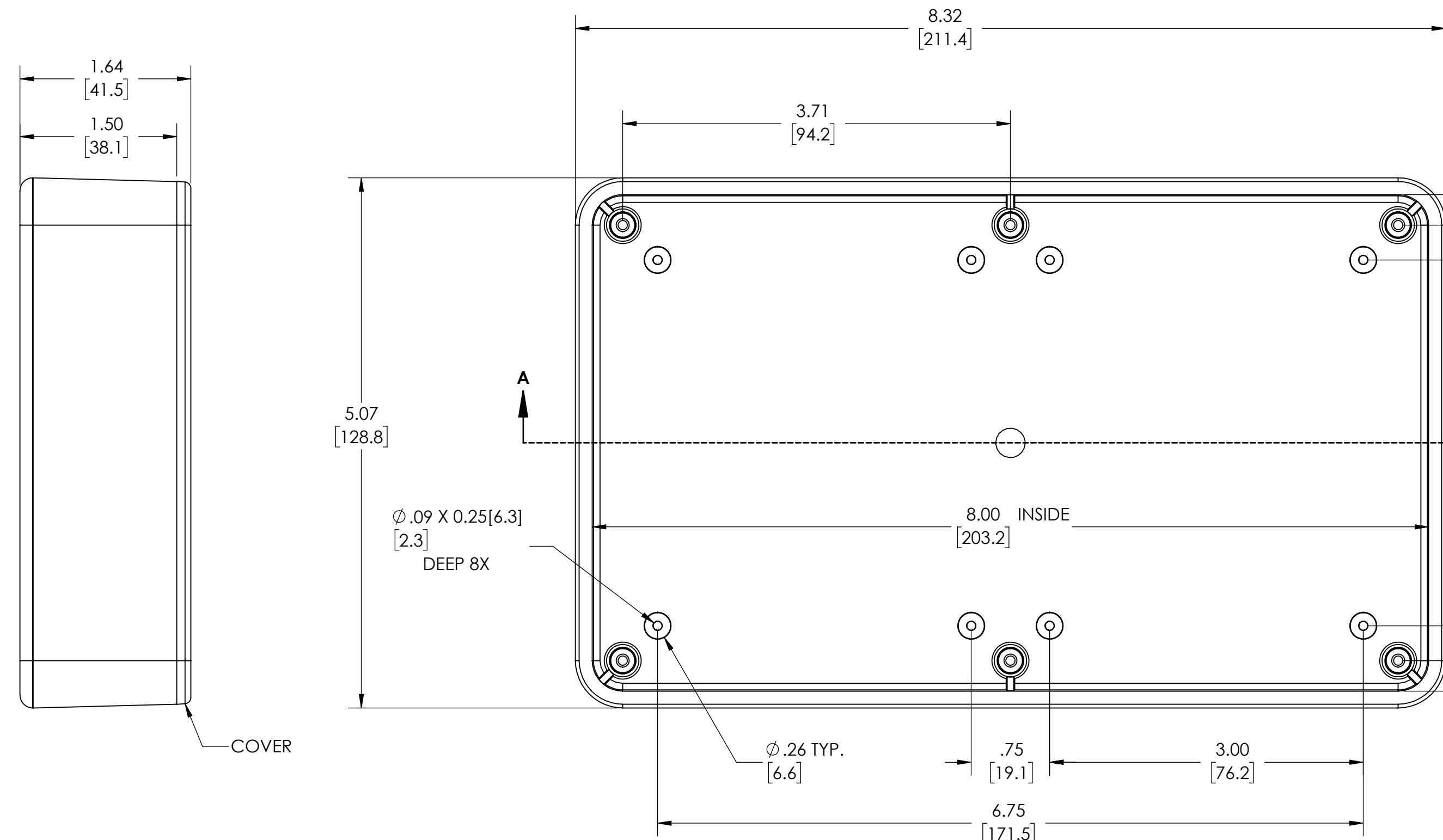


DRAWING FOR REFERENCE
 WE RESERVE THE RIGHT TO MAKE CHANGES TO OUR STANDARD PRODUCTS. PLEASE CONSULT WITH BUD INDUSTRIES PRIOR TO USING THIS DRAWING FOR DESIGN PURPOSE.



NOTES:
 1- MATERIAL: BASE - BLACK ABS UL94-5VA
 SMOOTH RECESSED COVER - BLACK ABS UL94V-0
 2- DIMENSIONS ARE INCH [MM]

