

THIS DRAWING IS UNPUBLISHED.

RELEASED FOR PUBLICATION

2013

© COPYRIGHT 2013 BY -

ALL RIGHTS RESERVED.

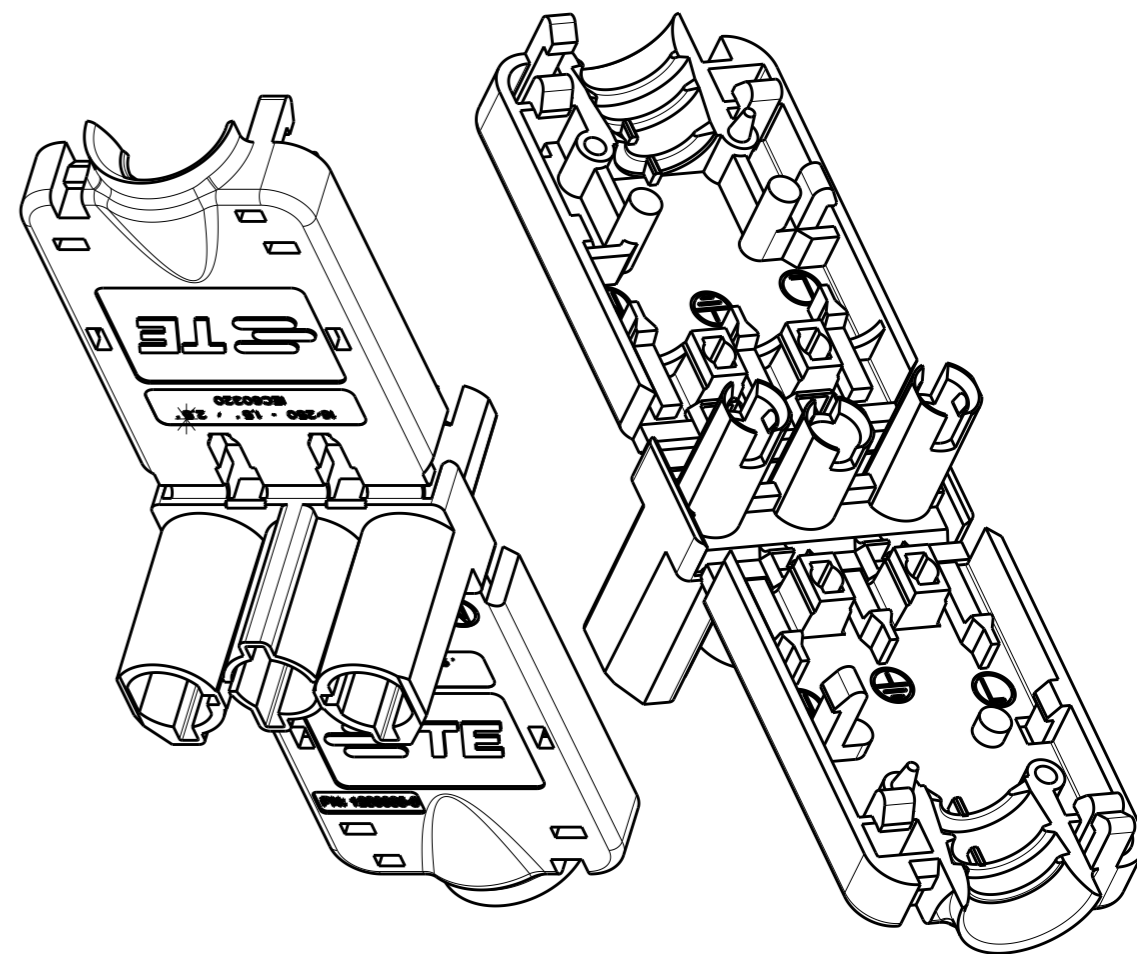
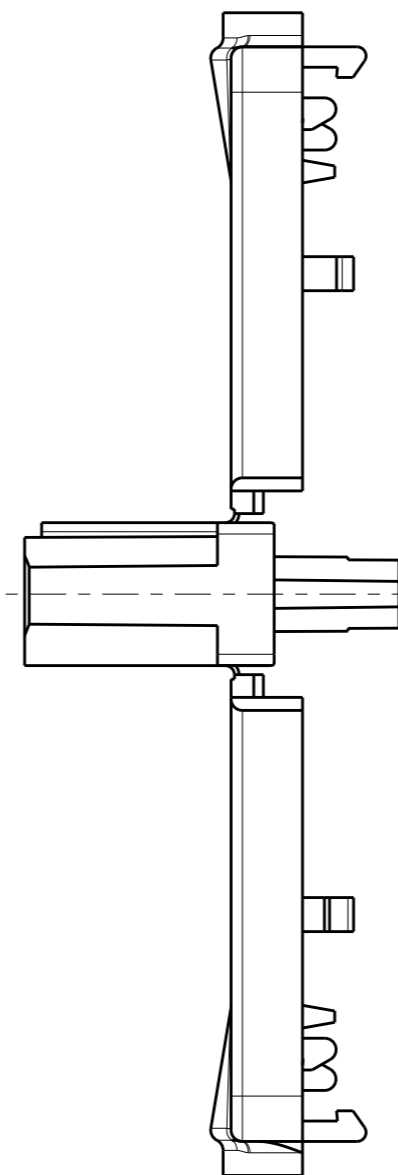
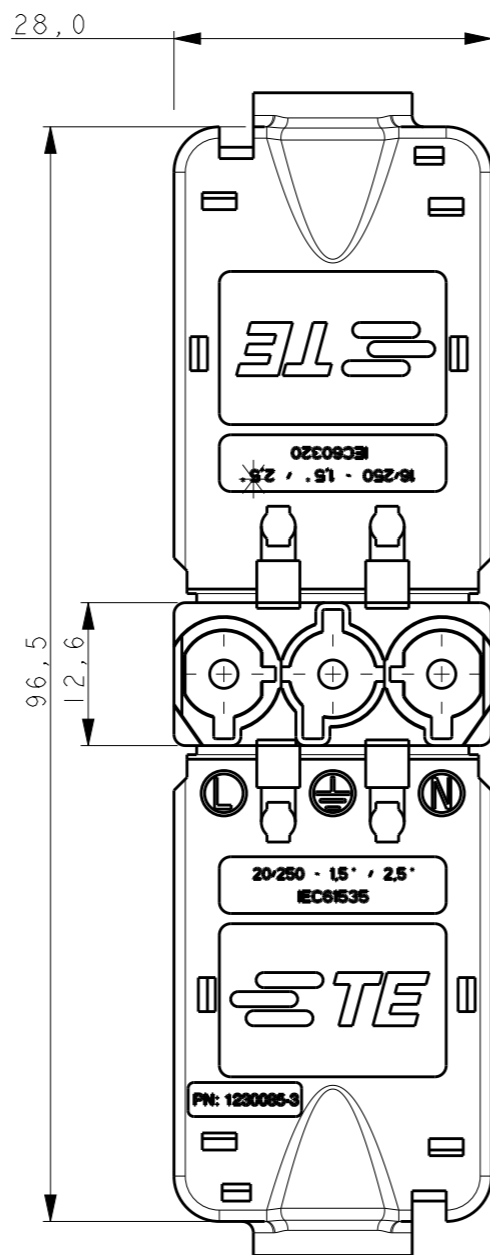
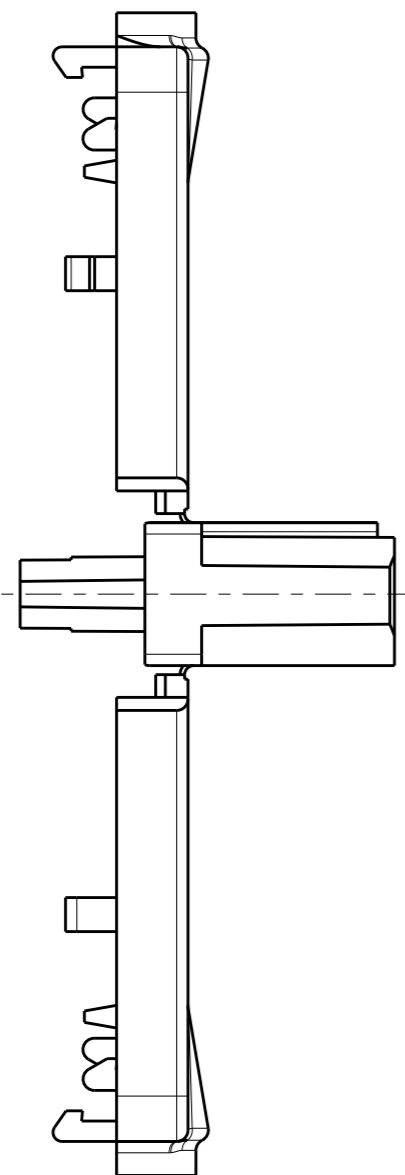
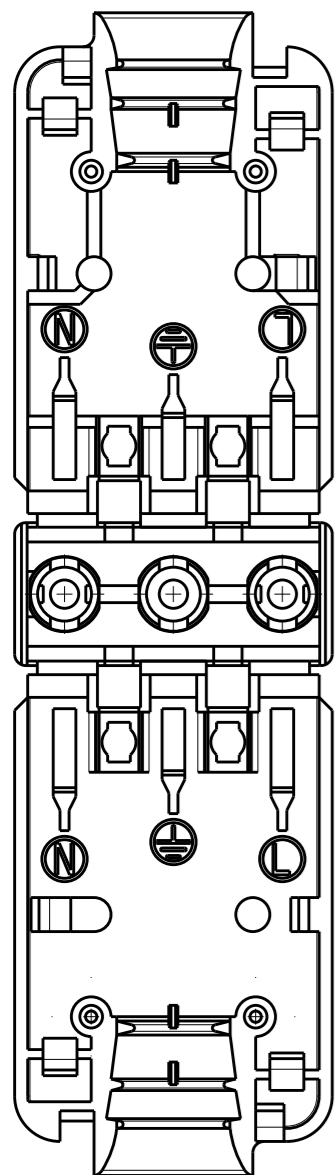
LOC
H

DIST
-

REVISIONS

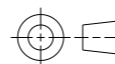
P	LTR	DESCRIPTION	DATE	DWN	APVD
G		ECR-13-010703	02JUL2013	DJS	JC
H		ECR-13-016009	15OCT2013	DJS	JC
J		ECR-13-017414	07NOV2013	DJS	JC
K		ECR-14-012732	12AUG2014	KR	JC

NOTES:
I COLOUR: BLACK



THIS DRAWING IS A CONTROLLED DOCUMENT.

DIMENSIONS:
mm



TOLERANCES UNLESS OTHERWISE SPECIFIED:

0 PLC	±-
1 PLC	±-
2 PLC	±-
3 PLC	±-
4 PLC	±-
ANGLES	±° .,'

MATERIAL PA6

FINISH -

DWN A.V. ROESSEL

CHK M.V. DRIEL

APVD M.V. DRIEL

PRODUCT SPEC -

APPLICATION SPEC -

WEIGHT -

Customer Drawing



TE Connectivity

NAME
TE NECTOR, MALE CABLE CONNECTOR

SIZE CAGE CODE DRAWING NO RESTRICTED TO

A300779 C-1230085-3

SCALE 3:2 SHEET 1 OF 1 REV K