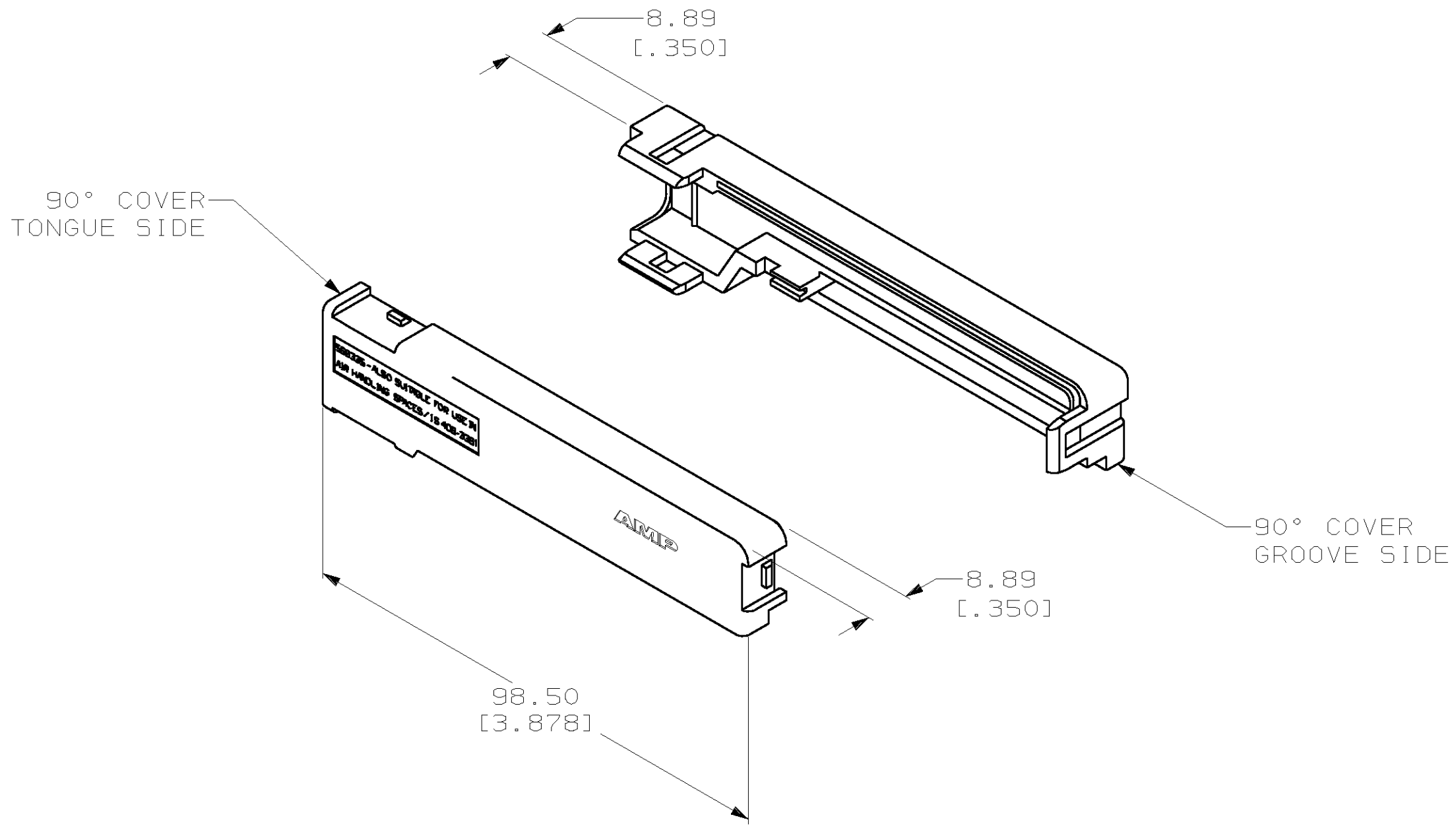


THIS DRAWING IS UNPUBLISHED. RELEASED FOR PUBLICATION ,19 .
 © COPYRIGHT 19 BY AMP INCORPORATED. ALL RIGHTS RESERVED.

LOC	DIST	REVISIONS			
P	LTR	DESCRIPTION	DATE	DWN	APVD
AA	20	B	OBSOLETE: -2 PER EC 0515-0321-02	21JAN03	DLD/RPM

1. THIS KIT SHIPPED NOT ASSEMBLED.



BLACK	569335-3
ALMOND	569335-1
COLOR	PART NUMBER

THIS DRAWING IS A CONTROLLED DOCUMENT FOR AMP INCORPORATED. IT IS SUBJECT TO CHANGE AND THE CONTROLLING ENGINEERING ORGANIZATION SHOULD BE CONTACTED FOR THE LATEST REVISION.		DWN DL DRUMMOND	5-09-95	AMP Incorporated Harrisburg, PA 17105-3608											
DIMENSIONS: mm [INCHES]		CHK N. JONES	5-12-95												
TOLERANCES UNLESS OTHERWISE SPECIFIED:		APVD M. HUGHES	5-19-95												
<table border="1"> <tr><td>0 PLC</td><td>±-</td></tr> <tr><td>1 PLC</td><td>±-</td></tr> <tr><td>2 PLC</td><td>±-</td></tr> <tr><td>3 PLC</td><td>±0.13 [.005]</td></tr> <tr><td>4 PLC</td><td>±-</td></tr> <tr><td>ANGLES</td><td>±-</td></tr> </table>		0 PLC	±-		1 PLC	±-	2 PLC	±-	3 PLC	±0.13 [.005]	4 PLC	±-	ANGLES	±-	PRODUCT SPEC
0 PLC	±-														
1 PLC	±-														
2 PLC	±-														
3 PLC	±0.13 [.005]														
4 PLC	±-														
ANGLES	±-														
MATERIAL	-	FINISH	-	NAME COVER KIT, 90 DEGREE, 50 POSITION, CHAMP SYSTEM 5											
-		WEIGHT	-	SIZE A3											
-		CUSTOMER DRAWING		CAGE CODE 00779											
-		-		DRAWING NO C-569335											
-		-		SCALE 1:1											
-		-		SHEET 1 OF 1											
-		-		REV B											