



Main

Range of product	Modicon M171
Product or component type	Display module
Display colour	Monochrome
Supply	External source

Complementary

Display type	Matrix backlit LCD
Number of key	5
Display resolution	240 x 140 pixels
Color	Grey
[Us] rated supply voltage	12 V AC 24 V DC 24 V AC
Power consumption in W	5 W 0 W
Marking	CE
Realtime clock	With realtime clock
Local signalling	1 LED green 1 LED red 1 LED yellow
Product compatibility	Logic controller M171 performance
Height	6.3 in (160 mm)
Width	3.54 in (90 mm)
Depth	1.06 in (27 mm)
Product weight	0.43 lb(US) (0.197 kg)

Environment

standards	RoHS compliant
product certifications	CURus REACH
IP degree of protection	IP65 on front face

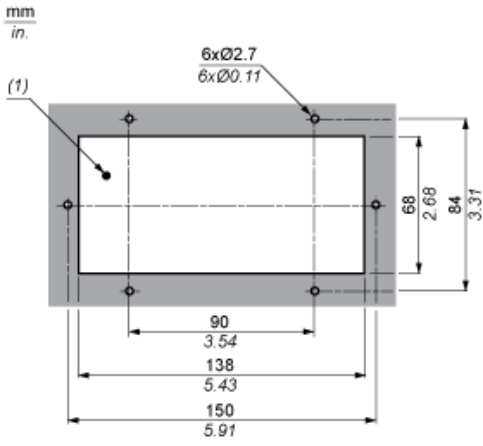
Offer Sustainability

Not Green Premium product	Not Green Premium product
Compliant - since 1427 - Schneider Electric declaration of conformity	Compliant - since 1427 - Schneider Electric declaration of conformity
Reference not containing SVHC above the threshold	Reference not containing SVHC above the threshold
WARNING: This product can expose you to chemicals including:	WARNING: This product can expose you to chemicals including:
Lead and lead compounds which is known to the State of California to cause cancer and birth defects or other reproductive harm.	Lead and lead compounds which is known to the State of California to cause cancer and birth defects or other reproductive harm.
For more information go to www.p65warnings.ca.gov	For more information go to www.p65warnings.ca.gov

Mounting

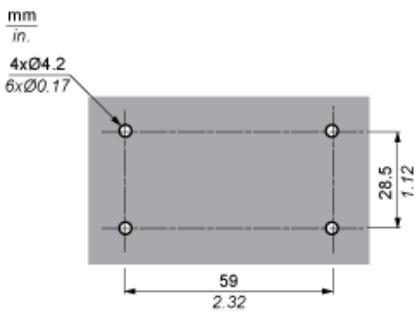
The information provided in this documentation contains general descriptions and/or technical characteristics of the performance of the products contained herein. This documentation is not intended as a substitute for and is not to be used for determining suitability or reliability of these products for specific user applications. It is the duty of any such user or integrator to perform the appropriate and complete risk analysis, evaluation and testing of the products with respect to the relevant specific application or use thereof. Neither Schneider Electric Industries SAS nor any of its affiliates or subsidiaries shall be responsible or liable for misuse of the information contained herein.

Panel Mounting

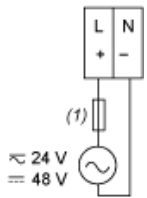


(1) Panel cut out

Wall Mounting

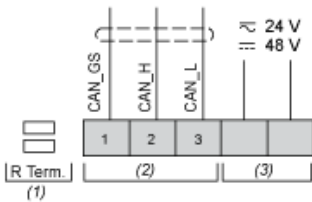


Power Supply



(1) Type T 630 mA fuse

CAN Expansion Bus Port



- (1) CAN terminal resistance
- (2) CAN
- (3) Power In