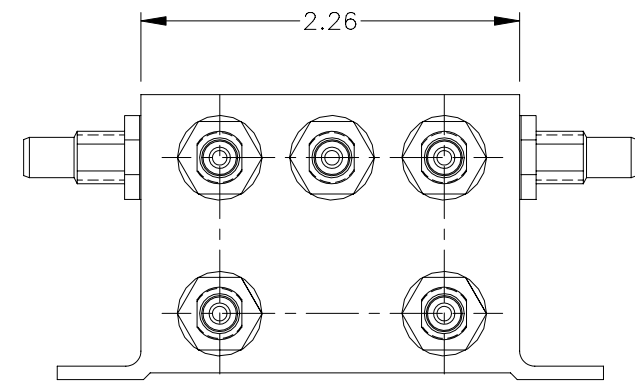
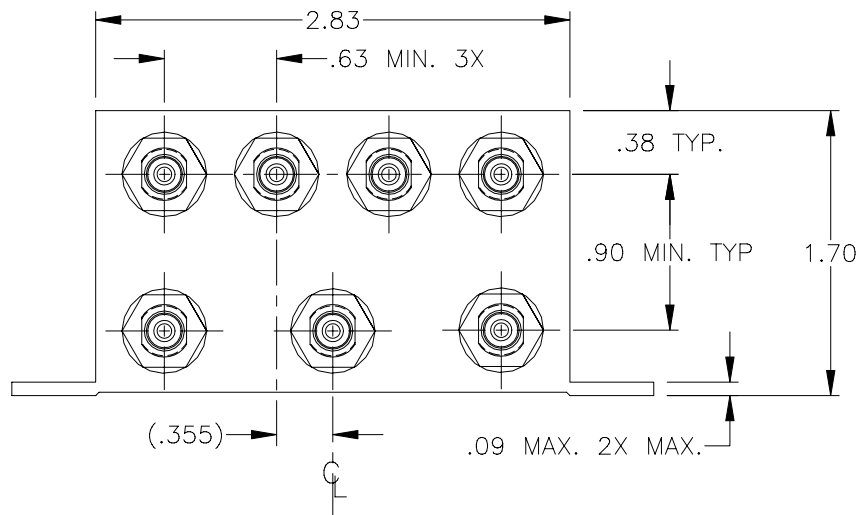
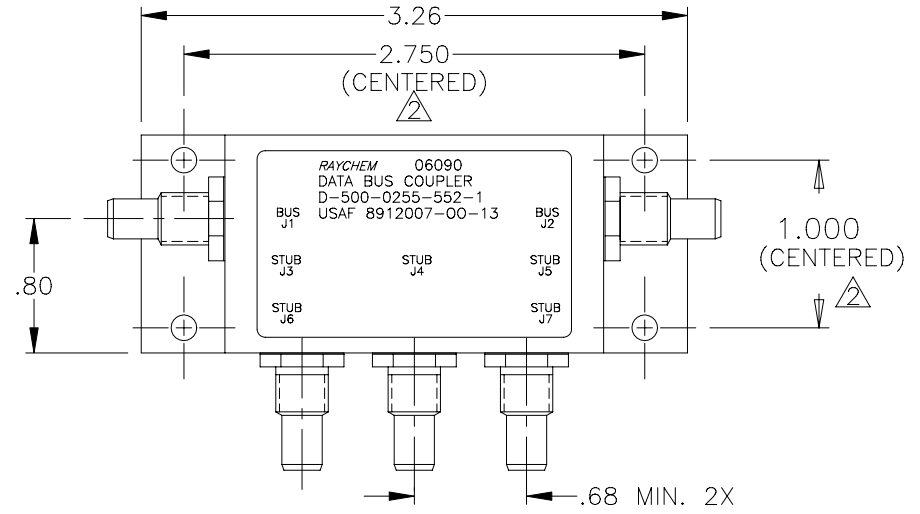
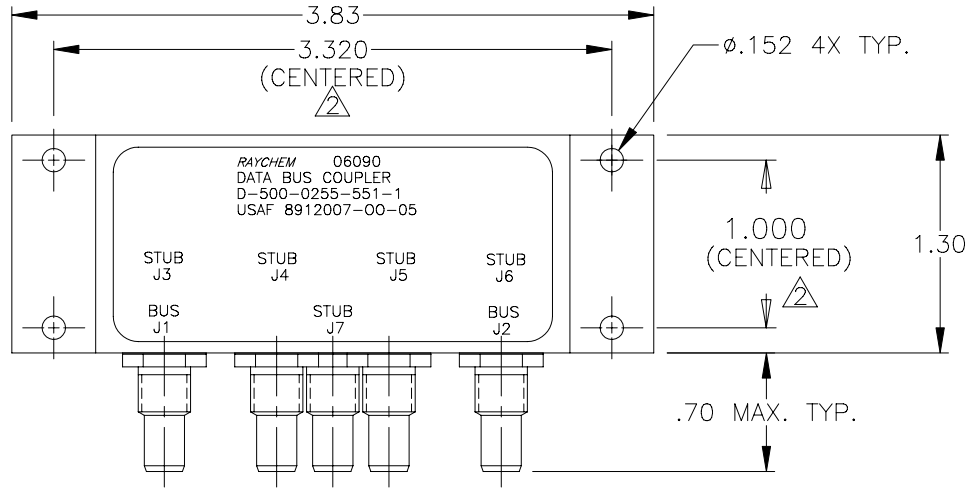


REVISIONS			
LTR	DESCRIPTION	DATE	APPROVED
N/C	INITIAL RELEASE PER ECN# T-16884	92 JAN 15	Z. TEMAN
A	REVISED PER ECN# T-20121		



FACE MOUNT BUS CONFIGURATION
D-500-0255-551-1

SIDE MOUNT BUS CONFIGURATION
D-500-0255-552-1

- 3 WEIGHT: D-500-0255-551-1 195 grams MAX.
D-500-0255-552-1 170 grams MAX.
- 2 HOLE PATTERN MACHINED SYMMETRIC TO MOUNTING FLANGE.
1. ORIENTATION OF CONNECTORS IS APPROXIMATELY AS SHOWN.

NOTES:

If this document is printed it becomes uncontrolled.
Check for the latest revision.

SPECIFICATION CONTROL DRAWING

UNLESS OTHERWISE SPECIFIED DIMENSIONS ARE IN INCHES. METRIC DIMENSIONS ARE IN BRACKETS.	DRAWN	J.B.K.	91 NOV 4		Tyco Electronics Corporation 300 Constitution Drive Menlo Park, CA. 94025 U.S.A.						
	CHECKED										
	DECIMALS	.XXX ± .010	[— mm]	TITLE	5 STUB DATA BUS BOX COUPLER WITH THREADED TRIAXIAL CONNECTORS						
	ANGLES	.XX ± .03	[— mm]	APPROVED	Z.TEMAN	92 JAN 15					
WEIGHT	.X ± —		CAD NAME	009154-1.DWG							
			THIRD ANGLE PROJECTION	SIZE	A	CODE IDENT. NO.	06090	DWG. NO.	D-500-0255-551/552-1	REV	A
				DO NOT SCALE THIS DRAWING				SHEET 1 OF 2			

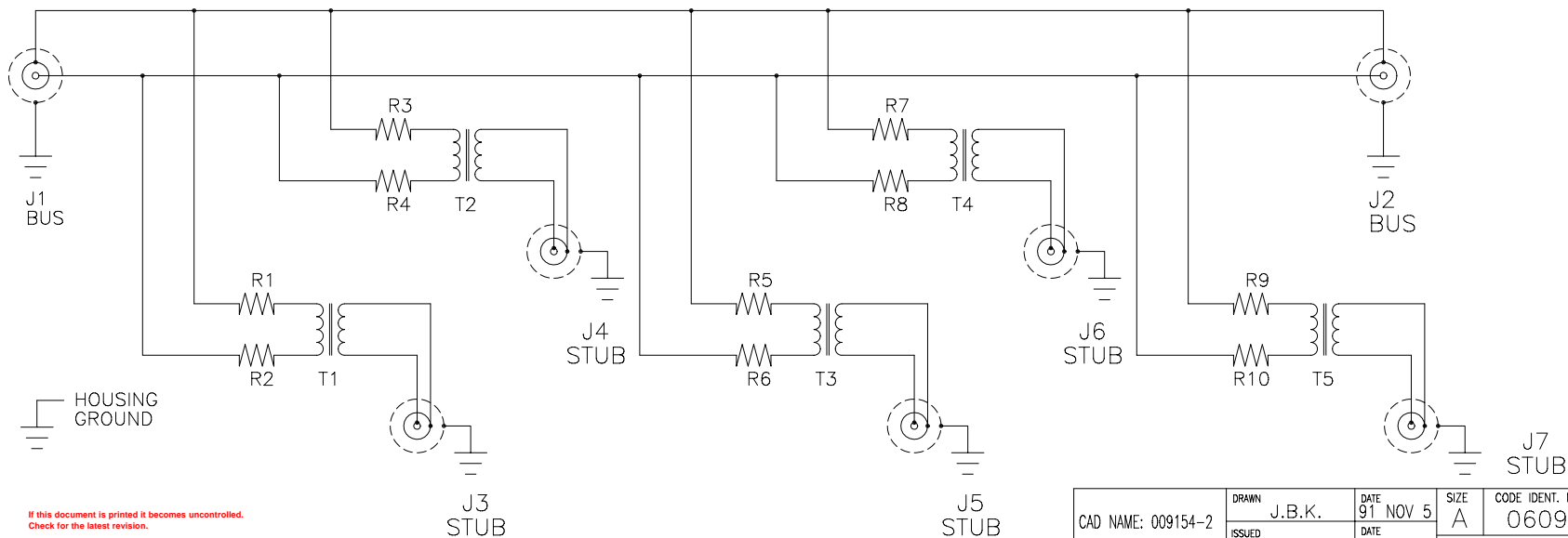
1.0 INTERMATEABILITY

BUS JACKS J1 AND J2	MATING PLUG
DK-621-0412-P (8340711-00-01)	DK-621-0411-S (8340709-00-02)

STUB JACK J3 THRU J7	MATING PLUG
DK-621-0412-S (8340711-00-02)	DK-621-0411-P (8340709-00-01)

2.0 PERFORMANCE

- 2.1 THIS COUPLER IS DESIGNED TO MEET THE APPLICABLE FUNCTIONAL REQUIREMENT OF RAYCHEM SPECIFICATION D-6021 AND USAF 8912007.
- 2.2 THE COUPLER SHALL OPERATE UNDER ANY OF THE ENVIRONMENTAL SERVICE CONDITIONS AS SPECIFIED IN MIL-E-5400, CLASS V UPGRADED TO 125°C CONTINUOUS OPERATION.
- 2.3 ALTITUDE: SEA LEVEL TO 75,000 FEET

SCHEMATIC DIAGRAM

If this document is printed it becomes uncontrolled.
Check for the latest revision.

CAD NAME: 009154-2	DRAWN J.B.K.	DATE 91 NOV 5	SIZE A	CODE IDENT. NO. 06090	DWG. NO. D-500-0255-551/552-1
	ISSUED	DATE	DO NOT SCALE THIS DRAWING		SHEET 2 OF 2