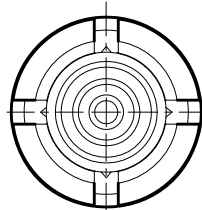
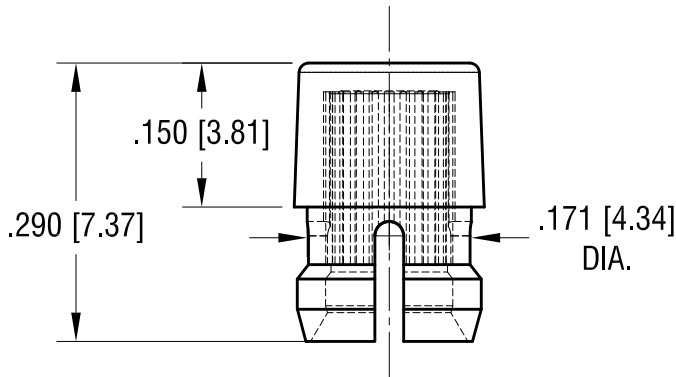
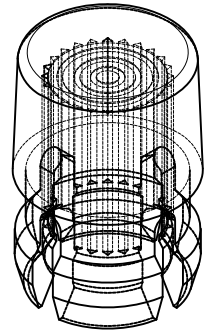
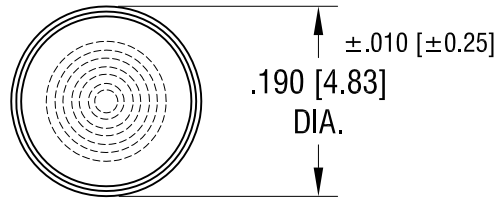


THIS DOCUMENT IS THE PROPERTY OF KEYSTONE ELECTRONICS CORP. AND SHALL NOT BE REPRODUCED, DISTRIBUTED OR USED AS A BASIS FOR MANUFACTURE WITHOUT PRIOR WRITTEN PERMISSION FROM KEYSTONE ELECTRONICS CORP.



PART NO.	COLOR
8650	RED
8651	GREEN
8652	YELLOW
8653	CLEAR

KEYSTONE ELECTRONICS CORP.			
www.keyelco.com • ASTORIA, N.Y. 11105-2017 • Tel (718) 956-8900			
PART NAME			
LED ROUND LENS CAP			
MATERIAL			
POLYCARBONATE			
FINISH		DRN BY	DATE
-		BOONE	2.9.96
		APP'D	SCALE
		LN	5X
TOLERANCES	INCH [MM]	CODE	DWG NO.
DECIMAL	± .005 [± 0.13]	C	8650-8653
ANGULAR	± 1°		
UNLESS OTHERWISE SPECIFIED			

2.23.12	CHANGE AS PER ECN 12-022	A
DATE	DESCRIPTION	REV.