

PLEASE CHECK WWW.MOLEX.COM FOR LATEST PART INFORMATION

Part Number: [0685610020](#)
Status: **Active**
Overview: [serial ata products](#)
Description: 1.27mm (.050") Pitch Serial ATA Power Latching Harness-to-Pigtail, IDT, 1.50m (4.92") Length, Gold Flash, 5V+12V, Leadfree

Documents:

[Drawing \(PDF\)](#) [RoHS Certificate of Compliance \(PDF\)](#)

General

Product Family	Cable Assemblies
Series	68561
Connector to Connector	Serial ATA-to-Pigtail
Overview	serial ata products
Product Name	Serial ATA

Physical

Cable Length	1.50m (4.92')
Circuits (Loaded)	4
Gender	Female-Pigtail
Lock to Mating Part	Yes
Material - Metal	Stainless Steel
Material - Plating Mating	Gold
Material - Plating Termination	Tin
Packaging Type	Bag
Pitch - Mating Interface (in)	0.050 In
Pitch - Mating Interface (mm)	1.27 mm
Plating min: Mating (µin)	2
Plating min: Mating (µm)	0.05
Plating min: Termination (µin)	75
Plating min: Termination (µm)	1.875
Single Ended	Yes
Termination Interface: Style	IDT or Pierce
Wire Insulation Diameter	N/A
Wire Size AWG	18
Wire/Cable Type	PVC

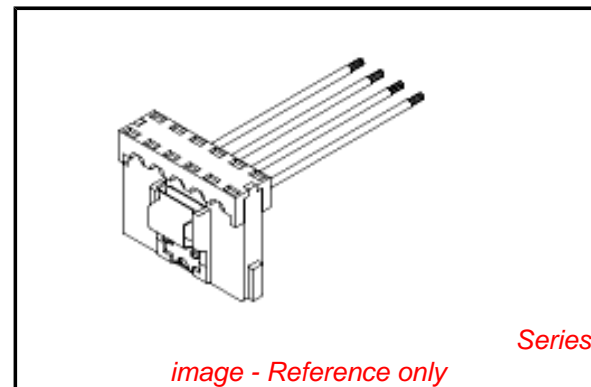
Electrical

Current - Maximum per Contact	1.5A
Impedance	100 ohms
Shielded	No
Voltage - Maximum	40V

Material Info

Reference - Drawing Numbers

Sales Drawing	SD-68561-004
---------------	--------------



EU RoHS

**ELV and RoHS
Compliant**
REACH SVHC
 Not Reviewed
**Halogen-Free
Status**
Not Reviewed

China RoHS



**Need more information on product
environmental compliance?**

Email productcompliance@molex.com
 For a multiple part number RoHS Certificate of Compliance, [click here](#)

Please visit the [Contact Us](#) section for any non-product compliance questions.

Search Parts in this Series
[68561Series](#)

7 6 5 4 3 2 1

E

E

D

D

C

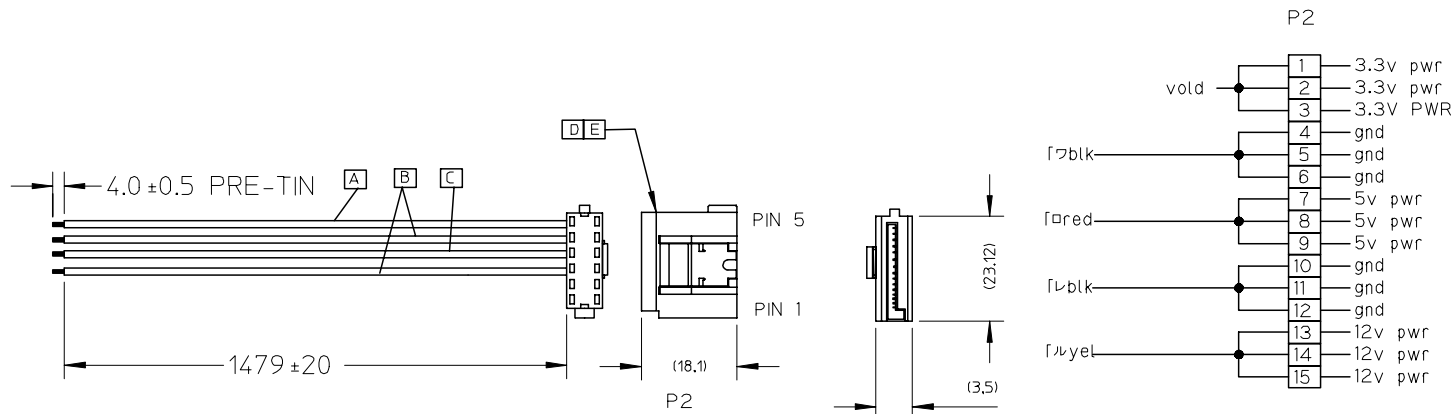
C

B

B

A

A



NOTE: 1. ELECTRIC PERFORMANCE:
 DIELECTRIC STRENGTH: 500 V DC.
 INSULATION RESISTANCE :100M OHMS MIN.
 CONDUCTIVE RESISTANCE:2 OHMS MAX.
 2.S-ATA HOUSING:
 POLYESTER(PBT), UL94V-0(BLACK)

68561-0021	679260002	30u' Gold - plated terminal
68561-0020	679260001	Gold flash terminal
MATERIAL NO	S-ATA CONN.	DESCRIPTION

E	COVER 679260040	1	
D	S-ATA CONN. : SEE TABLE	1	
C	UL1007 #18 RED 887711301	1	1485
B	UL1007 #18 BLK 887711300	2	2970
A	UL1007 #18 YEL 887711303	1	1485
ITEM	DESCRIPTION	QTY	L(mm)

ENTER DESCRIPTION EC NO: DG2005-0009 DRWN:GXYANG 2004/08/11 CHKD: 2004/08/18 APPR:BOCHEN 2004/08/18 REV	QUALITY SYMBOLS ▽=0 ◻=0	GENERAL TOLERANCES (UNLESS SPECIFIED) mm INCH 4 PLACES ± --- ± --- 3 PLACES ± --- ± --- 2 PLACES ± --- ± --- 1 PLACE ± --- ± --- ANGULAR ± ---°	DIMENSION STYLE MM ONLY DRAWN BY DATE GXYANG 04/08/10 CHECKED BY DATE TEDDY 04/08/10 APPROVED BY DATE BORON 04/08/10 MATERIAL NO. 685610020/1	SCALE --- DESIGN UNITS METRIC THIRD ANGLE PROJECTION	TITLE S-ATA IDT POWER LATCHING TO PIGTAIL CABLE ASSEMBLY 1.5M (5V+12V) MOLEX INCORPORATED DOCUMENT NO. SD-68561-004 SHEET NO. 1 OF 1	
	DRAFT WHERE APPLICABLE MUST REMAIN WITHIN DIMENSIONS			THIS DRAWING CONTAINS INFORMATION THAT IS PROPRIETARY TO MOLEX INCORPORATED AND SHOULD NOT BE USED WITHOUT WRITTEN PERMISSION		

6

5

4

3

2

1