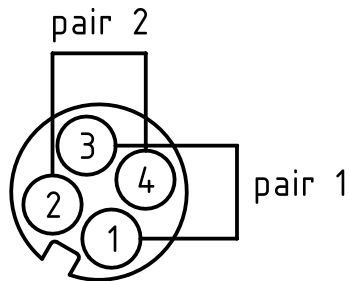
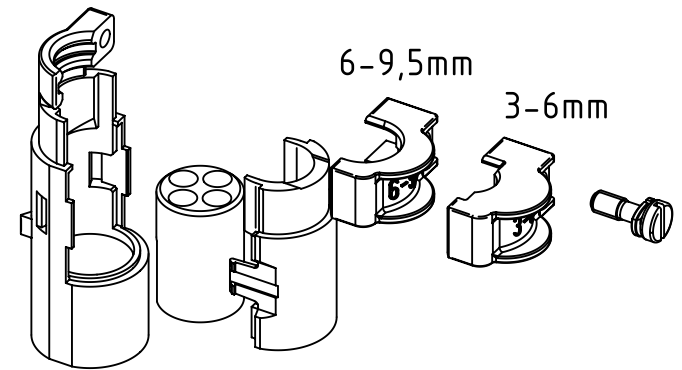


Recommended Ethernet connection



Pin	10BASE-T 100BASE-TX	colour
1	Tx+	white/orange
2	Rx+	white/green
3	Tx-	orange
4	Rx-	green



kind of delivery: piece parts

① till screening braid over cable jacket  
recommendation: fix end of screening braid  
(more than 9mm) with shrinking tube

② stripping length of a 2,5mm<sup>2</sup>  
wire gauge is 6mm

	All Dimensions in mm Original Size DIN A4	Scale 2:1	Free size tol.		Ref.	
		All rights reserved Department EL PD - DE	Created by RULLKOETTER	Inspected by GERB	Standardisation TIEMANNA	Date 2015-01-14
HARTING Electric GmbH & Co. KG D-32339 Espelkamp		Title Han-Quintax contact male, 3-9.5mm			Doc-Key / ECM-Nr. 100172437/UGD/003/B 500000083549	
		Type TB	Number 09 15 004 3013		Rev. B	Page 1/1

# Mouser Electronics

Authorized Distributor

Click to View Pricing, Inventory, Delivery & Lifecycle Information:

[HARTING:](#)

[09150043013](#)