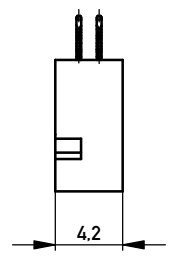
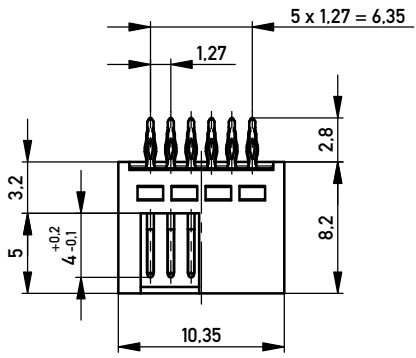
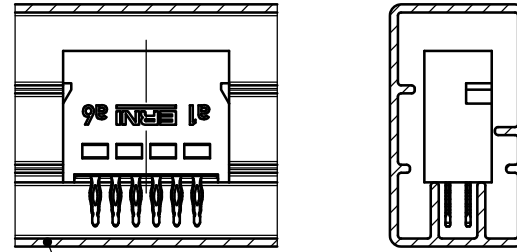
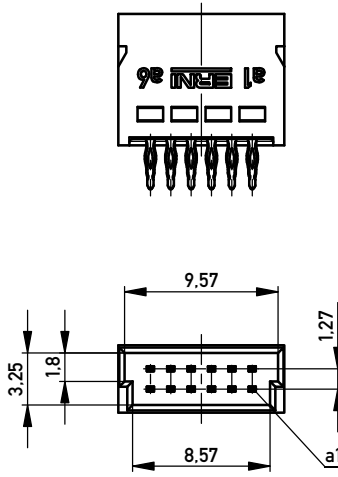
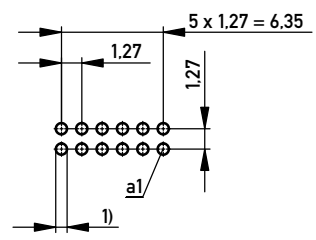


Verpackt in Stangenprofil - Tube Packaging

Verpackungseinheit: 65 Stück - Packaging unit: 65 pcs



Lochbild für Leiterplatte
Board hole pattern



Anforderungsstufe 1
Performance Level 1

Kontaktbereich vergoldet
Mating Area gold plating

Anschlussbereich verzinkt 1-2 µm
Terminal Area 1-2 µm tin plating

1) Lochaufbau siehe ERNI-Spezifikation 164062 Nr. 1 hole design according to ERNI-specification 164062 No. 1

Copyright by ERNI GmbH
Proprietary notice pursuant to ISO 9006 to be observed.

Information:		Tolerances		Scale	3:1
All rights reserved. Only for Information. To ensure that this is the latest version of this drawing, please contact one of the ERNI companies before using.		Subject to modification without prior notice. Drawing will not be updated.		Designation	
www.ERNI.com		www.ERNI.com		Messerl. SMC-Q 12-EE-BA 3 Male SMC-Q 12-EE-type 3	
e		02.07.2015		064002	
Index		Date		I A3	
Class				SMCQ	

Mouser Electronics

Authorized Distributor

Click to View Pricing, Inventory, Delivery & Lifecycle Information:

[ERNI Electronics:](#)

[064002](#)