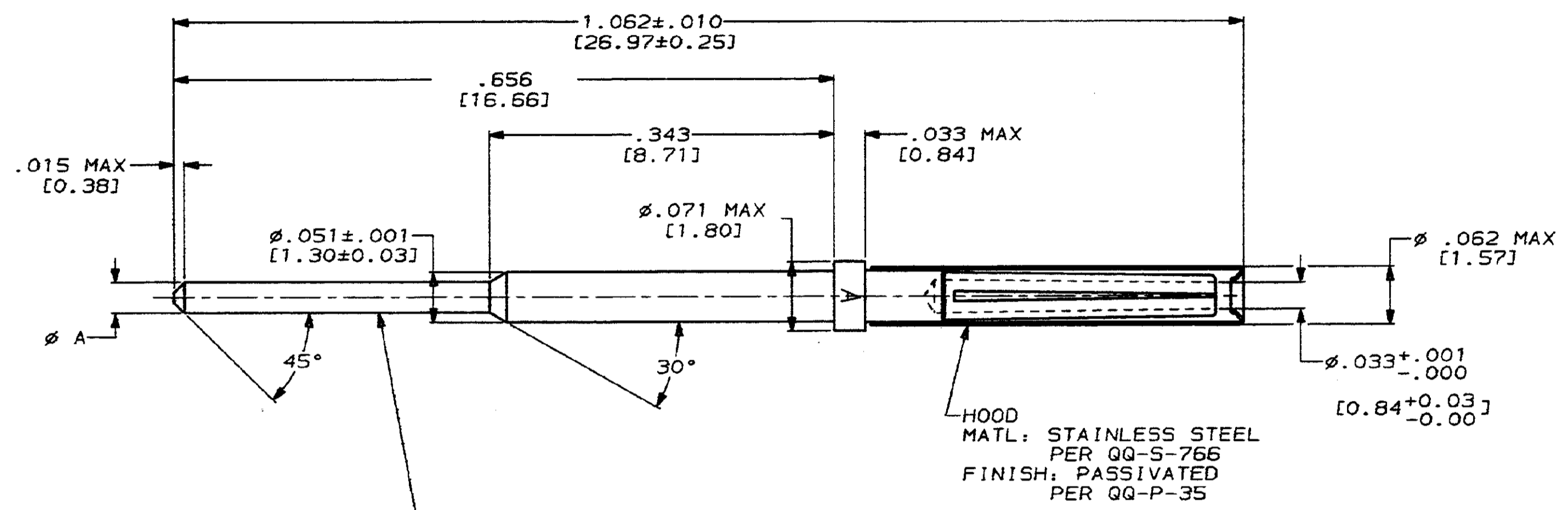


DRAWING MADE IN THIRD ANGLE PROJECTION

THIS DRAWING IS UNPUBLISHED. RELEASED FOR PUBLICATION . IS .
 © COPYRIGHT 19 BY AMP INCORPORATED. ALL INTERNATIONAL RIGHTS RESERVED.

PROJ	LOC	DIST	ZONE	LTR	REVISIONS	DATE	APPO
4971	DF	AO					
			J		REV 8 REDRAWN PER DF-4578	CT 7-91	AS



SOCKET BODY
 MAT'L: LEADED COPPER PER QQ-B-626
 FINISH: PLATED GOLD .000050 MIN
 THK PER MIL-G-45204 OVER NICKEL
 .000050 MIN THK PER QQ-N-290

HOOD
 MATL: STAINLESS STEEL
 PER QQ-S-766
 FINISH: PASSIVATED
 PER QQ-P-35

.023 ± .001 [0.58 ± 0.03]	205544-2
.031 ± .001 [0.79 ± 0.03]	205544-1
A DIM	PART NO.

DO NOT SCALE PRINT. UNLESS SPECIFIED DIMENSIONS IN INCHES [mm] TOLERANCES ON: 2 PLC DEC ± - 3 PLC DEC ± .005 [0.13] ANGLES ± 2°	DR 5-7-91 C.C. THOMAS	AMP Incorporated Harrisburg, PA 17105-3608		
SEE CALLOUTS	CHK 7-23-91 A. SHARPE			
FINISH SEE CALLOUTS	APPD 7-23-91 A. SHARPE	NAME ASSY, SOCKET CONTACT, SIZE 22 ARINC 404 (SPECIAL)		
	APPD 7-23-91 C. THOMAS	SIZE C	CAGE CODE 00779	DRAWING NO 205544
	PRODUCT SPEC -	SCALE 10:1	SHEET 1 OF 1	
	APPLICATION SPEC -			
	WEIGHT -			

CUSTOMER DRAWING

205544