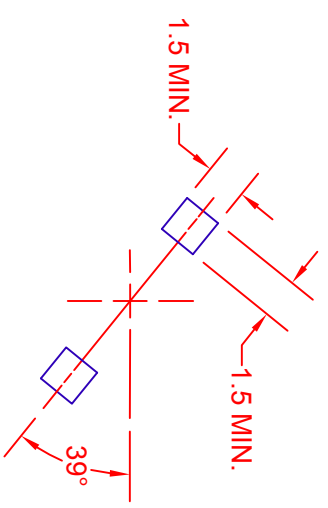
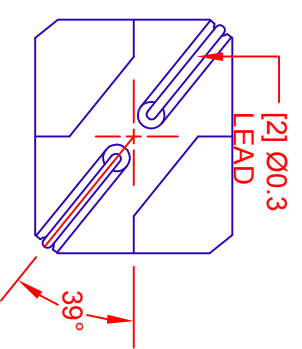
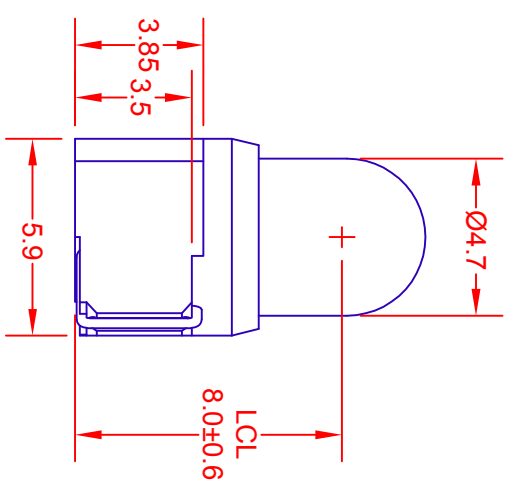
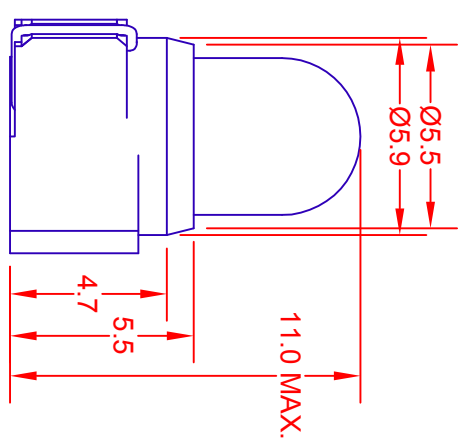
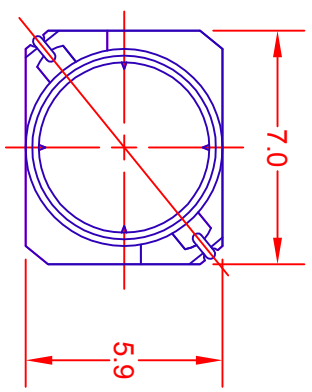
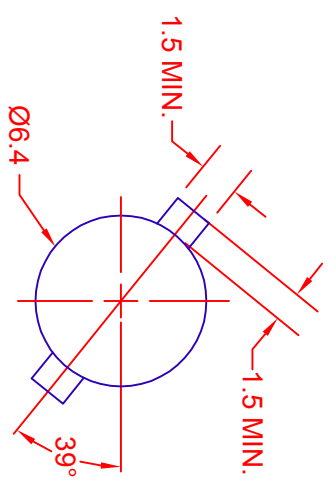


RELEASE AND CANCEL P-0006-08	4/29/14



RECOMMENDED CIRCUIT BOARD  
SOLDERING PAD



RECOMMENDED SOLDERING PAD  
FOR THROUGH BOARD LAMP

JKL PART NUMBER: ESM1-EW10/YLW

<b>LAMP NUMBER: EW10</b>						
VOLTS RATED	AMPS ± 10%	*MSCP ± 25%	*LUMENS ± 25%	AVERAGE LIFE HRS.	FILAMENT TYPE	BASE COLOR
14.0	.100	.500	6.29	5,000 DC	C-2V	YELLOW

\*LAMP RATING ONLY WITHOUT BASE AND FILTER

<b>METRIC</b>		<b>DIMENSIONS ARE IN MILLIMETERS</b>
THIRD ANGLE PROJECTION		TOLERANCE UNLESS OTHERWISE SPECIFIED
		1 PL +/- 0.2
		2 PL +/- 0.20
		ANGLE +/- 0
DRAWN BY L. WENGSTROM	APP'D BY	DATE
S. C.	4/29/14	

<b>JKL COMPONENTS CORPORATION</b>			
TITLE T-1 1/2 RECTANGLE SURFACE MOUNT LAMP			
SIZE <b>A</b>	FSCM NO. <b>55335</b>	DRAWING NO.	RELEASED DATE
SCALE 5X		<b>ESM1-EW10/YLW</b>	4/29/14
		REVISION DATE	
		REV. NO.	
		SHEET NO.	1 OF 1

- CAD DRAWING -  
MANUAL REVISIONS NOT PERMITTED