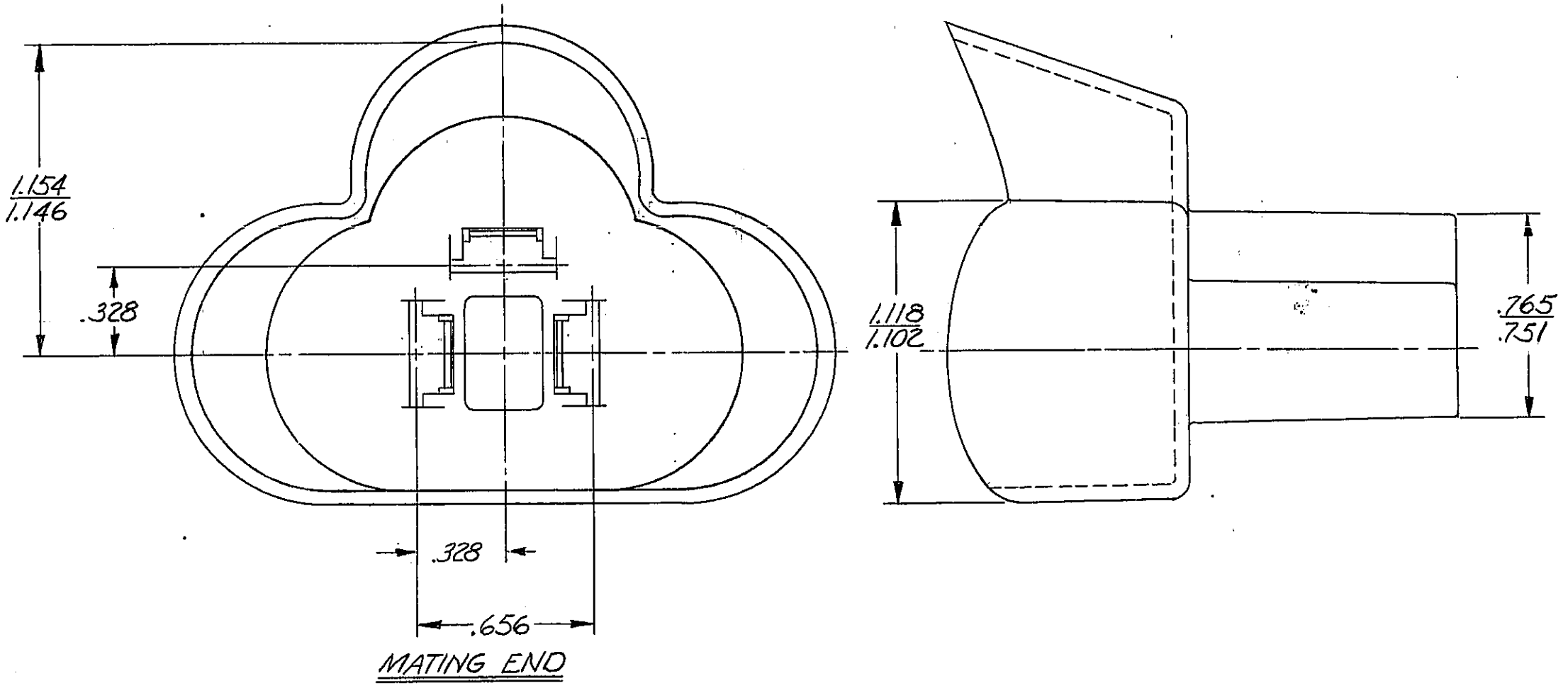
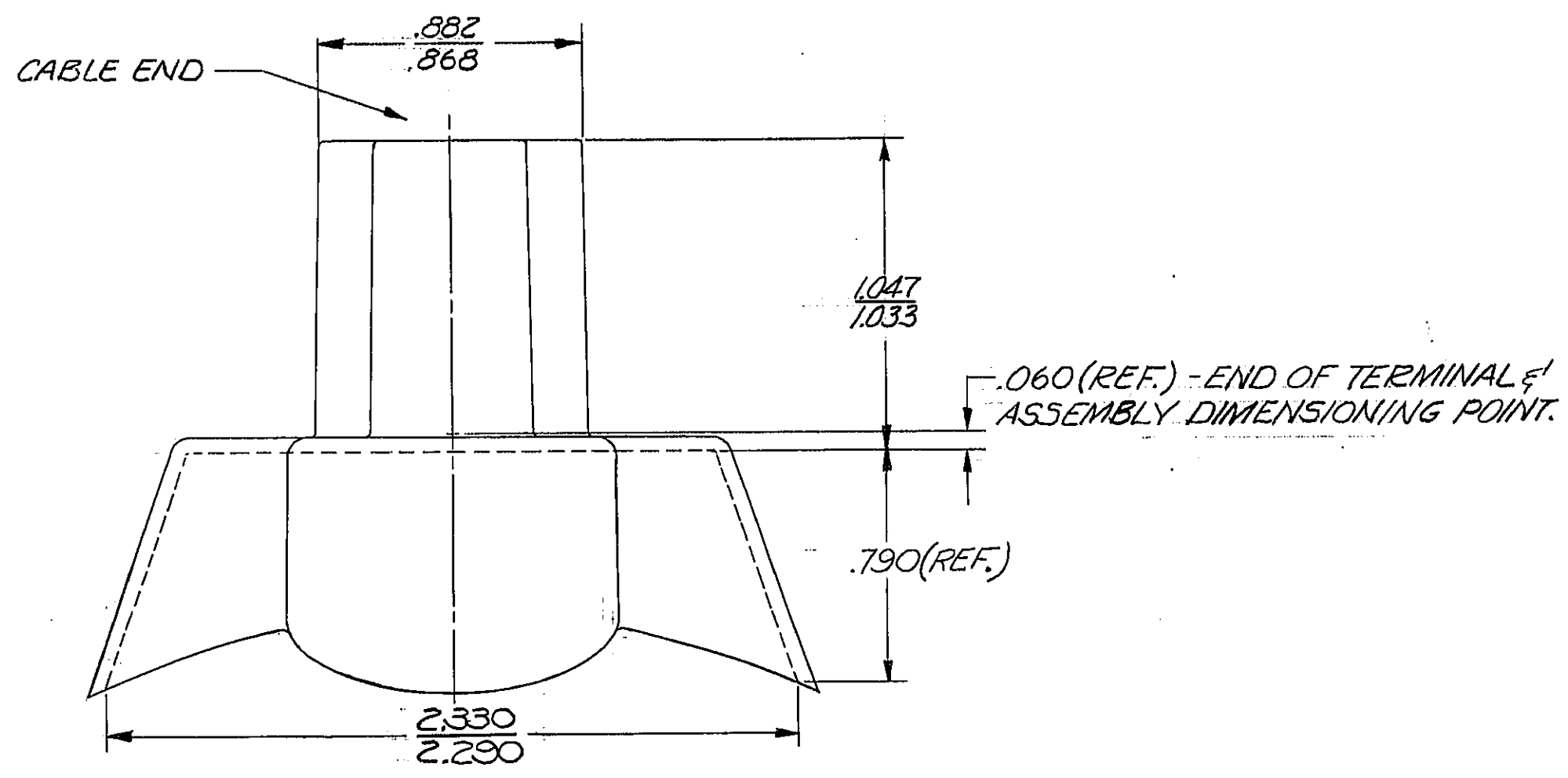


DWR STATUS					ZONE		REVISION HISTORY		AUTH	DR	APVD1	APVD2
DATE	STB	REV	N/P	CHG								
05DE83	R	-	-	-	-	-	REDRAWN WITHOUT CHANGE REV LEVEL REMAINS AT 8	83007	-	PY		
01APOS	R	08	-	-	-	-	MATL. SPEC. WAS R-67550 POLYP (BLK) ADDED DELPHI LOGO & RECYCLING NOTES	263764	VSH	MVS	ET	



- NOTES**
- UNLESS OTHERWISE SPECIFIED AND/OR INDICATED:
DIMENSIONS ARE TO FACE OF VIEW SHOWN.
ALL RADII 0.015
DRAFT IS 1° MAX ON ALL OUTSIDE SURFACES.
CAVITIES ARE IDENTICAL.
LOCKING FEATURES ARE IDENTICAL.
 - MATERIAL RECYCLING CODE PER ISO 11469. (2,3) X (0.1) RAISED CHARACTERS AS SHOWN TO BE LOCATED ON ANY EXTERIOR SURFACE. OPTIONAL CONSTRUCTION TO BE NO MATERIAL RECYCLING CODE.
 - THIS PART IS NOT CONTROLLED FOR AUTOMATIC FEEDING
 - (2,3) X (0.1) RAISED DELPHI CORPORATE BRAND TO BE LOCATED ON ANY EXTERIOR SURFACE, PREFERABLY VISIBLE AT FINAL ASSEMBLY. OPTIONAL CONSTRUCTION TO BE "PED" OR NO LOGO.

DECIMAL 1 ANNUAL 2P
TWO PLACE ±0.01
THREE PLACE ±0.005

DWR TYPE		PART DRAWING	
STYLE			
VOLUME (OPT)	DISTR CODE		
	D		
UNLESS OTHERWISE SPECIFIED			
THIS DOCUMENT IS IN ACCORDANCE WITH ASME Y14.3M-1994 AS AMENDED BY THE 2003 GLOBAL DIMENSIONING AND TOLERANCING ADDENDUM-2001. SEPARATE PATTERNS OF FEATURES MAY BE OBTAINED SEPARATELY REGARDLESS OF DATUM REFERENCE.			
ALL DIMENSIONS ARE IN INCHES			
REFERENCE			
THIRD ANGLE PROJECTION	DO NOT SCALE		
		USE MATH DATA	

DELPHI
DELPHI PACKARD ELECTRIC SYSTEMS
WARREN, OH

DR	P. YOST	DATE	13DE83
APVD1			
APVD2			
APVD3			
APVD4			
APVD5			
SUBSTANCES OF CONCERN AND RECYCLED CONTENT PER DELPHI 10948001			
MATERIAL M2097001 PP 1M BLK			
DRAWING NAME CONN. BODY - 59 SERIES 3 FEMALE TERMINALS			
DRAWING NUMBER 2977804			
SIZE	SCALE	FRAME NO	SHEET NO
A1	N/A	1 OF 1	1 OF 1
STB	REV	N/P	
R	08	-	