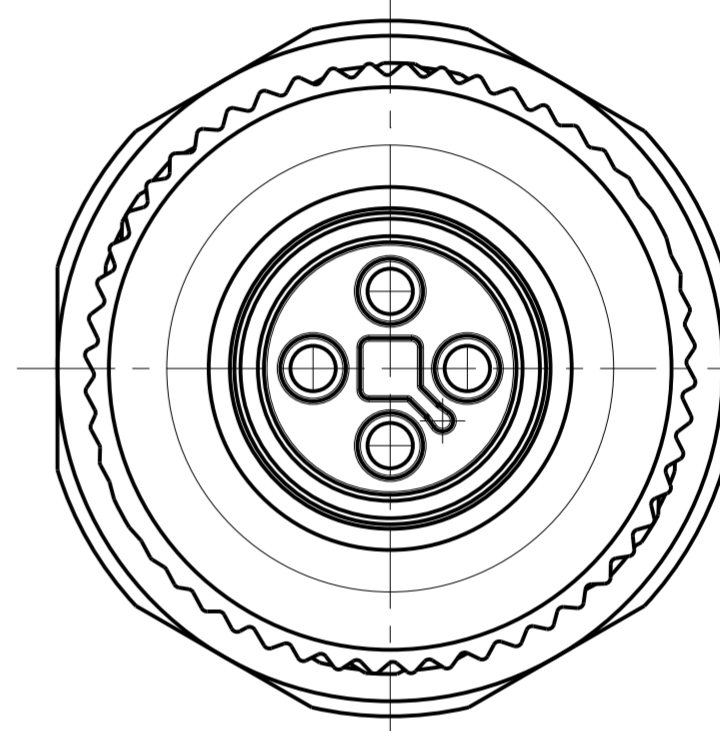
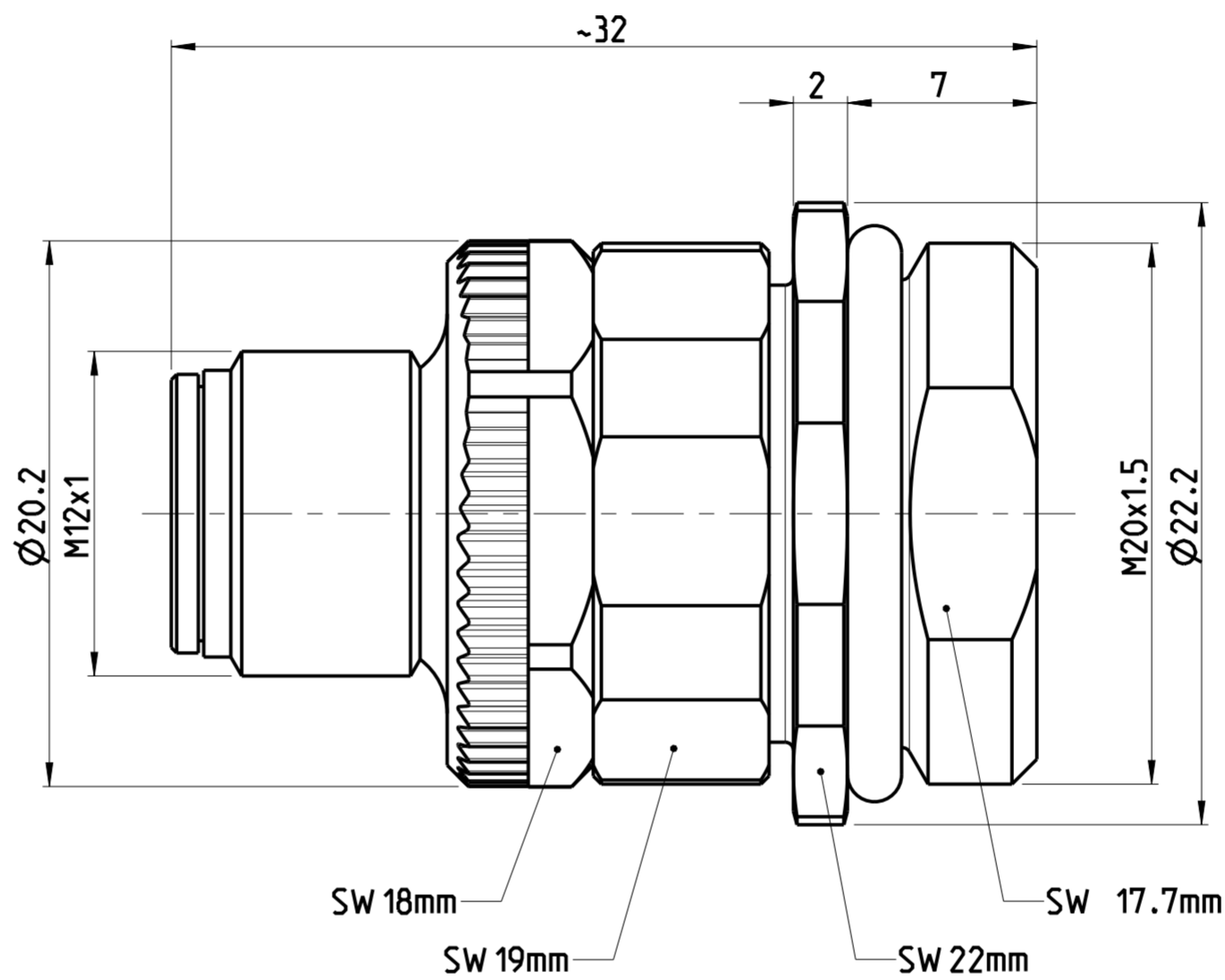
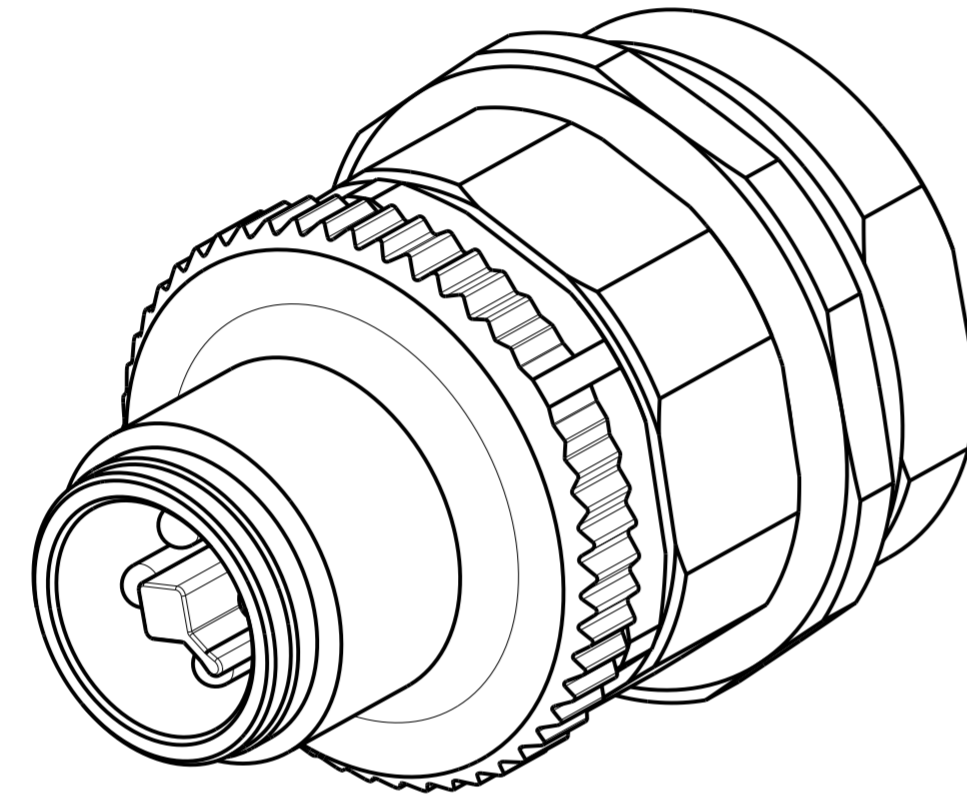


THIS DRAWING IS UNPUBLISHED.
 VERTRAULICHE UNVERPFLICHTETE ZEICHNUNG
 © COPYRIGHT 2014 Tyco Electronics AMP GmbH
 RELEASED FOR PUBLICATION
 FREI FÜR VERÖFFENTLICHUNG
 2014
 ALL RIGHTS RESERVED.
 ALLE RECHTE VORBEHALTEN.
 NOTED WITH
 PASSEND ZU

PROJECT NO.:
 PRJ-14-00000805

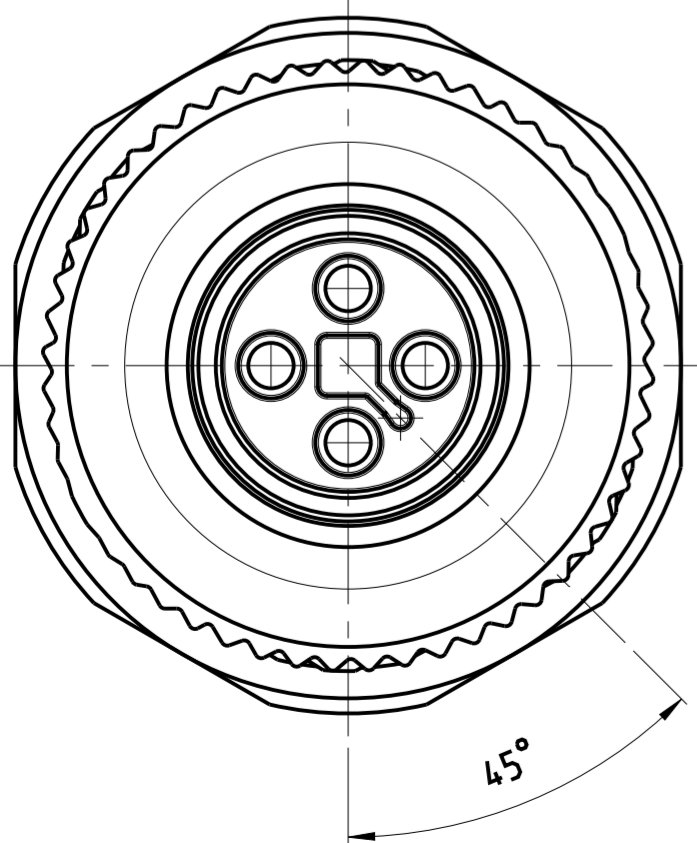
REVISIONS		DATE	DWN	APVD
ÄNDERUNGEN				
P	LTR	DESCRIPTION		
		BESCHREIBUNG		
	A1	NEW DRAWING	24 JUN2014	YR CS

- ⚠ **MATERIAL:** ITEM NO. 1: HOUSING - ZINC DIECASTING, NICKEL PLATED
 ITEM NO. 2: CONTACT BODY - PA
 ITEM NO. 3: CONTACT - CuZn (brass)
 CONTACT FINISH - Au (gold)
- 2 ALL DIMENSIONS ARE FOR NOMINAL REFERENCE ONLY UNLESS OTHERWISE STATED
 3 MEASUREMENT REFERENCE ONLY
 4 **PACKAGING:** 1 PIECE IN A BAG



PIN ARRANGEMENT
 T-CODING

0-2120947-1



TECHNICAL DATA	0-2120947-1
RATED VOLTAGE	60V
RATED IMPULSE VOLTAGE	1500V
POLLUTION DEGREE	3
OVERVOLTAGE CATEGORY	III
MATERIAL GROUP	III
RATED CURRENT	12A
VOLUME RESISTIVITY	≤ 3mΩ
DEGREE OF PROTECTION	IP67
UPPER TEMPERATURE	+85 °C
LOWER TEMPERATURE	-40 °C

16 / 1.5	⚠	4	0-2120947-1
WIRES AWG / mm²	MATERIAL	NUMBER OF POLES	TE-PART-NO.

DIESE ZEICHNUNG IST EIN KONTROLLIERTES DOKUMENT.
 BEMASSUNGEN UND TOLERANZEN GEMAESS GPS (ISO STANDARDS).

THIS DRAWING IS A CONTROLLED DOCUMENT.
 DIMENSIONING AND TOLERANCING PER GPS (ISO STANDARDS).

DIMENSIONS: MASSE/MASSEN: [mm]	TOLERANCES UNLESS OTHERWISE SPECIFIED: ALLGEMEINTOLERANZEN
0 PLC ±	1 PLC ±
1 PLC ±	2 PLC ±
2 PLC ±	3 PLC ±
3 PLC ±	4 PLC ±
ANGLES/WINKEL ±	FINISH/OBERFLÄCHE/FARBE
MATERIAL	

Customer Drawing

DWN YASHKUMAR 24 JUN2014		CHK M.STRELOW 24 JUN2014		APVD C.SCHREITLINGER 24 JUN2014	
NAME		M12 MALE PANEL MOUNTED CONNECTOR, POWER, T-CODED, M20 x 1.5			
SIZE	CAGE CODE	DRAWING NO.	RESTRICTED TO		
A2	00779	C-2120947	MUR FÜR		
SCALE		SCALE	SHEET	OF	REV
4:1		4:1	1	1	A1

SIZE ISO 14405 (E)