

## Platinum Resistance Temperature Detector

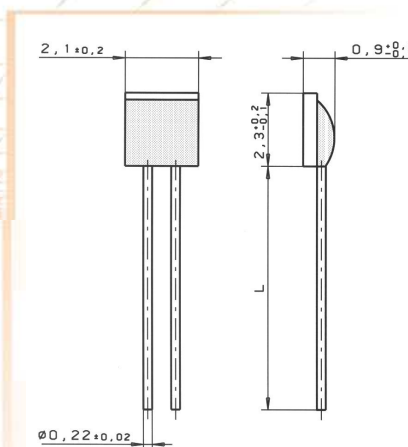
## LN 222

L series PRTDs are designed for large volume applications where long term stability, interchangeability and accuracy over a large temperature range are vital. Typical applications are Automotive, White goods, HVAC, Energy management, Medical and Industrial equipment.

Nominal Resistance R0	Tolerance DIN EN 60751 1996-07	Tolerance DIN EN 60751 2009-05	Order Number Plastic Bag
100 Ohm at 0°C	Class A	F 0,15	32 207 771
	Class B	F 0,3	32 207 770
1000 Ohm at 0°C	Class A	F 0,15	32 207 773
	Class B	F 0,3	32 207 772

The measuring point for the nominal resistance is defined at 8mm from the end of the sensor body.

<b>Specification</b>	DIN EN 60751 (according to IEC 751)	
<b>Temperature range</b>	-50°C to +400°C (continuous operation) Tolerance Class B: -50°C to +400°C Tolerance Class A: -50°C to +300°C	
<b>Temperature coefficient</b>	TCR = 3850 ppm/K	
<b>Leads</b>	Ni- silvercoated Recommend connection technology: Soft soldering and Crimping	
<b>Lead lengths (L)</b>	10mm ±1mm	
<b>Vibration resistance</b>	at least 40g acceleration at 10 to 2000 Hz, depends on installation	
<b>Shock resistance</b>	at least 100g acceleration with 8ms half sine wave, depends on installation	
<b>Environmental conditions</b>	unhoused for dry environments only	
<b>Insulation resistance</b>	> 100 MΩ at 20°C; > 2 MΩ at 400°C	
<b>Self heating</b>	0.4 K/mW at 0°C	
<b>Response time</b>	water current (v= 0.4m/s):	t <sub>0,5</sub> = 0.05s t <sub>0,9</sub> = 0.15s
	air stream (v= 2m/s):	t <sub>0,5</sub> = 3.0s t <sub>0,9</sub> = 10.0s
<b>Measuring current</b>	100Ω: 0.3 to 1.0mA 1000Ω: 0.1 to 0.3mA (self heating has to be considered)	
<b>Note</b>	Other tolerances, values of resistance and wire lengths are available on request.	



We reserve the right to make alterations and technical data printed. All technical data serves as a guideline and does not guarantee particular properties to any products.

### Heraeus Sensor Technology USA

1901 Route 130  
North Brunswick, NJ 08902  
Phone 732-940-4400 Fax 732-940-4445  
Email [info.hst-us@heraeus.com](mailto:info.hst-us@heraeus.com)  
<http://heraeus-sensor-technology-us.com>

Name of document: 30.910.062 Index A  
Status: 08/2012