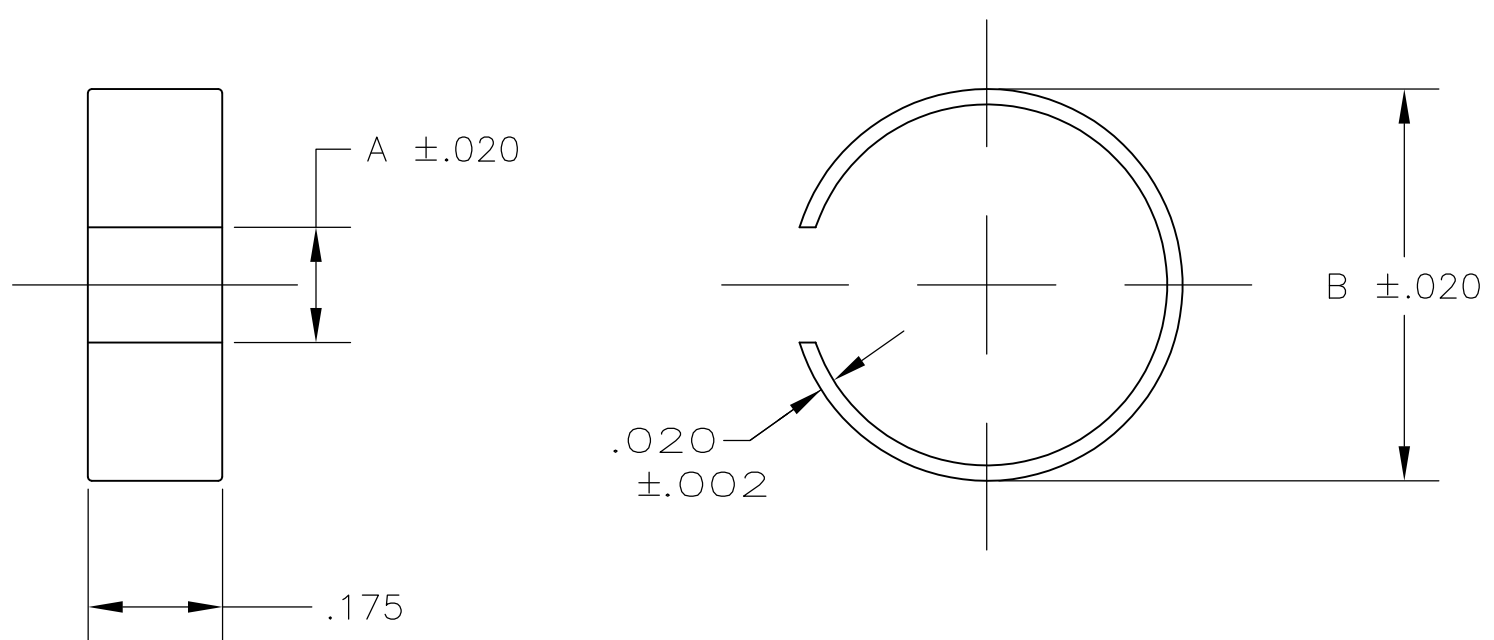



THIS DRAWING IS UNPUBLISHED. RELEASED FOR PUBLICATION
 © COPYRIGHT - By - ALL RIGHTS RESERVED.

| | | | | | | | |
|-----|------|-----------|-----|------------------------------|---------|-----|------|
| LOC | DIST | REVISIONS | | | | | |
| GP | 00 | P | LTR | DESCRIPTION | DATE | DWN | APVD |
| | | | | C1 REVISED PER ECO-11-005033 | 23MAR11 | RK | HMR |

FERRULE SELECTION PROCEDURE:
 A. SELECT THE DESIRED CABLE CLAMP FROM ANY OF THE FOLLOWING DRAWINGS:
 5745171, 5745172, 5745173, 5745174, 5745175, 5745854, 5747099,
 5745833, 5747100, 5747098, 5745919, 5745652, 5745653
 B. VERIFY THAT THE CHOSEN CABLE CLAMP IS AVAILABLE.
 C. SELECT A SPLIT RING FERRULE PART NUMBER TO MATCH THE CABLE
 CLAMP SIZE AND CABLE DIAMETER TO BE USED.
 D. SEE INNER FERRULES ON DRAWING 745129 FOR ADDITIONAL OPTIONS.



| | | | | |
|--------------------------------|------------------------|----------|----------|--------------------|
| 5 | .710-.750 | 0.790 | 0.220 | 1-745508-2 |
| 4, 5 | .635-.675 | 0.690 | 0.200 | 1-745508-1 |
| 4, 5 | .560-.600 | 0.620 | 0.180 | 1-745508-0 |
| 3, 5 | .490-.530 | 0.550 | 0.180 | 745508-9 |
| 3, 4 | .460-.500 | 0.510 | 0.150 | 745508-8 |
| 5 | .410-.450 | 0.470 | 0.150 | 745508-7 |
| 1, 2, 5 | .335-.375 | 0.390 | 0.130 | 745508-6 |
| 3, 4 | .310-.350 | 0.370 | 0.120 | 745508-5 |
| 2, 3 | .260-.300 | 0.310 | 0.100 | 745508-4 |
| 1, 2 | .185-.225 | 0.260 | 0.080 | 745508-3 |
| 1 | .160-.200 | 0.220 | 0.060 | 745508-2 |
| 2, 3, 4 | .390-.430 | 0.450 | 0.150 | 745508-1 |
| FOR CABLE CLAMP SIZE(S) | CABLE DIA RANGE | B | A | PART NUMBER |

| | | | | | | | | | | | | | | | | | |
|---|-------------|--------------------------------|---|--------------------|------------------------|--------------------|-----|-------|--------|-------|-----|--------|-----|-------------------|-----------------------|--|--|
| THIS DRAWING IS A CONTROLLED DOCUMENT. | | DWN B. MCMASTER 12MAR04 |  TE Connectivity | | | | | | | | | | | | | | |
| DIMENSIONS: INCHES | | CHK C. ROHDE 12MAR04 | | | | | | | | | | | | | | | |
| TOLERANCES UNLESS OTHERWISE SPECIFIED: | | APVD M. WALMSLEY 12MAR04 | NAME FERRULE, CABLE CLAMP, SPLIT RING | | | | | | | | | | | | | | |
| <table border="0"> <tr> <td>0 PLC</td> <td>± -</td> </tr> <tr> <td>1 PLC</td> <td>± -</td> </tr> <tr> <td>2 PLC</td> <td>± -</td> </tr> <tr> <td>3 PLC</td> <td>± .010</td> </tr> <tr> <td>4 PLC</td> <td>± -</td> </tr> <tr> <td>ANGLES</td> <td>± -</td> </tr> </table> | | 0 PLC | ± - | 1 PLC | ± - | 2 PLC | ± - | 3 PLC | ± .010 | 4 PLC | ± - | ANGLES | ± - | PRODUCT SPEC - | APPLICATION SPEC - | | |
| 0 PLC | ± - | | | | | | | | | | | | | | | | |
| 1 PLC | ± - | | | | | | | | | | | | | | | | |
| 2 PLC | ± - | | | | | | | | | | | | | | | | |
| 3 PLC | ± .010 | | | | | | | | | | | | | | | | |
| 4 PLC | ± - | | | | | | | | | | | | | | | | |
| ANGLES | ± - | | | | | | | | | | | | | | | | |
| MATERIAL ALUMINUM | FINISH - | WEIGHT - | SIZE A3 | CAGE CODE 00779 | DRAWING NO C-745508 | RESTRICTED TO - | | | | | | | | | | | |
| CUSTOMER DRAWING | | | SCALE 4:1 | SHEET 1 OF 1 | REV C1 | | | | | | | | | | | | |