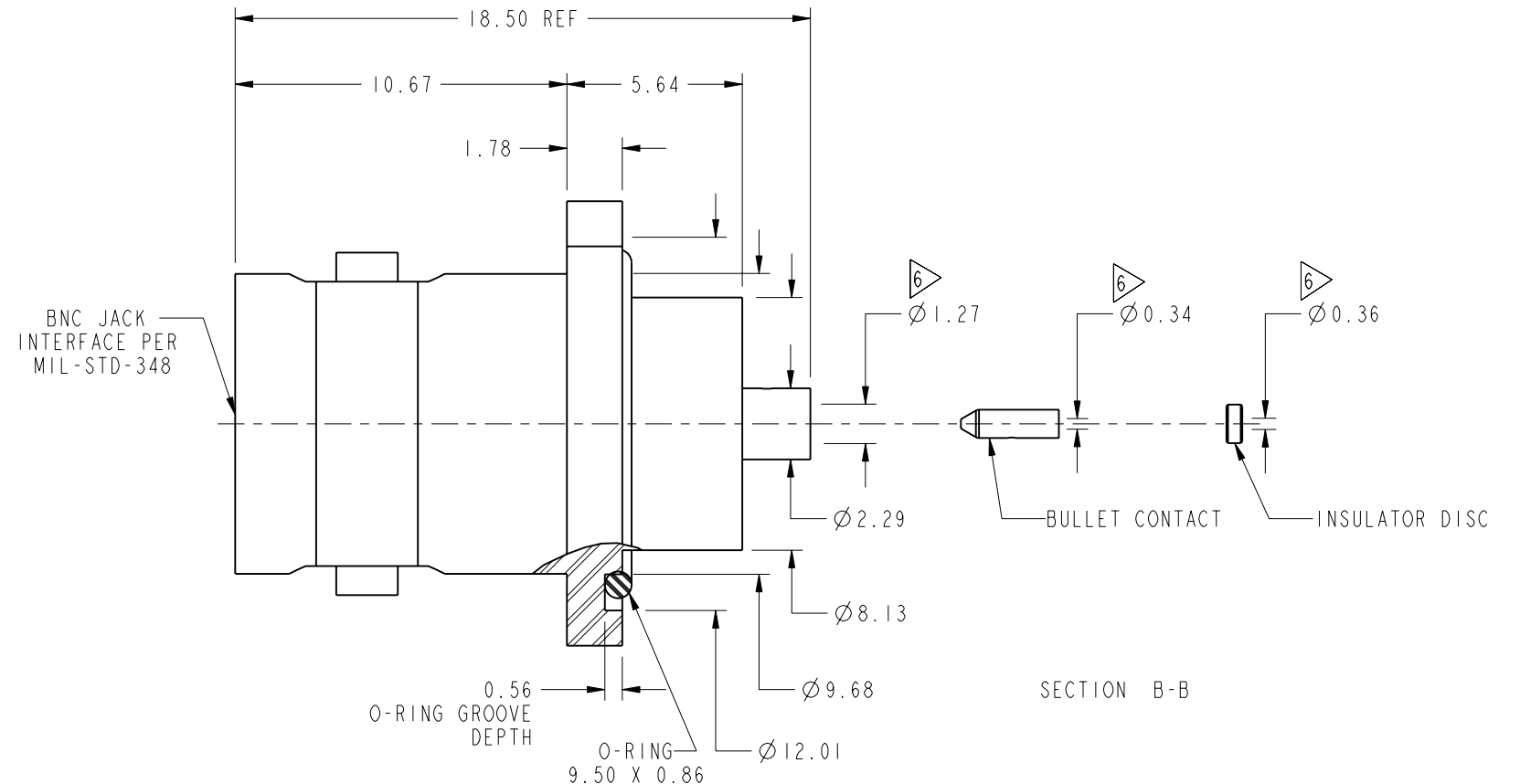
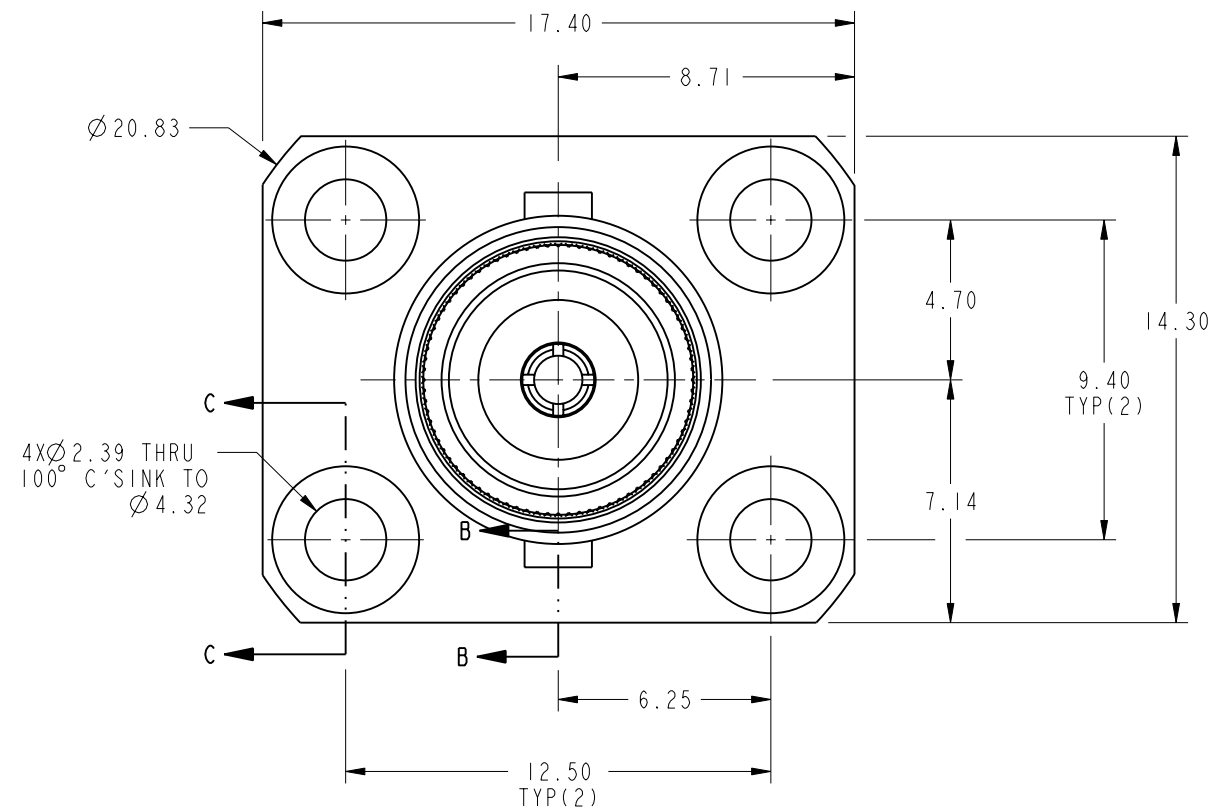
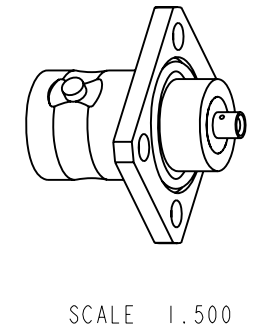
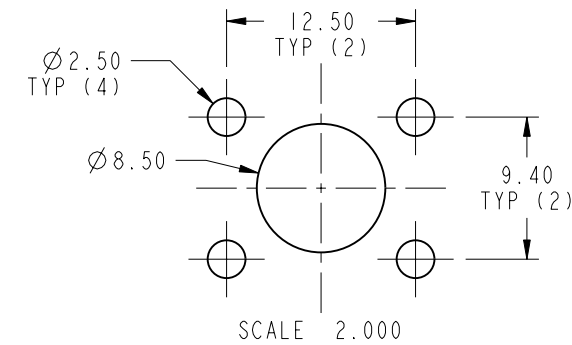
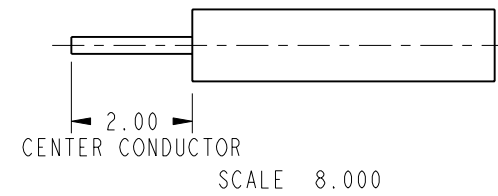
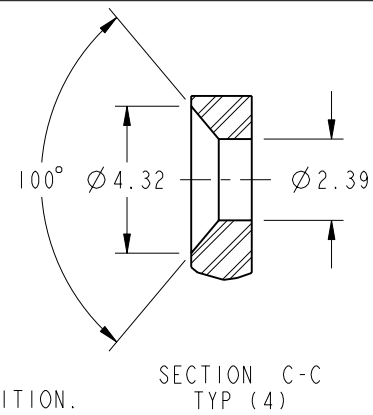


NOTES:

1. MATERIALS AND FINISHES:
 BODY - STAINLESS STEEL, PASSIVATED
 CONTACT - BERYLLIUM COPPER, GOLD PLATING
 INSULATOR - PTFE
 O-RING - CONDUCTIVE NITRILE
 2. ELECTRICAL:
 A. IMPEDANCE: 50 OHM
 B. FREQUENCY RANGE: DC - 2 GHz
 C. VSWR : 1.09
 D. DIELECTRIC WITHSTANDING VOLTAGE: 375 VRMS @ 70,000 FT
 3. MECHANICAL:
 A. DURABILITY: 500 CYCLES MIN.
 B. TEMPERATURE RANGE: -65° C TO +165° C
 C. IMMERSION PROOF: IP-68 (WITHSTANDS 8 PSI FOR 30 SEC) IN UNMATED CONDITION.
 4. CABLE ASSEMBLY INSTRUCTIONS:
 A. TRIM CABLE AS SHOWN
 B. SLIDE INSULATOR DISC OVER THE CABLE CENTER CONDUCTOR.
 C. SOLDER BULLET CONTACT TO CABLE CENTER CONDUCTOR
 INSERT CABLE WITH BULLET CONTACT INTO BODY
 D. SOLDER OUTER CONDUCTOR OF CABLE TO BODY.
 5. PACKAGING:
 A. QUANTITY: BULK PACK 50 CONNECTORS.
 BULK PACK LOOSE COMPONENTS (O-RING, BULLET CONTACT,
 AND INSULATOR DISCS) PER TOTAL CUSTOMER ORDER QTY.
 B. MARKING: BAG TO BE MARKED
 "AMPHENOL, 31-6372, AND DATE CODE"
6. SHOWS CABLE ENTRY DIMENSIONS.



CUSTOMER OUTLINE DRAWING

ALL OTHER SHEETS ARE FOR INTERNAL USE ONLY

UNLESS OTHERWISE SPECIFIED, DIMENSIONS ARE IN METRIC AND TOLERANCES ARE:
 <0.5mm ±0.05mm 0.5 - 6mm ±0.1mm 6 - 30mm ±0.2mm 30 - 120mm ±0.3mm ANGLES ±1°

NOTICE - These drawings, specifications, or other data (1) are, and remain the property of Amphenol corp. (2) must be returned upon request; and (3) are confidential and not to be disclosed to any person other than those to whom they are given by Amphenol Corp. the finishing of these drawings, specifications, or other data by Amphenol Corp., or to any other person to anyone for any purpose is not to be regarded by implication or otherwise in any manner licensing, granting rights to permitting such holder or any other person to manufacture, use or sell any product, process or design, patented or otherwise, that may in any way be related to or disclosed by said drawings, specifications, or other data.

MATERIAL	
REFERENCE	EAR # 3267 AND 611X-4378-200
CONFIGURATION LEVEL:	<input type="checkbox"/> <input type="checkbox"/> <input type="checkbox"/>
FINISH	

DRAWN	K. ZHANG	DATE	28-Nov-13
ENGINEER	A ARUN PRABU	DATE	20-Nov-08
APPROVED	SCOTT.HSIEH	DATE	12-Apr-11
CAD FILE	Root Folder/BNC/31-6372		

TITLE	
BNC, JACK IP-68 .047"	
CABLE, 4 HOLE FLANGE	
SCALE: 4.5:1.0	SHEET 2 OF 2
DWG SIZE	REV
B	D

Amphenol RF	
Danbury CT USA, Tainan, Taiwan, Shenzhen, China	
www.amphenolrf.com	
DRAWING NO. 31-6372	
ITEM NO. 31-6372	
PART NO. 31-6372	