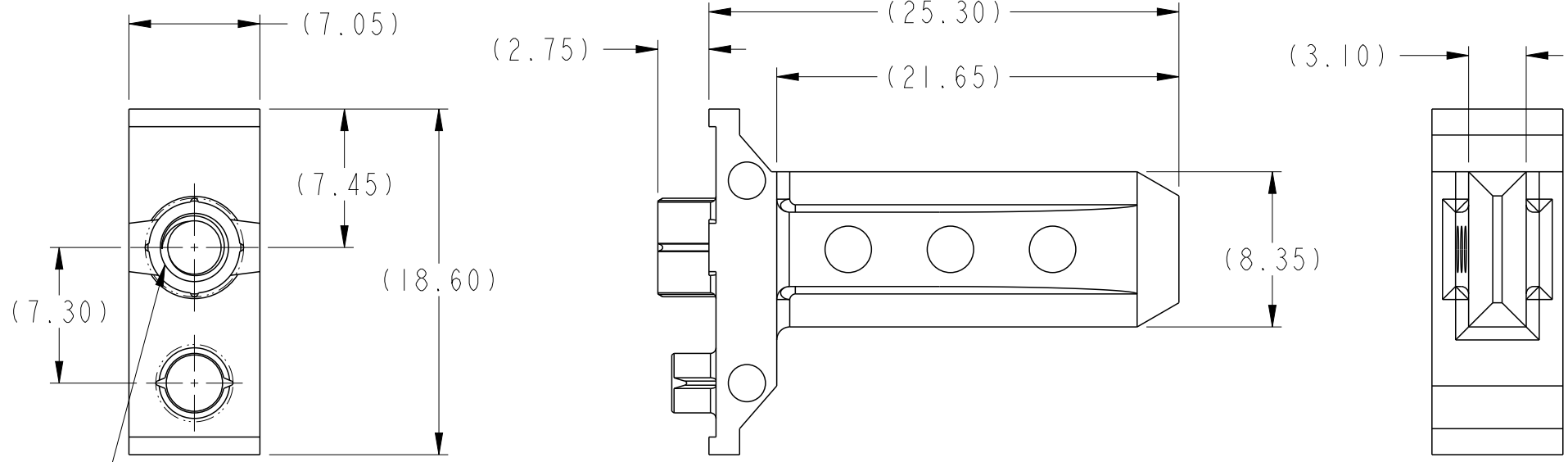


PRODUCT NUMBER

10066832-101LF



M3.5 X 0.6-6H
 B THREAD DEPTH 5.00mm MINIMUM



Copyright FCI.

spec ref		dr	Chen-Hong Tan	2006/05/02	projection 	MM 	size	A4	scale	2:1	
tolerance std ASME Y14.5	TOLERANCES UNLESS OTHERWISE SPECIFIED	eng	N Anandakumar	2013/04/08			ecn no	ELX-S-14283-1			
		chr	-	-			rel level	Released			
surface	3.2	appr	Chen-Hong Tan	2013/04/15	product family	AirMax Accessories					
ASME Y14.5	linear	0.X	±0.3	 www.fci.com	title	7.2mm GUIDE PIN		dwg no 10066832	rev	B	
		0.XX	±0.10			cat. no.	-			Product - Customer Drw	sheet 1 of 2
	angular	0°	±2°								

Pro/E File - REV C - 2009-06-09

1

2

3

4

A

B

C

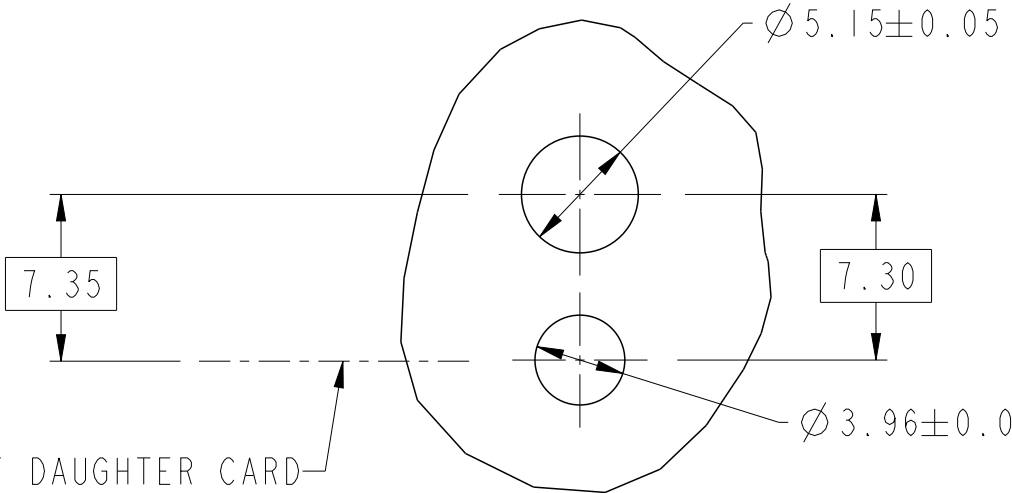
D

A

B

C

D



TOP OF DAUGHTER CARD

SEE NOTE 3 & 4
SCALE 3:1

1. MATERIAL: ZINC ALLOY.
2. FINISH: ZINC YELLOW CHROMATE.
- ③ APPLICATION SPECIFICATION: GS-20-045
- ④ REFER TO CUSTOMER DRAWING 10035911 FOR INFORMATION REGARDING PCB LAYOUT OF POWER AND GUIDE MODULES RELATIVE TO SIGNAL MODULES.
5. THIS PRODUCT MEETS EUROPEAN UNION DIRECTIVES AND OTHER COUNTRY REGULATIONS AS DESCRIBED IN GS-22-008
6. PACKAGING MEETS GS-14-920 LEAD FREE LABELING SPECIFICATION.
7. A \triangle SYMBOL WILL BE NEXT TO ANY DIMENSION, VIEW, OR NOTE WHICH HAS BEEN MODIFIED WITH THE CURRENT DRAWING REVISION.



Copyright FCI.

spec ref		dr Chen-Hong Tan		2006/05/02		projection		MM		size A4		scale 3:10			
tolerance std ASME Y14.5		eng N Anandakumar		2013/04/08						ecn no		ELX-S-14283-1			
TOLERANCES UNLESS OTHERWISE SPECIFIED		chr -		-						product family		AirMax VS		rel level	
surface $\sqrt{3.2}$		linear		0.X		±0.3				title 7.2mm GUIDE PIN 25.3mm LONG, W/ INTERNAL THREAD		dwg no 10066832		rev B	
ASME Y14.5		angular		0°		±2°									
		www.fci.com		cat. no.		-		Product - Customer Drw		sheet 2 of 2					

Print File - REV C - 2009-06-09

2

3

4

PDS: Rev :B

STATUS:Released

Printed: Apr 15, 2013