

THIS DRAWING IS UNPUBLISHED. RELEASED FOR PUBLICATION  
 © COPYRIGHT BY TYCO ELECTRONICS CORPORATION. ALL RIGHTS RESERVED.

| LOC |     | DIST |     | REVISIONS |                          |  |  |
|-----|-----|------|-----|-----------|--------------------------|--|--|
| P   | LTR | DATE | DWN | APVD      |                          |  |  |
| FT  | 0   | 01   | SS  | SRY       | REVISED PER ECO-06-16575 |  |  |

NOTES:  
 ⚠ MATERIAL: .032 THICK, BRASS, TEMPERED.  
 ⚡ FINISH: BRIGHT TIN PLATE.

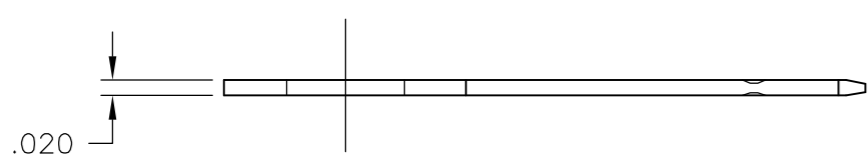
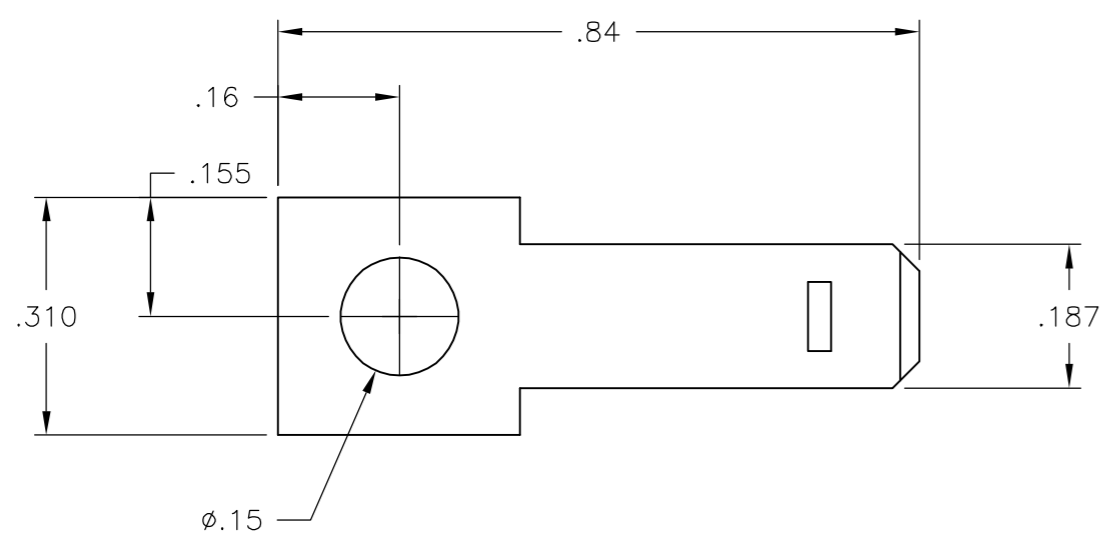


FIGURE 1

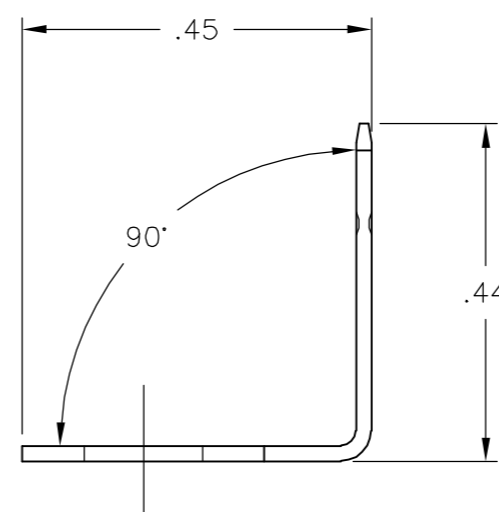
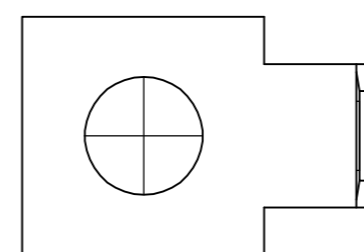


FIGURE 2

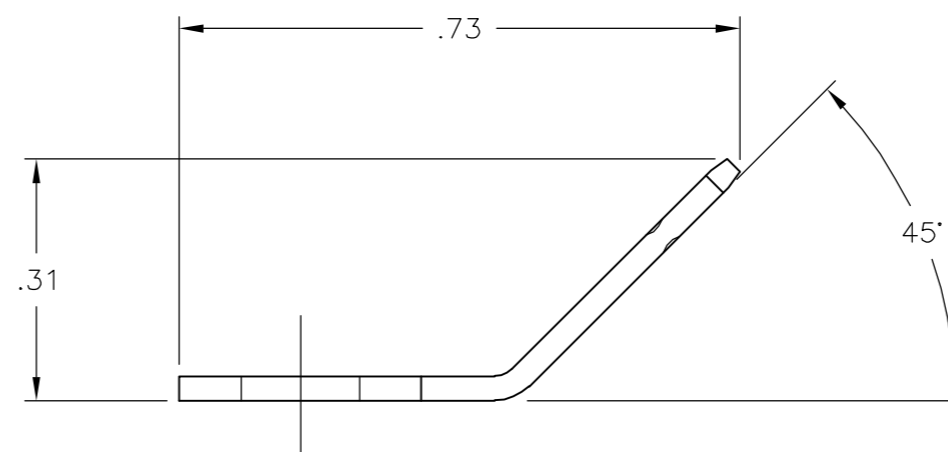
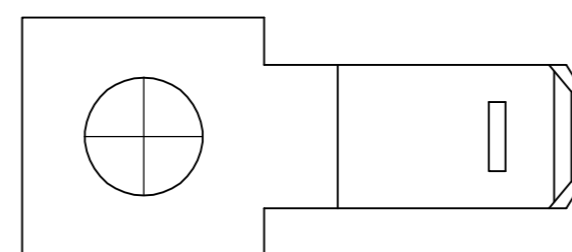


FIGURE 3

| FIGURE   | CATALOG NO. | PART NO.    |
|----------|-------------|-------------|
| FIGURE 3 | QC6-45-3    | 6-1437644-2 |
| FIGURE 2 | QC6-90-3    | 6-1437644-5 |
| FIGURE 1 | QC6-180-3   | 5-1437644-8 |

|   |  |              |            |         |   |                             |             |               |    |
|---|--|--------------|------------|---------|---|-----------------------------|-------------|---------------|----|
| THIS DRAWING IS A CONTROLLED DOCUMENT.  |  | DWN          | S SCHLEGEL | 07NOV03 | Tyco Electronics Corporation<br>Harrisburg, PA 17105-3608 |                             |             |               |    |
| DIMENSIONS: INCHES  |  | CHK          | S YODER    | 11/7/03 |   |                             |             |               |    |
| TOLERANCES UNLESS OTHERWISE SPECIFIED:  |  | APVD         | S YODER    | 11/7/03 |   |                             |             |               |    |
| 0 PLC ± -<br>1 PLC ± -<br>2 PLC ± .01<br>3 PLC ± .005<br>4 PLC ± -<br>ANGLES ± 1° |  | PRODUCT SPEC |            | NAME    |   | 6 SERIES, .187 WIDE QC TABS |             |               |    |
| MATERIAL  |  | FINISH       |            | WEIGHT  | SIZE  | CAGE CODE                   | DRAWING NO  | RESTRICTED TO |    |
| -   |  | ⚡            |            | -       | A2  | 00779                       | 5-1437644-8 | -             |    |
| CUSTOMER DRAWING  |  |              |            | SCALE   | 4:1   | SHEET                       | 1 of 1      | REV           | 01 |