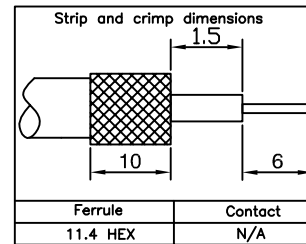
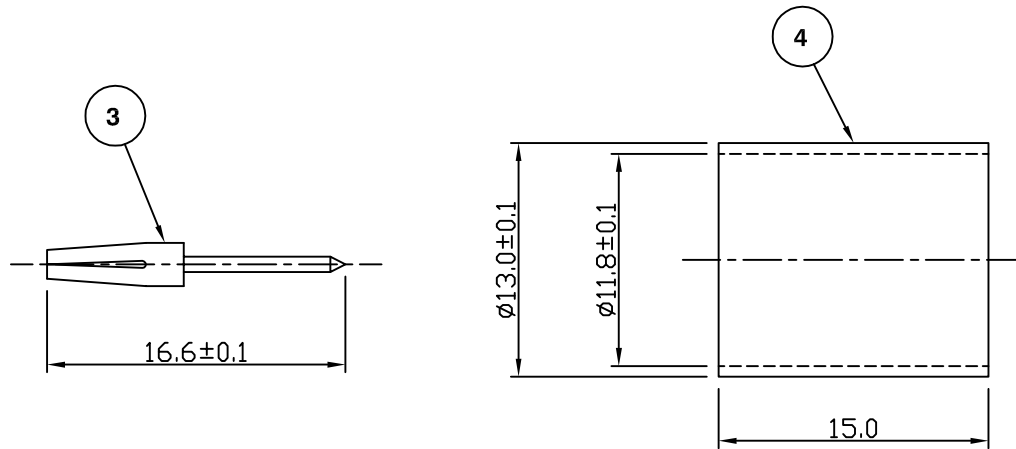
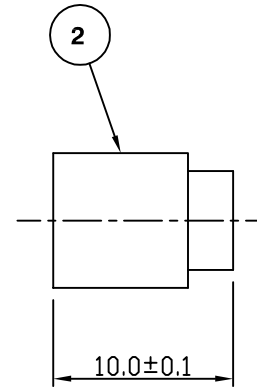
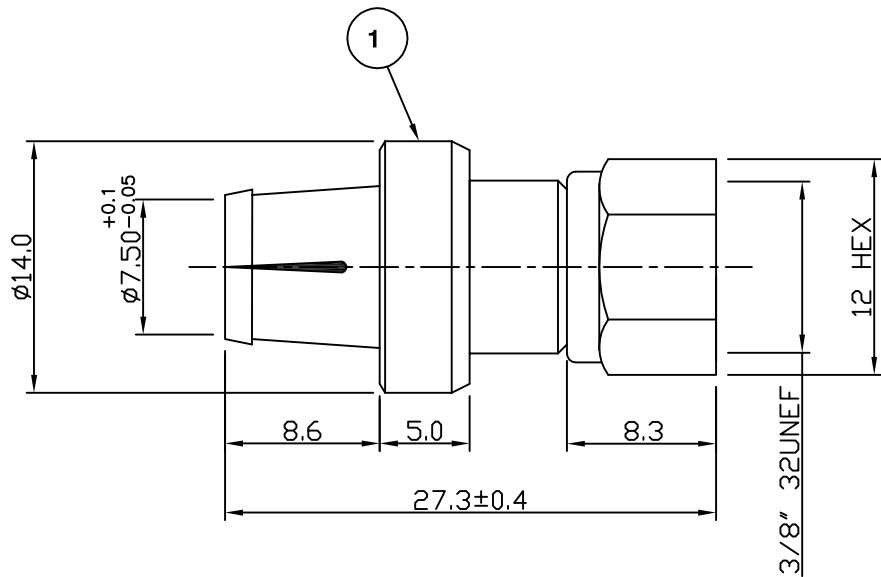


RoHS COMPLIANT



For stripping and assembly instructions see Drawing Number: VAIF1106

**Electrical Characteristics**

Nominal Impedance:	Non Constant
Frequency Range:	DC to 2 GHz
VSWR:	1.35:1 maximum
Insertion Loss:	0.2 dB at 2 GHz
Operating Voltage (rms):	250 V maximum at sea level
Dielectric Withstand Voltage (rms):	1500 V maximum at sea level
Contact Resistance:	3.0 milliohms maximum
Insulation Resistance:	5000 megohms minimum

**Mechanical Characteristics**

Mating Cycles:	50 cycles (subject to cable)
Interface Dimensions:	Conform to MIL-C-39012

**Environmental Characteristics**

Temperature Range:	-65 °C to +165 °C
--------------------	-------------------

PART	DESCRIPTION
1	Body Brass, nickel plated 1.78 μm
2	Dielectric PTFE
3	Contact Brass, gold plated 0.076 μm - 0.127 μm
4	Ferrule Brass, nickel plated 1.78 μm

DESCRIPTION OF REVISION	APPVD	ISS	DATE
Strip And Crimp Dims Added	LB	3	26 Aug 09
CAD Issue	SN	2	05 Feb 02
First Issue	DJH	1	21 June 98



Cinch Connectivity Solutions  
7-13 Russel Way,  
Widford Industrial Estate,  
Chelmsford, Essex,  
CM1 3AA, UK.  
Tel: +44 (0) 1245 359515  
Fax: +44 (0) 1245 358938

SCALE: Not To Scale

DIMENSIONS: mm

TOLERANCES:  
± 0.2mm unless  
otherwise stated

DRAWN BY:	S Nash
CHECKED BY:	S Nash
APPROVED BY:	M Nielsen
DATE:	05 Feb 02

TITLE:  
**F Crimp Plug For CT167, RG11**

PART NUMBER:  
**VF10-167**

PAGE: 1 of 1