

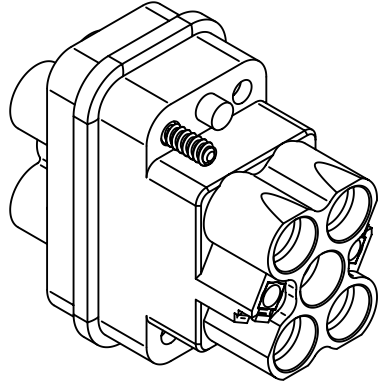
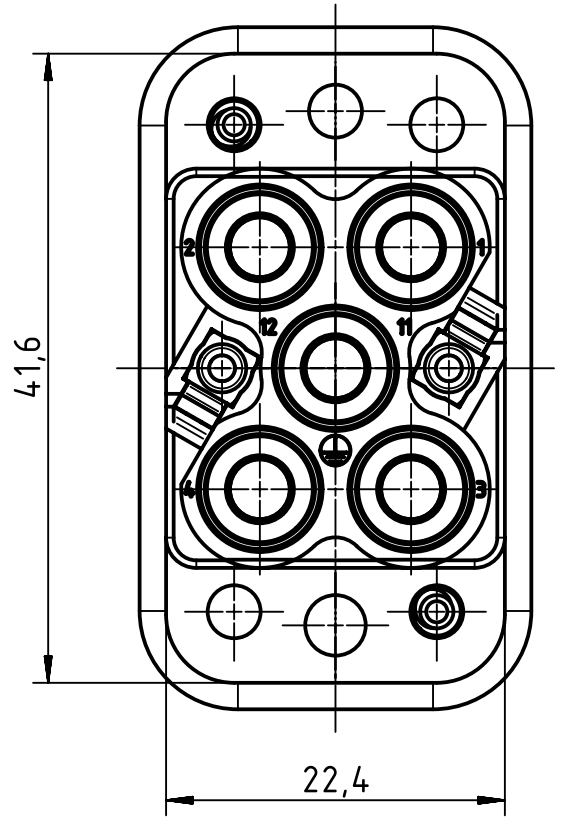
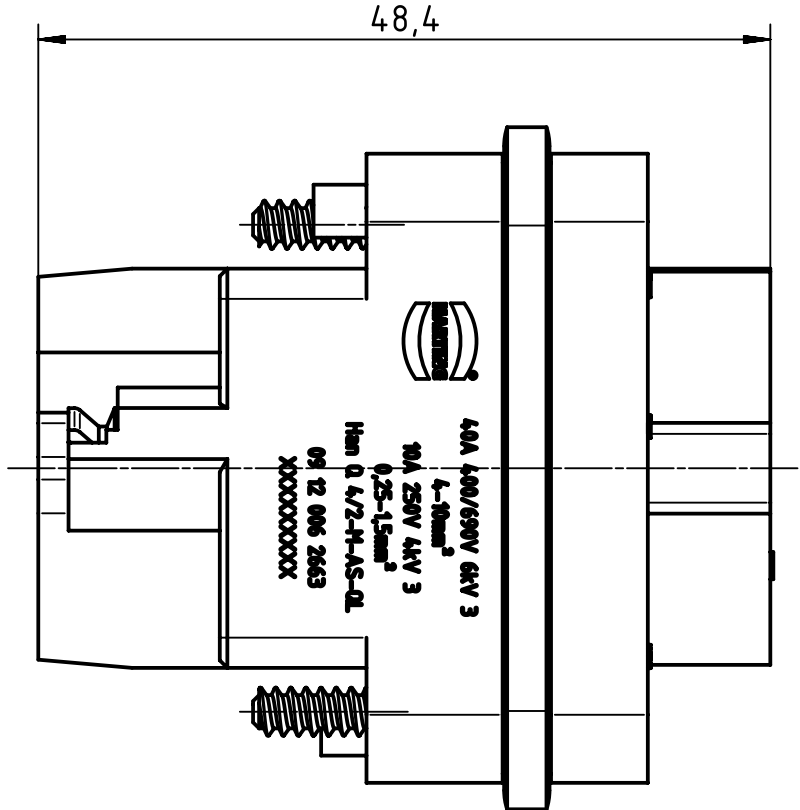
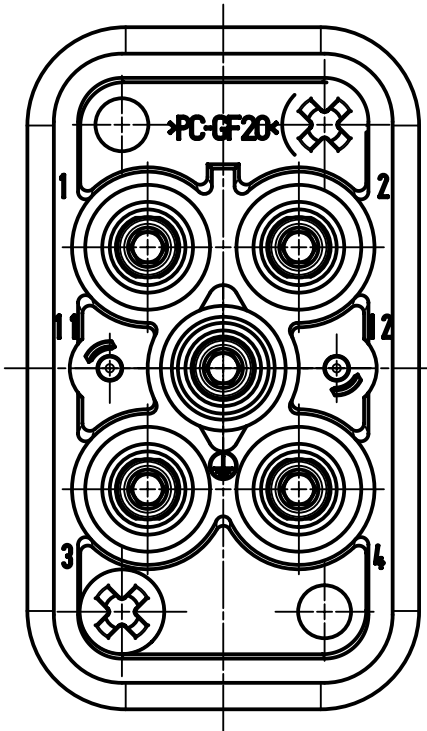
1 2 3 4 5 6

A

B

C

D



Coating	A=	mm ²	V=	mm ³	m=	g	Mat.
	All Dimensions in mm Original Size DIN A4		Scale 2:1	Free size tol.			Ref. Sub.
	All rights reserved Department EL PD - DE		Created by FINKEV	Inspected by BERGHORN	Standardisation TIEMANNA	Date 2015-06-24	State Final Release
HARTING Electric GmbH & Co. KG D-32339 Espelkamp			Title Han Q 4/2 male insert with Quick Lock				Doc-Key / ECM-Nr. 100196366/UGD/006/A 500000089177
			Type TB	Number 09 12 006 2663			Rev. A Page 1/1

Mouser Electronics

Authorized Distributor

Click to View Pricing, Inventory, Delivery & Lifecycle Information:

[HARTING:](#)

[09120062663](#)