

THIS DRAWING IS UNPUBLISHED.

RELEASED FOR PUBLICATION

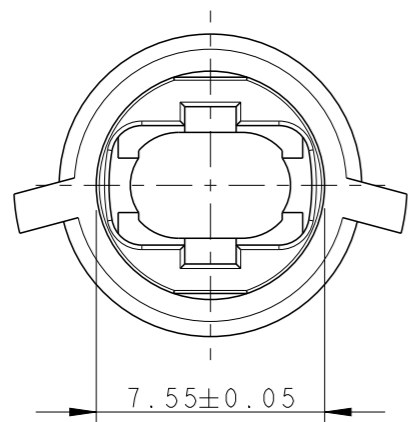
20

© COPYRIGHT 20 BY -

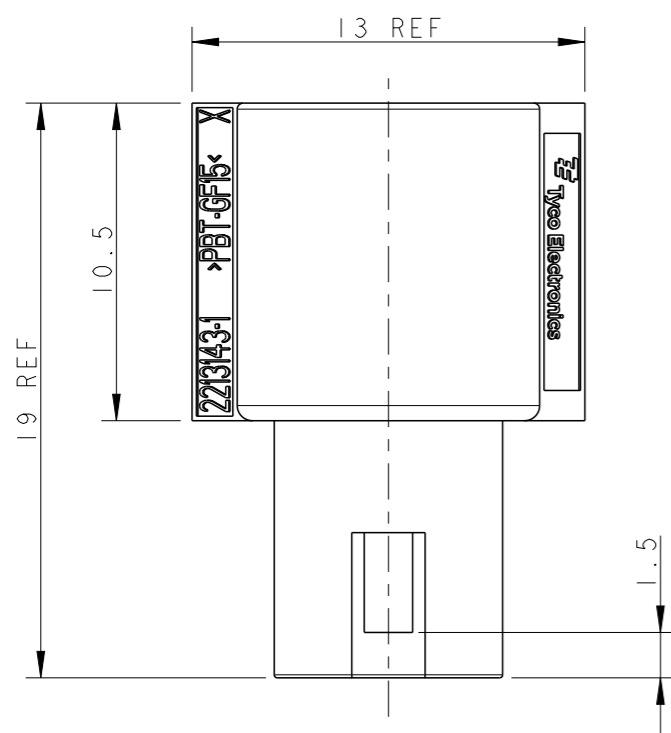
ALL RIGHTS RESERVED.

LOC	DIST
-	-

REVISIONS					
P	LTR	DESCRIPTION	DATE	DWN	APVD
	A	REVISED PER ECR-13-000946	25JAN2013	RS	DD



1 MATERIAL: PBT-GF15

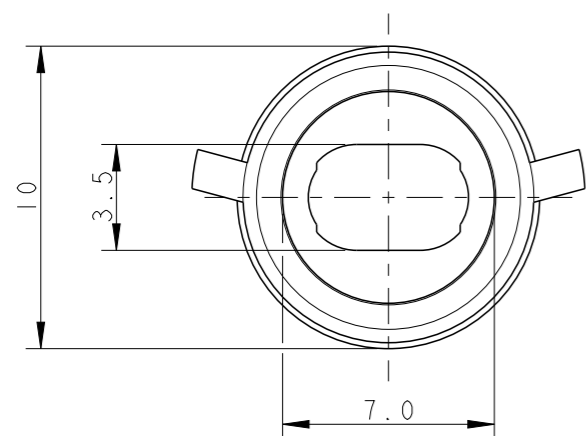
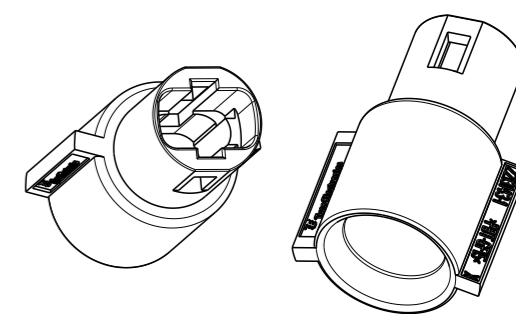
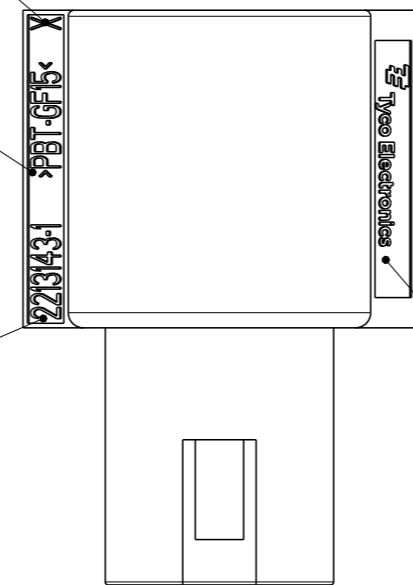


MOLD CAVITY ID

RAW MATERIAL

TE PART NUMBER

TE LOGO



2213143-1

PART NUMBER

THIS DRAWING IS A CONTROLLED DOCUMENT.

DWN RAVI.S 14SEP2012

CHK D.DECKER 14SEP2012

APVD D.DECKER 14SEP2012

PRODUCT SPEC

APPLICATION SPEC

WEIGHT

Customer Drawing

DIMENSIONS:
mm




TOLERANCES UNLESS OTHERWISE SPECIFIED:

0 PLC	±
1 PLC	±0.5
2 PLC	±0.13
3 PLC	±0.013
4 PLC	±0.0001
ANGLES	±

MATERIAL



FINISH

 TE Connectivity			
NAME MINI HVL LIGHTING SYSTEM 7.5mm CHASSIS MOUNT HOUSING SUPPORT FOR SVT WIRE.			
SIZE	CAGE CODE	DRAWING NO	RESTRICTED TO
A3	00779	C-2213143	-
SCALE 4:1		SHEET 1 OF 1	REV A