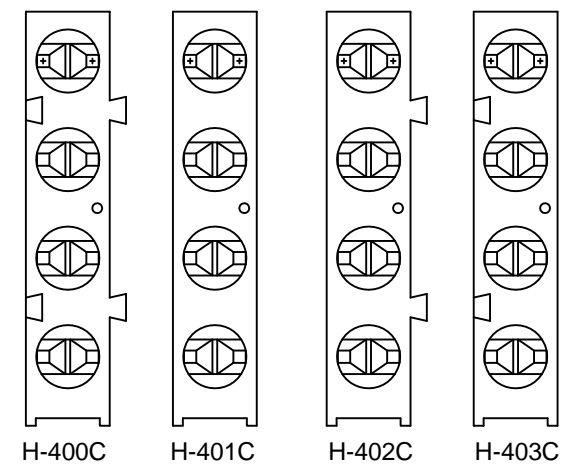
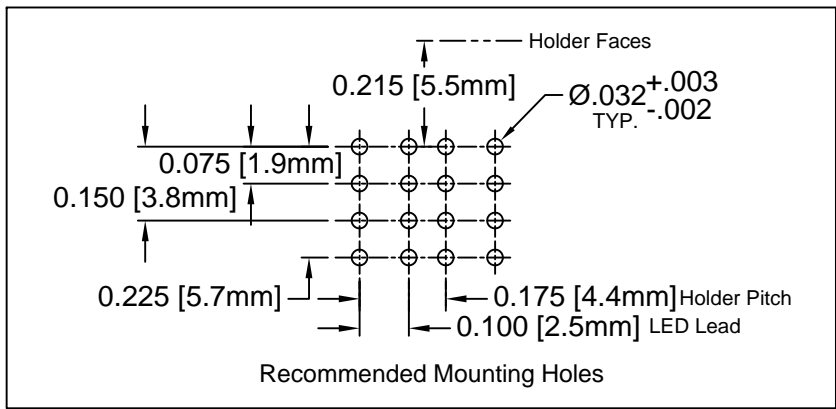
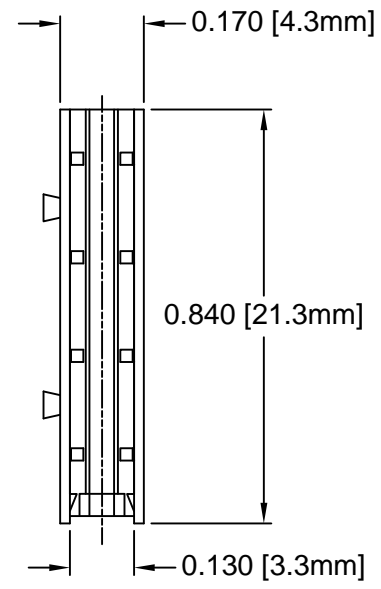
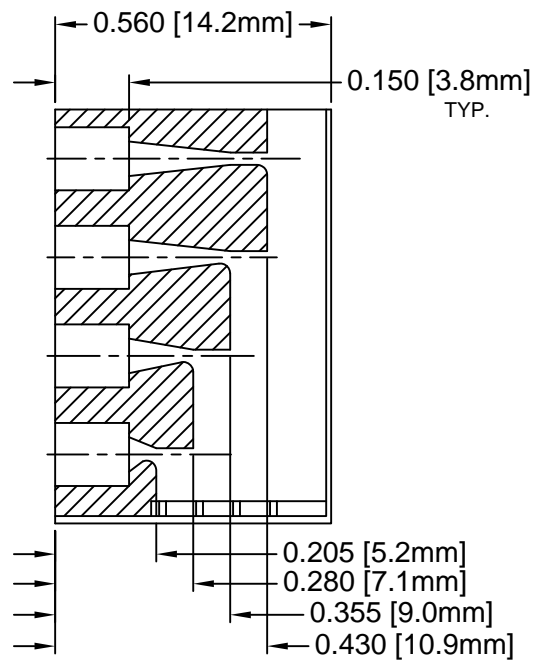
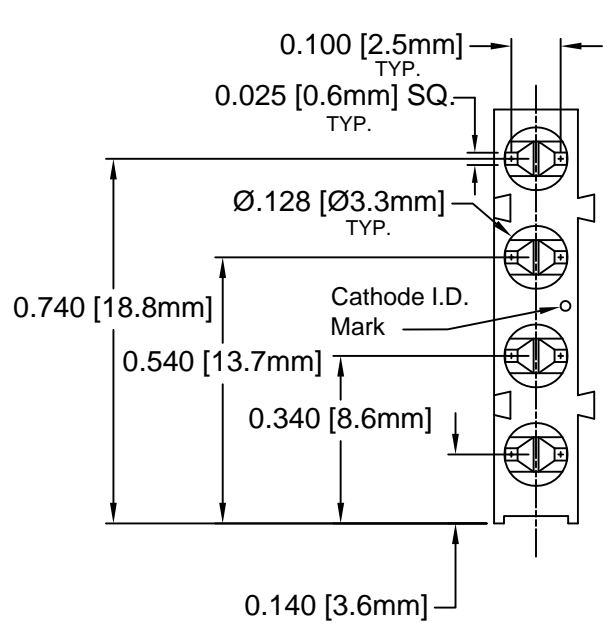


REV.	DESCRIPTION	DATE	APPROVED
B	Engineering Update w/o Changes	02/27/04	M. C.
C	Core Modification	02/26/08	M. C.
D	Corrected Conversion Error	03/03/08	M. C.
E	Removed Core Modification	08/05/09	T. Y.
F	Removed Material Code	05/28/16	J. C.



STANDARD TOLERANCE (UNLESS OTHERWISE SPECIFIED)		 4 THOMAS, IRVINE, CA. 92618 TEL: (949) 951-8808 FAX: (949) 951-3974	
DECIMALS	ANGULAR		
.X ± .1	X° ± 1°	 <b>TITLE:</b> QUAD-LEVEL T-1 (3mm) LED HOLDER INTERLOCKING	
.XX ± .01			
.XXX ± .005			
DESIGNED: <b>D. Green</b>	DATE: <b>04/15/03</b>	<b>PART NO:</b> H-40XC	REVISION: <b>F</b>
CHECKED: <b>M. Chen</b>	DATE: <b>04/15/03</b>	<b>CAGE CODE :</b> 32559	<b>SHEET #</b> 1 OF 1
CAD GENERATED DOCUMENT. DO NOT MEASURE DRAWING.			

- 2. MATERIAL: NYLON 6/6, 94V-0, BLACK.
- 1. GENERAL SPECIFICATIONS: BIVAR MOLDED COMPONENT SPECIFICATION BV00-E101.