



**TA3FS SERIES**  
3 PIN



**TA4FS SERIES**  
4 PIN



**TA5FS SERIES**  
5 PIN



**TA6FS SERIES**  
6 PIN



**TA7FS SERIES**  
7 PIN



**TA8FS SERIES**  
8 PIN

AS VIEWED FROM FRONT MATING SIDE

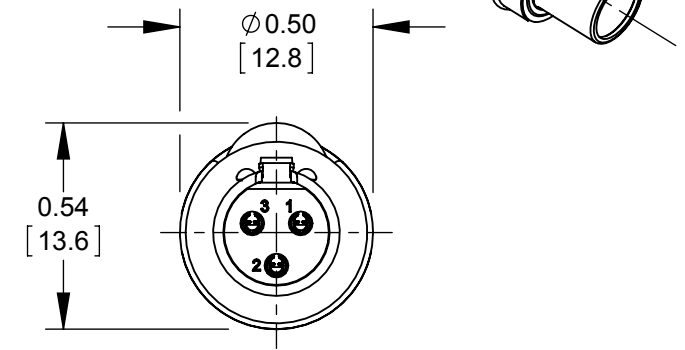


**NUMBER OF CONTACTS**  
 3 - 3 PIN 22 AWG PINS  
 4 - 4 PIN 22 AWG PINS  
 5 - 5 PIN 22 AWG PINS  
 6 - 6 PIN 22 AWG PINS  
 7 - 7 PIN 28 AWG PINS  
 8 - 8 PIN 28 AWG PINS

**CABLE SIZE**  
 11 -  $\varnothing$ 0.100 - 0.120 [2.54 - 3.05]  
 15 -  $\varnothing$ 0.140 - 0.160 [3.56 - 4.06]  
 20 -  $\varnothing$ 0.190 - 0.210 [4.83 - 5.33]  
 25 -  $\varnothing$ 0.230 - 0.260 [5.84 - 6.60]

**GENDER**  
 F - FEMALE  
 S - SEALED VERSION

**PART NUMBER ORDERING CODE**



**TA3FS SHOWN**

**CUSTOMER DRAWING**

**NOTES:**

- MATERIALS:**  
 HOUSING - COPPER ALLOY, NICKEL PLATED  
 PIN CONTACTS - COPPER ALLOY, SILVER PLATED  
 LATCH BUTTON - RIGID THERMOPLASTIC, BLACK  
 PIN INSULATOR - RIGID THERMOPLASTIC, DARK BROWN  
 LATCH SPRING - COPPER ALLOY, NICKEL PLATED  
 CABLE CLAMP - STEEL, TIN PLATED  
 BUTTON SEAL BOOT - THERMOPLASTIC RUBBER, BLACK  
 INSERT MOLDED HANDLE - THERMOPLASTIC RUBBER OVER RIGID THERMOPLASTIC, BLACK

2. THIS PRODUCT IS RoHS COMPLIANT.

					THIS DRAWING DESCRIBES A DESIGN CONSIDERED PROPRIETARY IN NATURE, DEVELOPED AND MANUFACTURED BY SWITCHCRAFT INC. AND IS RELEASED ON A CONFIDENTIAL BASIS FOR IDENTIFICATION PURPOSES ONLY.				
					SIZE	WIDTH	MULT	LBS/M	TEMPER
					FINISH SPEC No.			MATERIAL SPEC No.	
					FIRST USED ON		SCALE 2:1		
REV	ECO NUMBER	DATE	BY	APVD	DATE DRAWN	BY	CHKD	APVD	
B	27629	12-18-15	TO	TJK	1/29/13	AB	AB	TJK	
A	27552	8-14-15	TO	TJK			1/29/13	9-28-15	
REVISIONS					NAME SEALED TINI Q-G FEMALE, ROHS				
					PART No. TA_FS SERIES				
					DO NOT SCALE DRAWING				
					REV B				

# Mouser Electronics

Authorized Distributor

Click to View Pricing, Inventory, Delivery & Lifecycle Information:

## Switchcraft:

[TA6FS11](#) [TA6FS15](#) [TA5FS15](#) [TA5FS11](#) [TA6FS20](#) [TA6FS25](#) [TA8FS20](#) [TA8FS25](#) [TA3FS15](#) [TA3FS11](#) [TA4FS11](#)  
[TA4FS15](#) [TA8FS15](#) [TA8FS11](#) [TA5FS25](#) [TA5FS20](#) [TA4FS25](#) [TA3FS20](#) [TA3FS25](#) [TA4FS20](#) [TA7FS11](#) [TA7FS15](#)  
[TA7FS25](#) [TA7FS20](#)