

Customer Information Sheet

DRAWING No.: M22-6013005

SHEET 2 OF 2

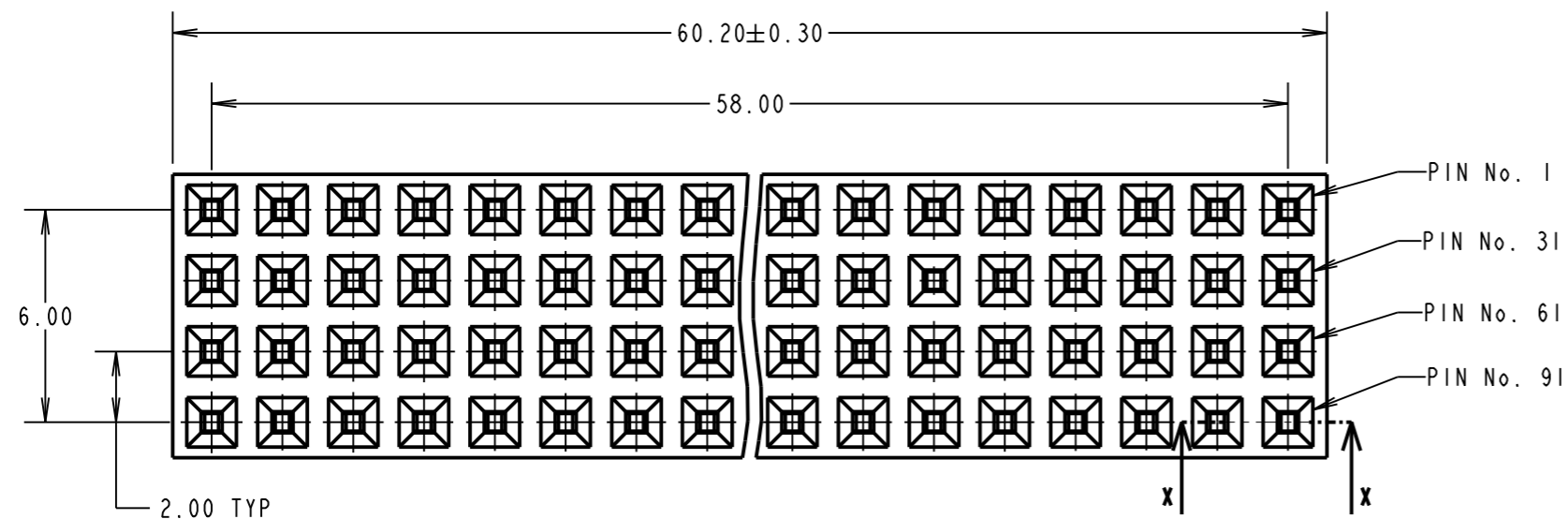
IF IN DOUBT - ASK

©

NOT TO SCALE

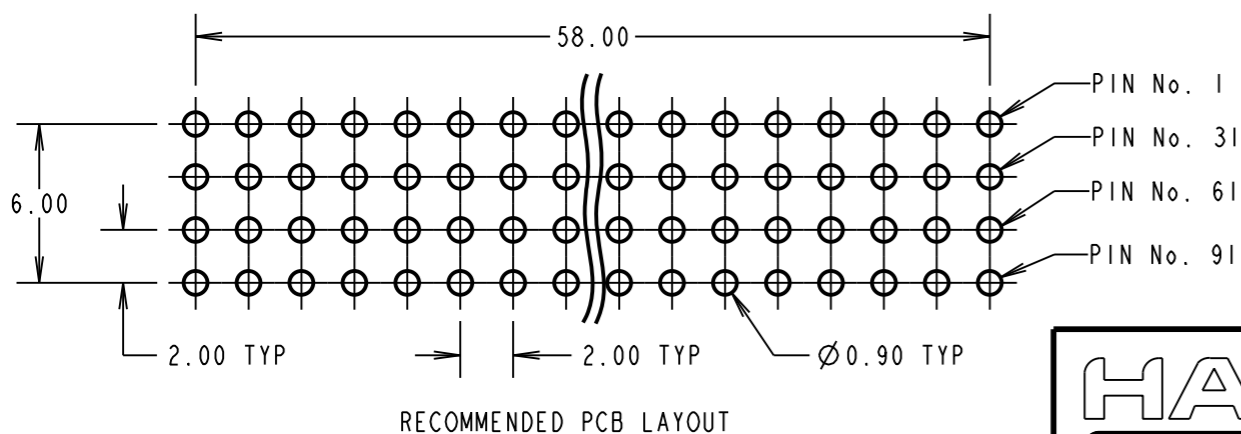
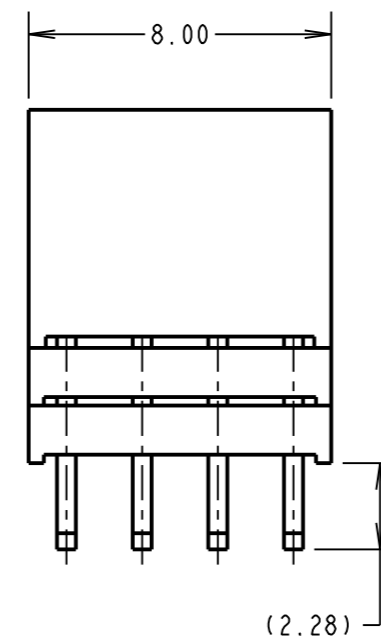
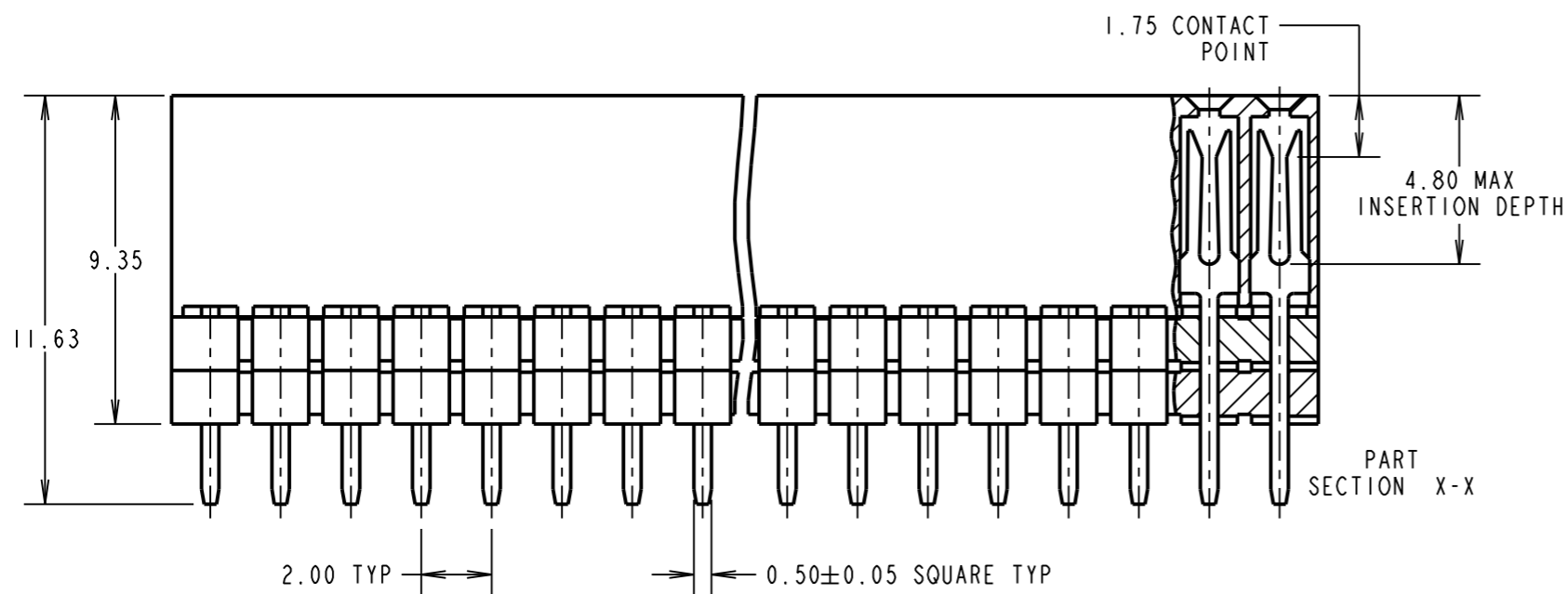
THIRD ANGLE PROJECTION

ALL DIMENSIONS IN mm



1. ALL TOLERANCES ARE ±0.20 UNLESS OTHERWISE STATED.

SPECIFICATION:
MATERIAL:
 MOULDING = NYLON 6T, UL94V-0, BLACK
 CONTACTS = PHOSPHOR BRONZE
FINISH:
 CONTACTS = 0.08µ GOLD OVER NICKEL
ELECTRICAL:
 CURRENT RATING = 1A MAX
 CONTACT RESISTANCE = 30mΩ MAX
 INSULATION RESISTANCE = 5000MΩ MIN
 VOLTAGE PROOF = 800V AC FOR 1 MINUTE
MECHANICAL:
 INSERTION FORCE = 2.0N/PIN MAX
 WITHDRAWAL FORCE = 0.3N/PIN MIN
ENVIRONMENTAL:
 TEMPERATURE RANGE = -55°C TO +105°C
PACKING:
 TUBE
 FOR COMPLETE SPECIFICATIONS, SEE COMPONENT SPECIFICATION C039XX.



ORDER CODE:
M22-6013005
 No. OF CONTACTS PER ROW: 30
 FINISH:
 05 = GOLD ALL OVER NICKEL

SB	5	26.09.13	12212
NAME	ISS.	DATE	C/NOTE
APPROVED:		S.BENNETT	
CHECKED:		S.FLOWER	
DRAWN:		D.BECK	
CUSTOMER REF.:			
ASSEMBLY DRG:			

 www.harwin.com technical@harwin.com	THIS DRAWING AND ANY INFORMATION OR DESCRIPTIVE MATTER SET OUT HEREON ARE CONFIDENTIAL AND COPYRIGHT PROPERTY OF THE HARWIN GROUP AND MUST NOT BE DISCLOSED, LOANED, COPIED OR USED FOR MANUFACTURING, TENDERING OR FOR ANY OTHER PURPOSE WITHOUT THEIR WRITTEN PERMISSION.	TOLERANCES X. = ±1mm X.X = ±0.25mm X.XX = ±0.10mm X.XXX = ±0.01mm ANGLES = ±5° UNLESS STATED	MATERIAL: SEE ABOVE	TITLE: PCI04 PLUS CONNECTOR (NON-STACKTHROUGH)
		FINISH: SEE ABOVE	S/AREA: mm ²	DRAWING NUMBER: M22-6013005