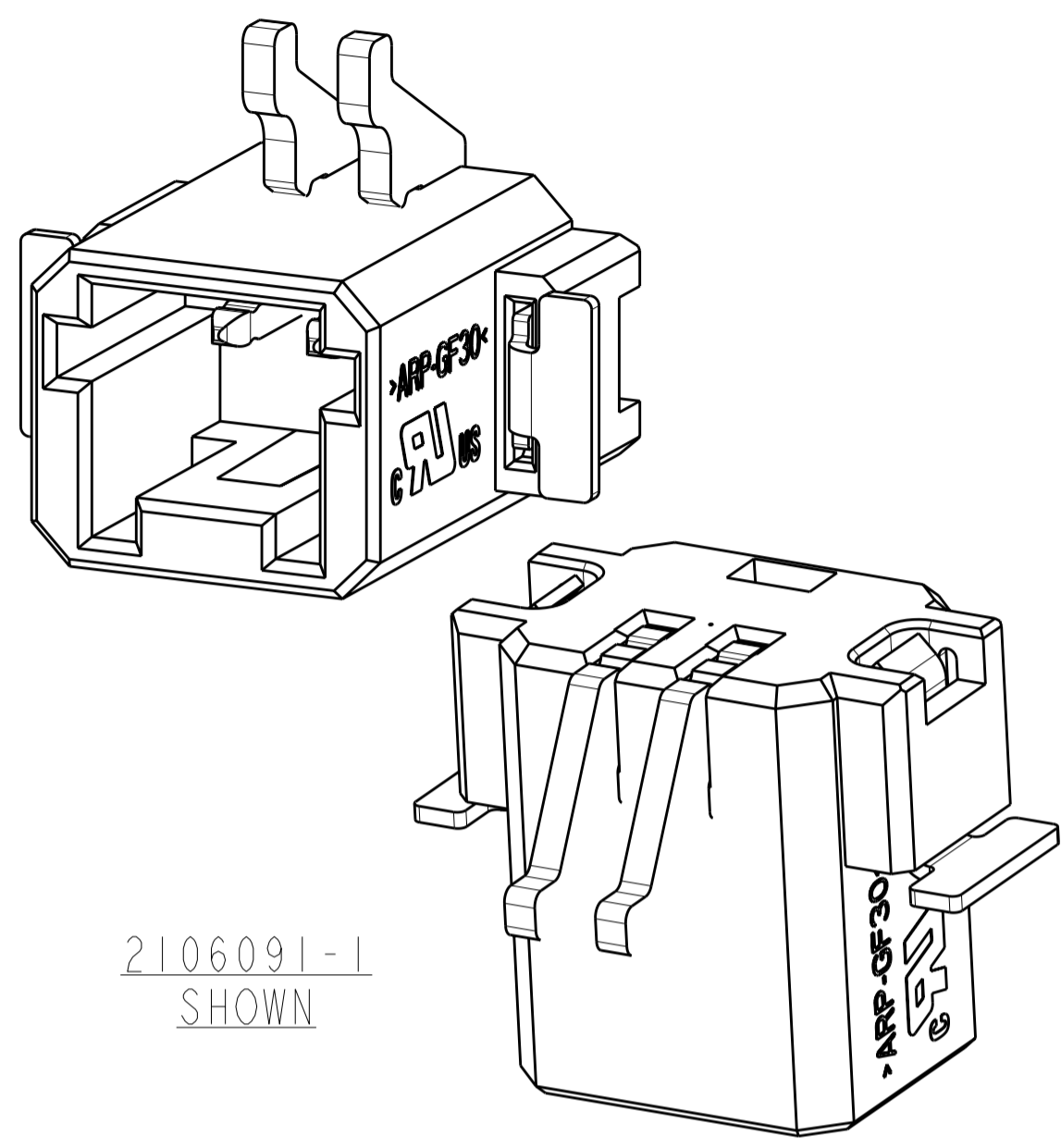
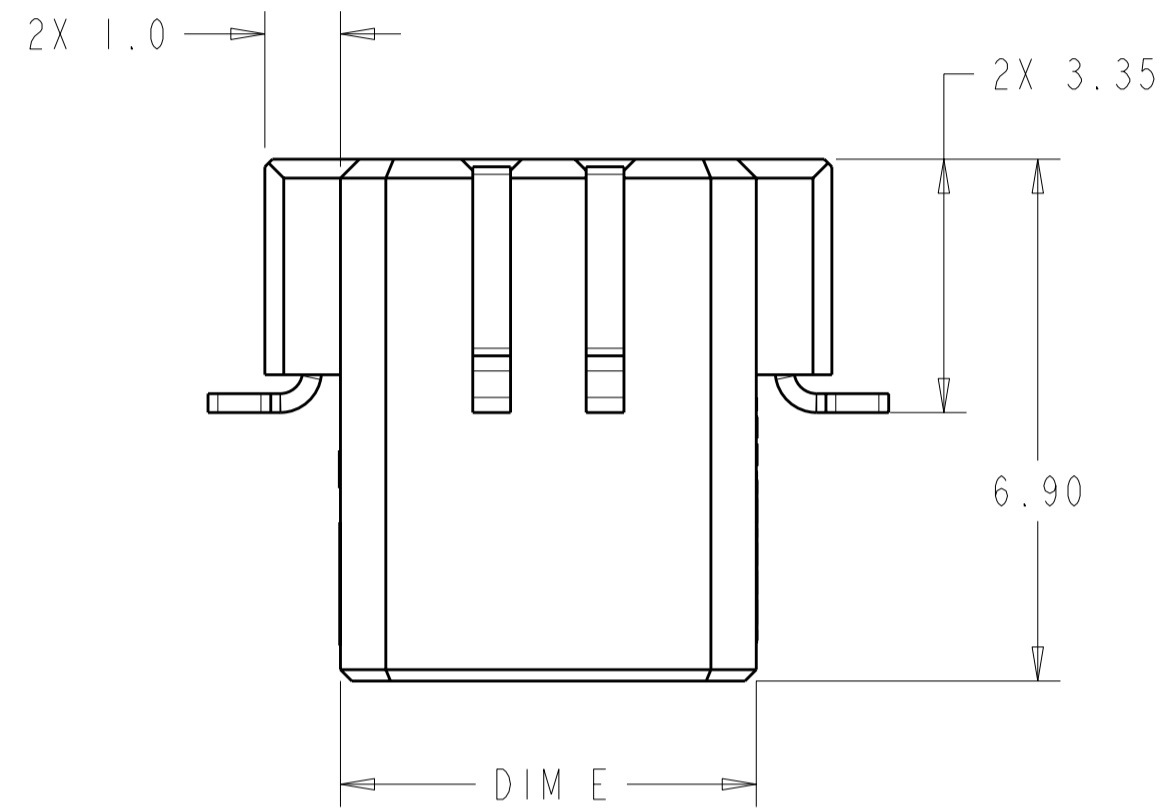
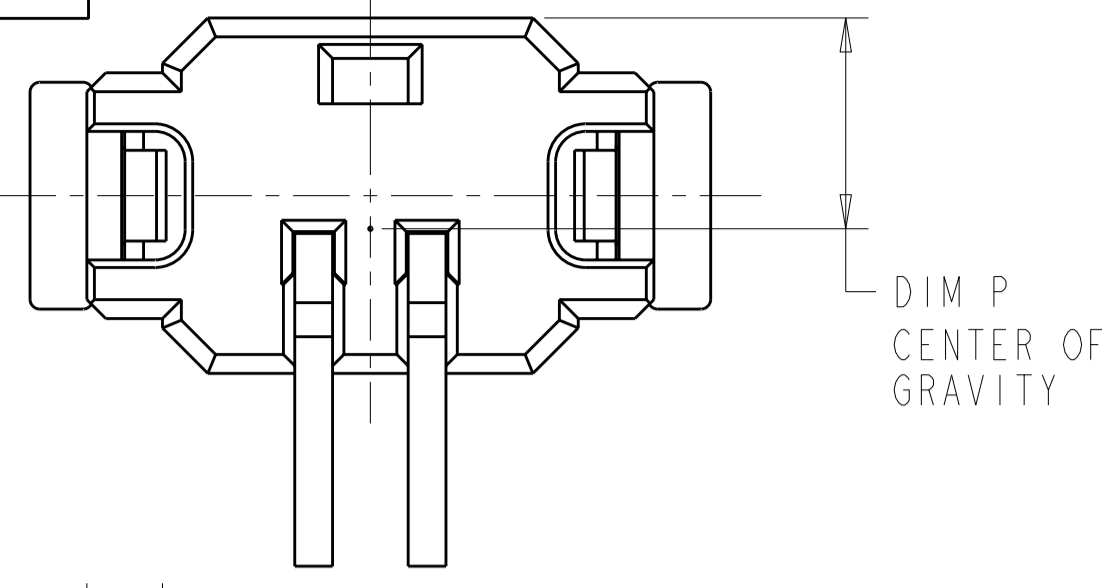


THIS DRAWING IS UNPUBLISHED. RELEASED FOR PUBLICATION 20
 © COPYRIGHT 20 BY - ALL RIGHTS RESERVED.

REVISIONS						
P	LTR	DESCRIPTION	DATE	DWN	APVD	
	AI	REVISED PER ECO-11-004587	11MAR2011	RK	HMR	

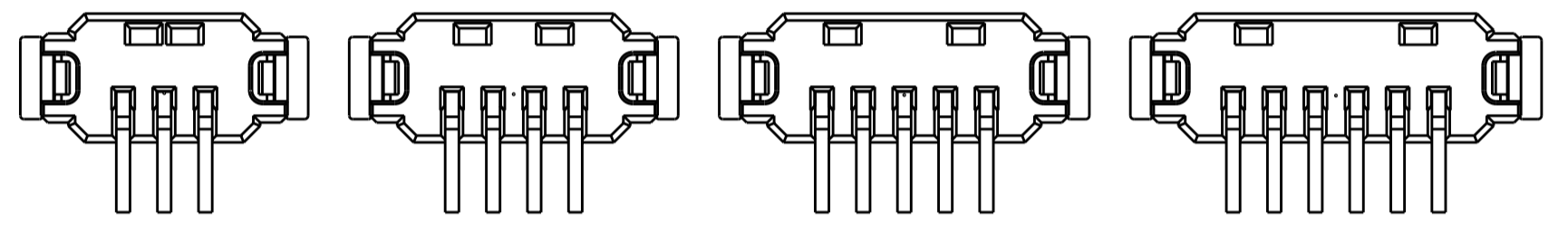


2106091-1
SHOWN

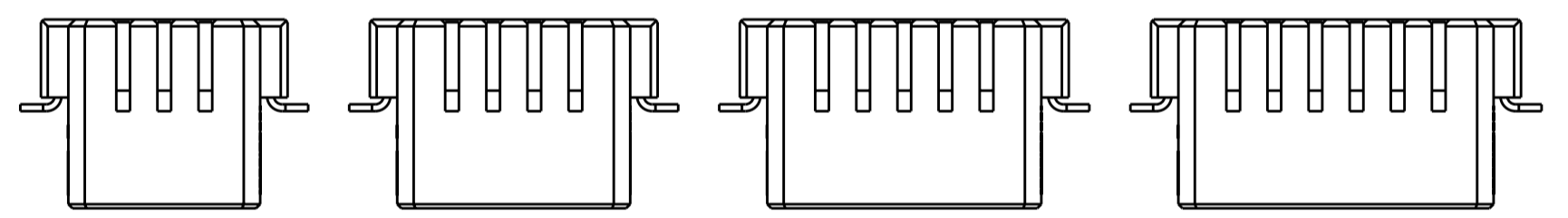


DIM P
CENTER OF GRAVITY

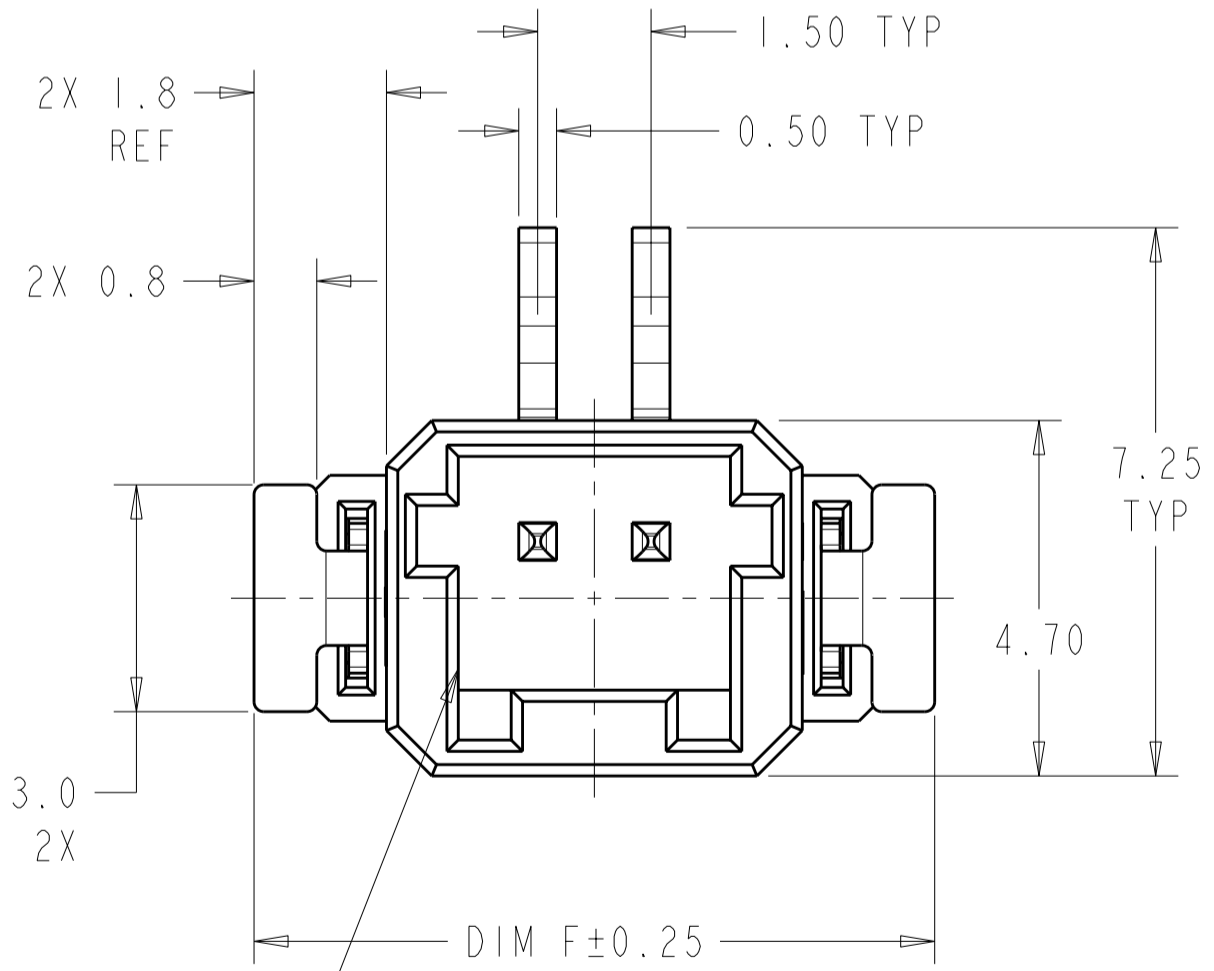
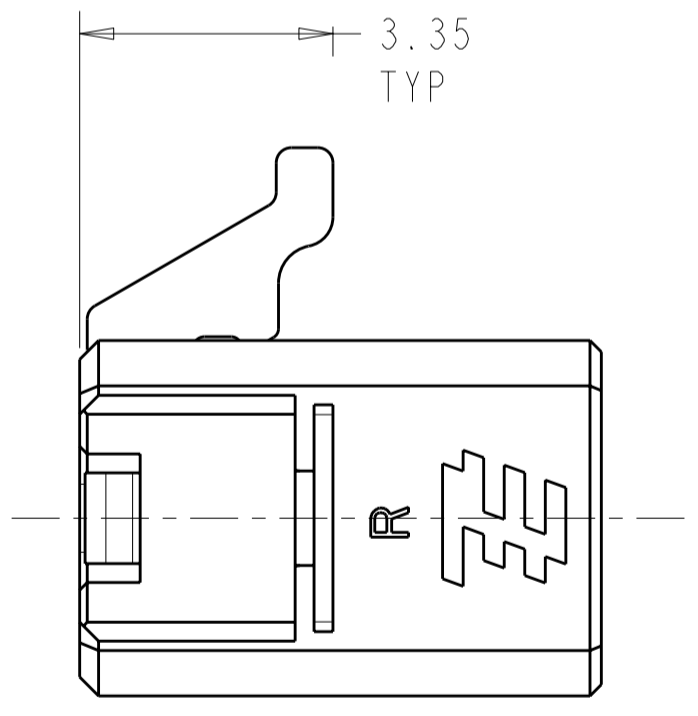
- ⚠ MATERIALS AND FINISH:
 -HOUSING: LCP, COLOR: NATURAL
 -CONTACTS: COPPER ALLOY, FINISH: Sn OVER Ni
 -HOLD DOWNS: BRASS, FINISH: Sn OVER Ni
- MUST COMPLY WITH DIRECTIVE 2002/95/EC (ROHS)
 - THIS PRODUCT HAS NOT COMPLETED VALIDATION TESTING
 - PACKAGED IN TAPE AND REEL PER EIA-481 SPECIFICATIONS. DIAMETER OF REEL TO BE 330.0mm



2106091-2 2106091-3 2106091-4 2106091-5



SCALE 4:1



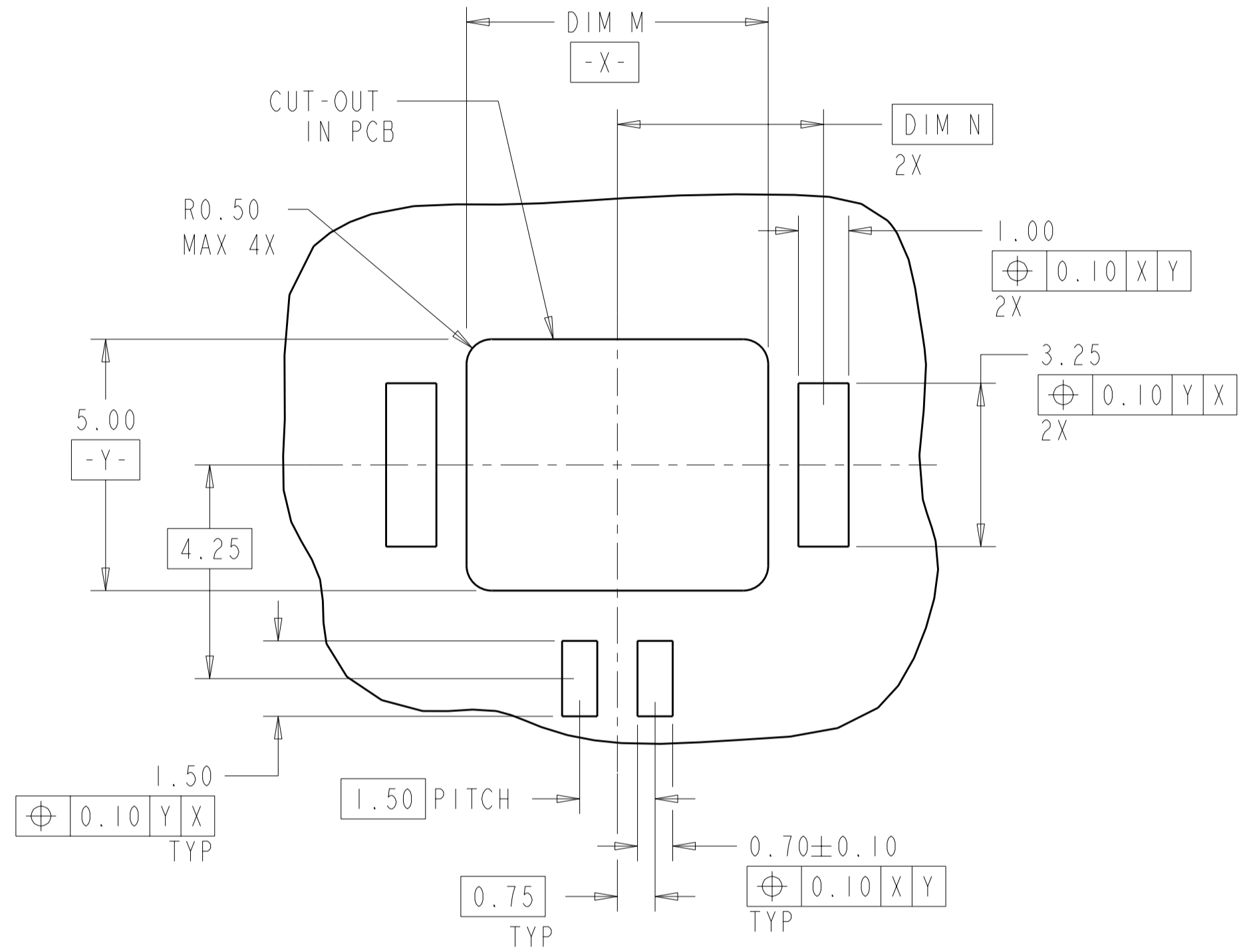
MINI-CT INTERFACE

2.99	7.10	12.00	15.11	11.50	6	2106091-5
2.97	6.35	10.50	13.61	10.00	5	2106091-4
2.94	5.60	9.00	12.11	8.50	4	2106091-3
2.90	4.85	7.50	10.61	7.00	3	2106091-2
2.79	4.10	6.00	9.11	5.50	2	2106091-1
DIM P	DIM N	DIM M	DIM F	DIM E	POSN	PART NUMBER

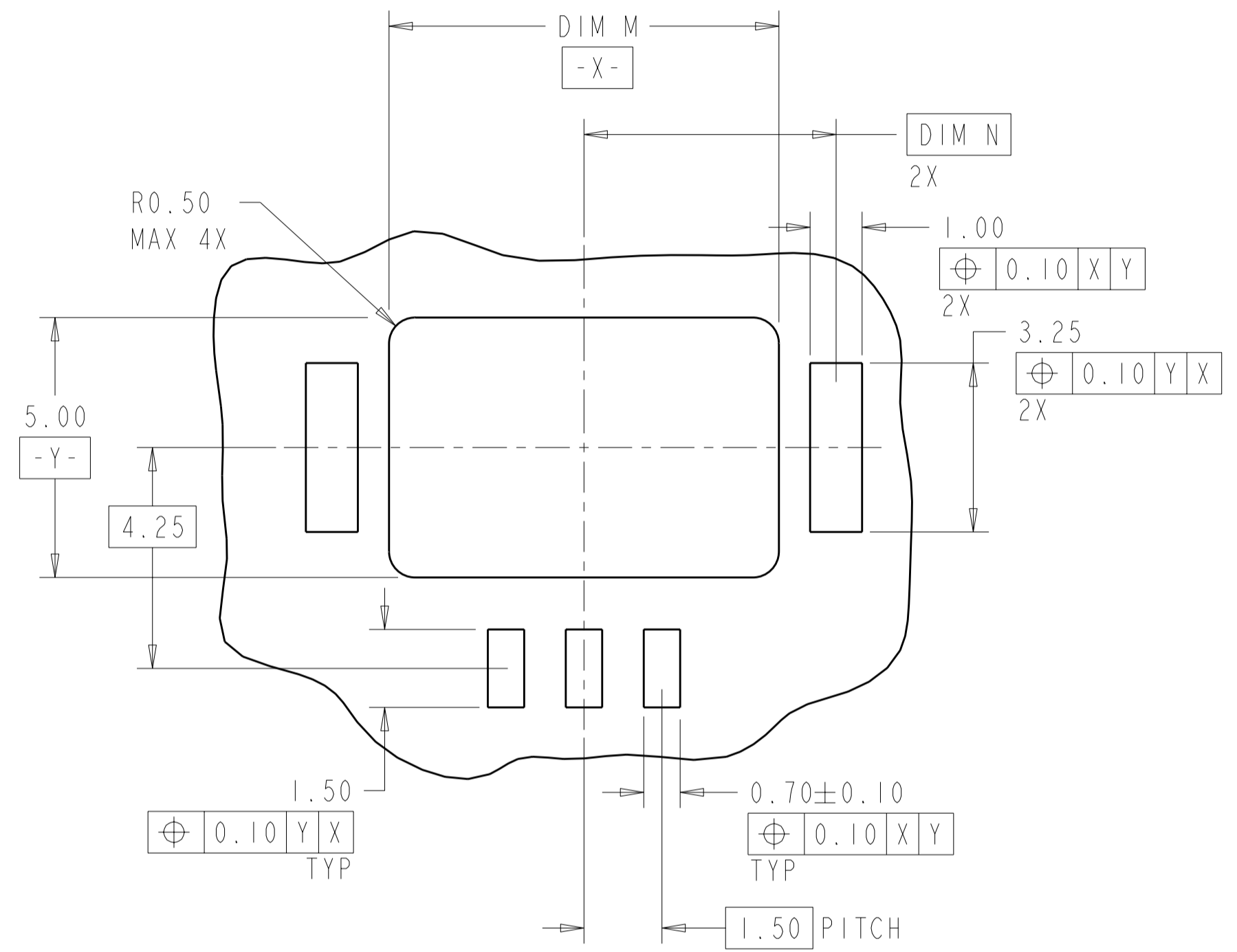
THIS DRAWING IS A CONTROLLED DOCUMENT.		DWN C. DAILY 14MAR2008	TE Connectivity ASSEMBLY, THRU BOARD INVERTED SMT CONNECTOR			
		CHK M. MOSTOLLER 14MAR2008				
DIMENSIONS: mm		TOLERANCES UNLESS OTHERWISE SPECIFIED:		APVD -	NAME	
0 PLC ± 1 PLC ±0.2 2 PLC ±0.13 3 PLC ± 4 PLC ± ANGLES ±3° FINISH		PRODUCT SPEC 108-2376 APPLICATION SPEC 114-13245 WEIGHT -		SIZE A2 CAGE CODE 00779 DRAWING NO 2106091		RESTRICTED TO -
MATERIAL		CUSTOMER DRAWING		SCALE 2:1	SHEET 1 OF 3	REV A1

THIS DRAWING IS UNPUBLISHED. RELEASED FOR PUBLICATION 20
 © COPYRIGHT 20 BY - ALL RIGHTS RESERVED.

LOC		DIST		REVISIONS			
P	LTR	DESCRIPTION	DATE	DWN	APVD		
-	-	SEE SHEET 1	-	-	-		



RECOMMENDED PCB LAYOUT
 EVEN NUMBER POSITIONS SHOWN
 SCALE 10:1

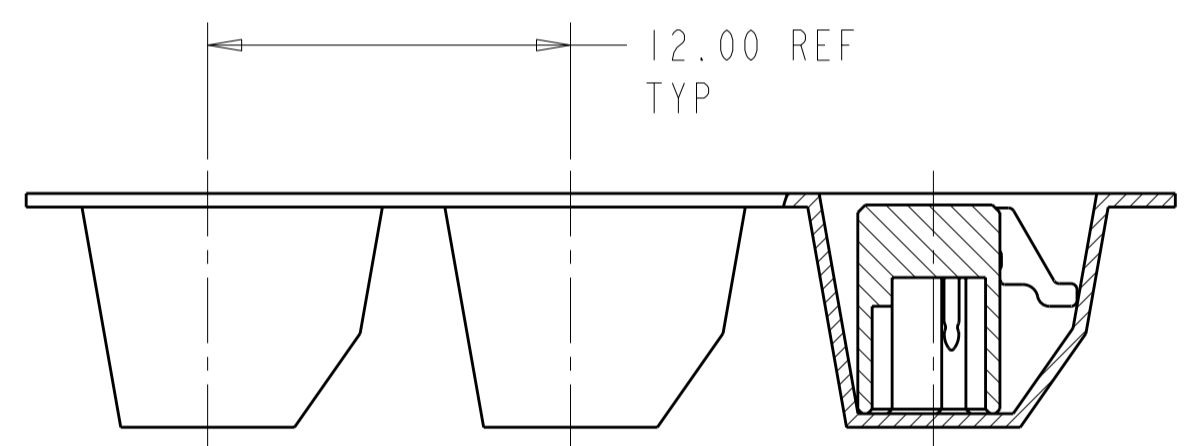
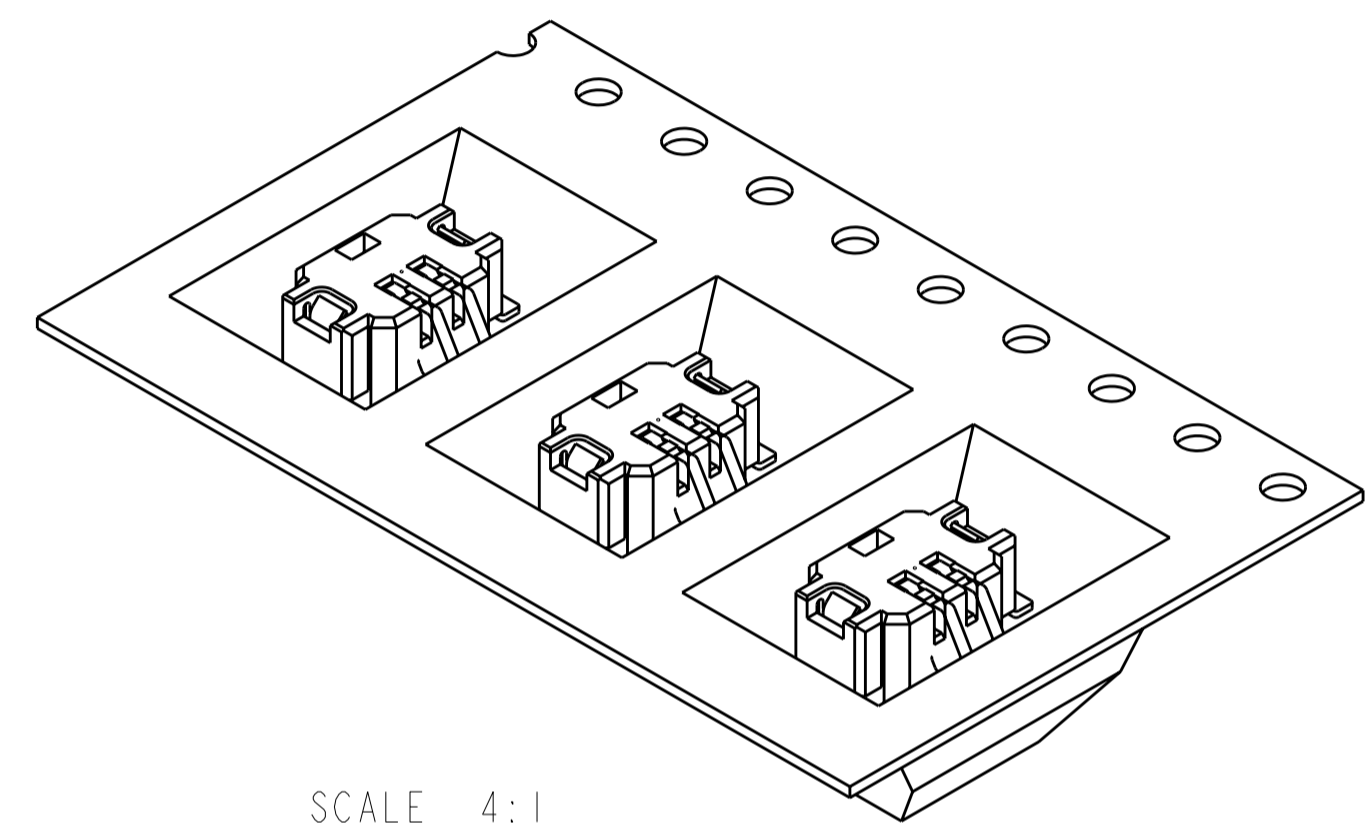
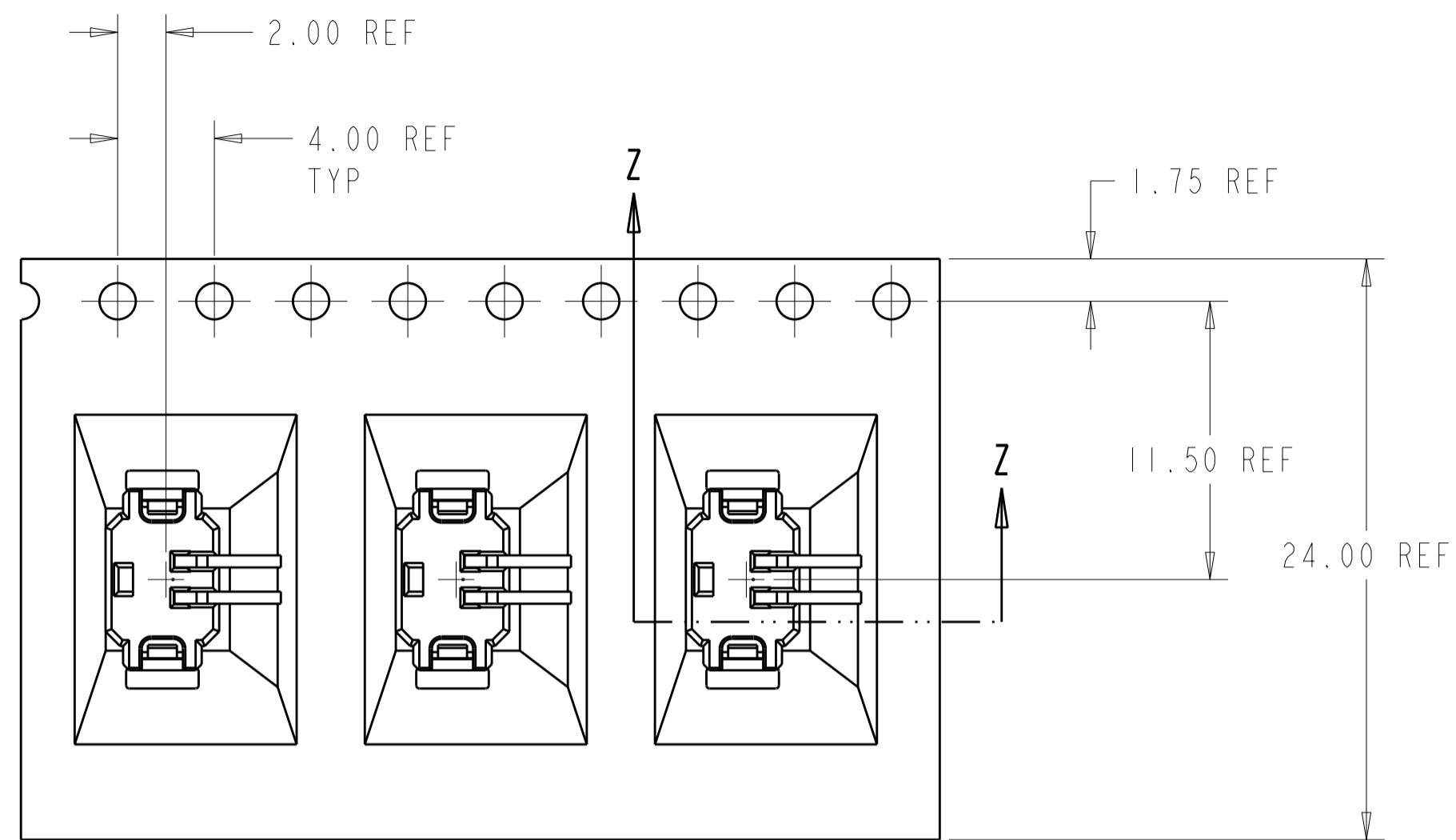


RECOMMENDED PCB LAYOUT
 ODD NUMBER POSITIONS SHOWN
 SCALE 10:1

THIS DRAWING IS A CONTROLLED DOCUMENT.		DWN C. DAILY 14MAR2008	TE Connectivity	
		CHK M. MOSTOLLER 14MAR2008		
DIMENSIONS: mm		TOLERANCES UNLESS OTHERWISE SPECIFIED:		NAME ASSEMBLY, THRU BOARD INVERTED SMT CONNECTOR
		0 PLC ±	1 PLC ±0.2	APVD
		2 PLC ±0.13	3 PLC ±	PRODUCT SPEC
		4 PLC ±	ANGLES ±3°	APPLICATION SPEC
MATERIAL		FINISH		WEIGHT
				SIZE A2
				CAGE CODE 00779
				DRAWING NO 2106091
				RESTRICTED TO
				SCALE 2:1
				SHEET 2 OF 3
				REV A1

THIS DRAWING IS UNPUBLISHED. RELEASED FOR PUBLICATION 20
 © COPYRIGHT 20 BY - ALL RIGHTS RESERVED.

LOC		DIST		REVISIONS			
P	LTR	DESCRIPTION	DATE	DWN	APVD		
-	-	SEE SHEET 1	-	-	-		



SECTION Z-Z
SCALE 4:1

2106091-1 SHOWN IN POCKET TAPE

THIS DRAWING IS A CONTROLLED DOCUMENT.		DWN C. DAILY 14MAR2008	TE Connectivity	
DIMENSIONS: mm		CHK M. MOSTOLLER 14MAR2008		
TOLERANCES UNLESS OTHERWISE SPECIFIED:		APVD -	NAME ASSEMBLY, THRU BOARD INVERTED SMT CONNECTOR	
0 PLC ±-		PRODUCT SPEC -	SIZE A2	
1 PLC ±0.2		APPLICATION SPEC -	CAGE CODE 00779	DRAWING NO 2106091
2 PLC ±0.13		WEIGHT -	RESTRICTED TO -	
3 PLC ±-		CUSTOMER DRAWING	SCALE 2:1	
4 PLC ±-			SHEET 3 OF 3	
ANGLES ±3°		REV A1		
FINISH				