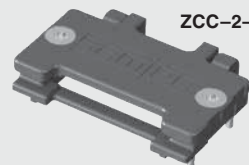


ZCI-2-16-Z



ZCC-2-TH

**ZCI, ZCC SERIES**

# ZRDP INTERFACE & CAGE ASSEMBLY

Mates with:  
ZRDP

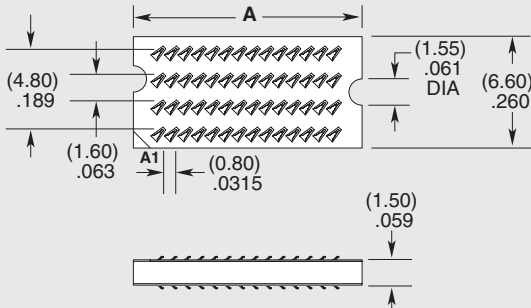
**SPECIFICATIONS**

For complete specifications and recommended PCB layouts see [www.samtec.com?ZCI](http://www.samtec.com?ZCI)

- Contact Material:** BeCu
- Plating:** Au over 40-100 μ" (1.016 -2.54 μm) Ni
- Core:** FR4
- Overlay:** Polyimide
- RoHS Compliant:** Yes

**Note:**  
Some sizes, styles and options are non-standard, non-returnable.

ZCI	SIZE	PAIRS	PLATING
<p><b>-1</b> = Fits ZCC-1-XX</p> <p><b>-2</b> = Fits ZCC-2-XX</p>		<p><b>-08</b> (Only available in size -1)</p> <p><b>-16</b> (Only available in size -2)</p>	<p><b>-Z</b> = 6 μ" (0.15 μm) Gold on contact</p>



SIZE	A
-1	(8.75) .344
-2	(13.55) .533

**SPECIFICATIONS**

For complete specifications and recommended PCB layouts see [www.samtec.com?ZCC](http://www.samtec.com?ZCC)

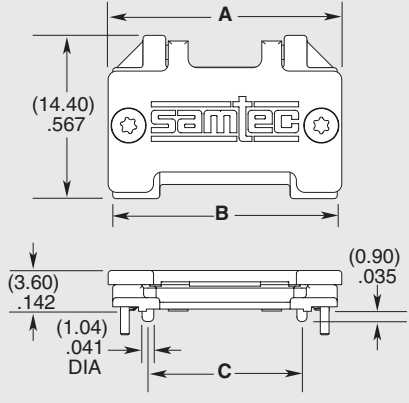
- Base:** Zinc, Black nickel plated
- Clamp:** Zinc, Black nickel plated
- Weld Tab:** Brass
- Screws:** Brass (T5 Torx®)
- Screw Retainer:** Polyimide
- RoHS Compliant:** Yes

**PROCESSING**

**Lead-Free Solderable:**  
Yes

**Note:**  
Some sizes, styles and options are non-standard, non-returnable.

ZCC	SIZE	WELD TAB
<p><b>-1</b> = Fits ZCI-1-XX-Z</p> <p><b>-2</b> = Fits ZCI-2-XX-Z</p>		<p><b>-TH</b> = Through-Hole</p>



SIZE	A	B	C
-1	(15.80) .622	(15.00) .591	(8.78) .346
-2	(20.60) .811	(19.80) .780	(13.58) .535

*Due to technical progress, all designs, specifications and components are subject to change without notice.*