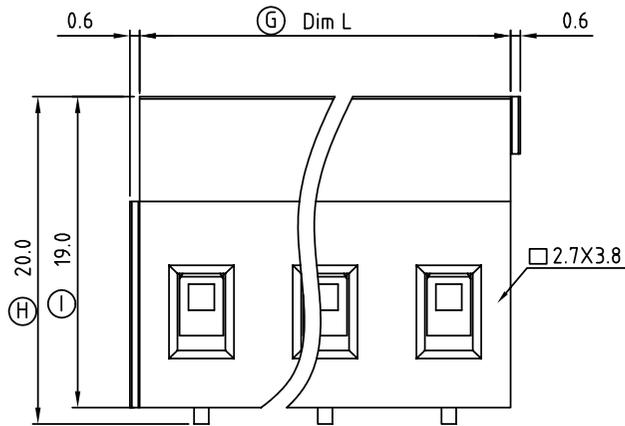


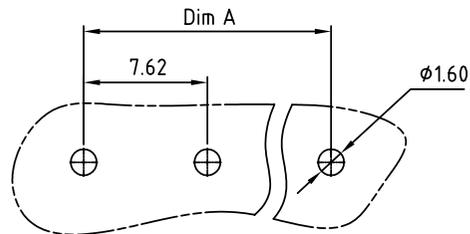
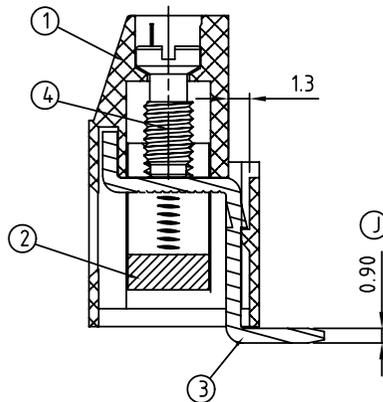
DIMENSION

Dim L	N×7.62	Poles	Tolerance
Dim A	(N-1)×7.62	4p-8p	±0.15
		9p-12p	±0.25
		13p-16p	±0.35

N=Number of contacts



N=Number of contacts



P.C.B LAYOUT

SIGN	DATE	DESCRIPTION	APPROVER
△	10/26'09	Wire guard solder pin is Changed from Brass to Copper	Aaron
△	11/09'10	Add is " VDE "	Aaron
△			
△			
△			

THIS IS CAD DRAWING, DO NOT REVISE MANUALLY!!!

Material:

- Item 1 Terminal housing:Thermoplastic (UL 94V-0)
- Item 2 Clamp: Brass ,Ni plated
- △ ● Item 3 Wire guard solder pin: Copper ,Tin plated
- Item 4 Terminal screw: Steel Zinc plating"- "slot type

- △ Electrical cULus VDE
- Voltage rating: 300VAC 750V
 - Current rating: 20A 24A
 - Wire range : 0.2-2.5mm²
 - Solid wire(AWG): 12-30
 - Stranded wire(AWG): 12-30
 - Torque(Lb-In): 3.5 0.5 N.m
 - Screw: M3
 - Wire strip length: 6-7mm
 - Withstanding Voltage: 1.6KV 3KV
 - Operating temperature: -40°C to +115°C
 - Soldering temperature: 250°C±10°C/5 Sec
 - Safety Approval:



VJ xx 61 x 3 xxxx G

			RoHS
			Pb<40,000ppm
No. of poles	0 Black (RAL9005)	000:"@ "Logo (Standard)	
04 4 CONTACTS	2 Red (RAL3001/D)	000A:"ANYTEK" Logo	
05 5 CONTACTS	3 Orange(RAL2011/P)	Any special item by	
...	4 Yellow(RAL1018/A)	customer request,	
16 16 CONTACTS	5 Green(RAL6018/T)	please contact sales	
	6 Blue (RAL5015/A)	department.	
	8 Grey(RAL7035/D)		

ANYTEK

CUSTOMER COPY

ALL RIGHTS RESERVED. REPRODUCTION OR ISSUE TO THIRD PARTIES IN ANY FORM WHATSOEVER IS NOT PERMITTED WITHOUT WRITTEN AUTHORITY FROM THE PROPRIETOR. PROPERTY OF ANYTEK TECHNOLOGY CO., LTD

TITLE	VJ-7.62 Series 4P-16P Vertical solid block (90D wire inlet)						
PART NO.	VJxx61x3xxxxG			DWG NO.	8VJ0311		
APPROVED	CHECKED	DESIGNED	DRAWN	CUST NO.			
		Aaron 2010.11.09	Aaron 2009.10.26				Tolerance X. ±0.50 X.X ±0.30 X.XX ±0.10 X* ±1°
				SHEET: 01/01	UNIT: mm	SCALE: NONE	REV.: D