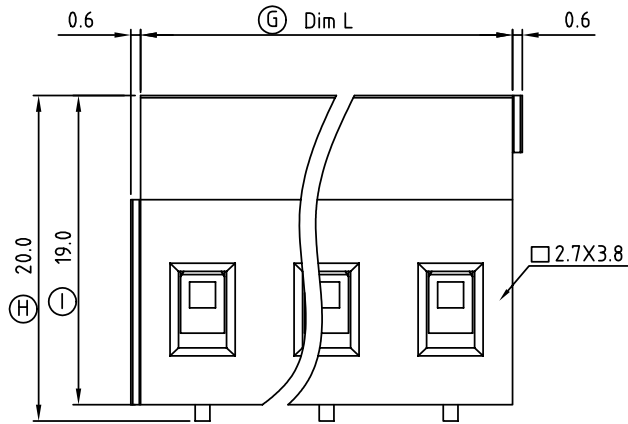


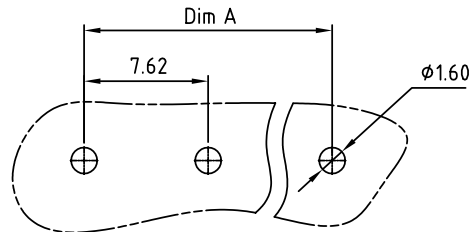
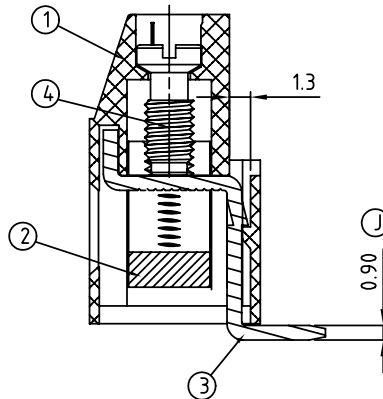
DIMENSION

Dim L	N×7.62	Poles	Tolerance
Dim A	(N-1)×7.62	4p-8p	±0.15
		9p-12p	±0.25
		13p-16p	±0.35

N=Number of contacts



N=Number of contacts



P.C.B LAYOUT

SIGN	DATE	DESCRIPTION	APPROVER
△	10/26'09	Wire guard solder pin is Changed from Brass to Copper	Aaron
△	11/09'10	Add is " VDE "	Aaron
△			
△			
△			

THIS IS CAD DRAWING, DO NOT REVISE MANUALLY!!!

Material:

- Item 1 Terminal housing:Thermoplastic (UL 94V-0)
- Item 2 Clamp: Brass ,Ni plated
- △ ● Item 3 Wire guard solder pin: Copper ,Tin plated
- Item 4 Terminal screw: Steel Zinc plating"- "slot type

- △ Electrical cULus VDE
- Voltage rating: 300VAC 750V
 - Current rating: 20A 24A
 - Wire range : 0.2-2.5mm²
 - Solid wire(AWG): 12-30
 - Stranded wire(AWG): 12-30
 - Torque(Lb-In): 3.5 0.5 N.m
 - Screw: M3
 - Wire strip length: 6-7mm
 - Withstanding Voltage: 1.6KV 3KV
 - Operating temperature: -40°C to +115°C
 - Soldering temperature: 250°C±10°C/5 Sec
 - Safety Approval:



VJ xx 61 x 3 xxxx G

			RoHS
			Pb<40,000ppm
No. of poles	0 Black (RAL9005)	000:"@ "Logo (Standard)	
04 4 CONTACTS	2 Red (RAL3001/D)	000A:"ANYTEK" Logo	
05 5 CONTACTS	3 Orange(RAL2011/P)	Any special item by	
...	4 Yellow(RAL1018/A)	customer request,	
16 16 CONTACTS	5 Green(RAL6018/T)	please contact sales	
	6 Blue (RAL5015/A)	department.	
	8 Grey(RAL7035/D)		

<h1>ANYTEK</h1>		<h2>CUSTOMER COPY</h2>	
ALL RIGHTS RESERVED. REPRODUCTION OR ISSUE TO THIRD PARTIES IN ANY FORM WHATSOEVER IS NOT PERMITTED WITHOUT WRITTEN AUTHORITY FROM THE PROPRIETOR. PROPERTY OF ANYTEK TECHNOLOGY CO., LTD			
TITLE	VJ-7.62 Series 4P-16P Vertical solid block (90D wire inlet)		
PART NO.	VJxx61x3xxxxG	DWG NO.	8VJ0311
APPROVED	CHECKED	DESIGNED	DRAWN
		Aaron 2010.11.09	Aaron 2009.10.26
		CUST NO.	
		UNIT: mm SCALE: NONE SHEET: 01/01 REV.: D	
		Tolerance X. ±0.50 X.X ±0.30 X.XX ±0.10 X* ±1°	