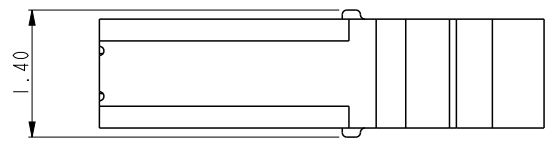
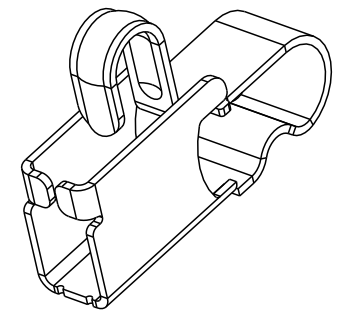
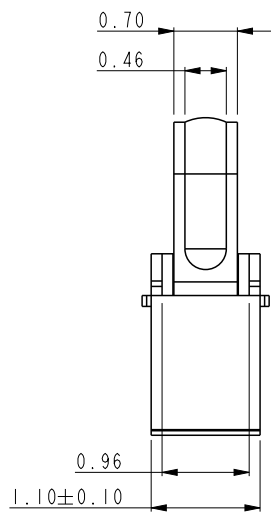
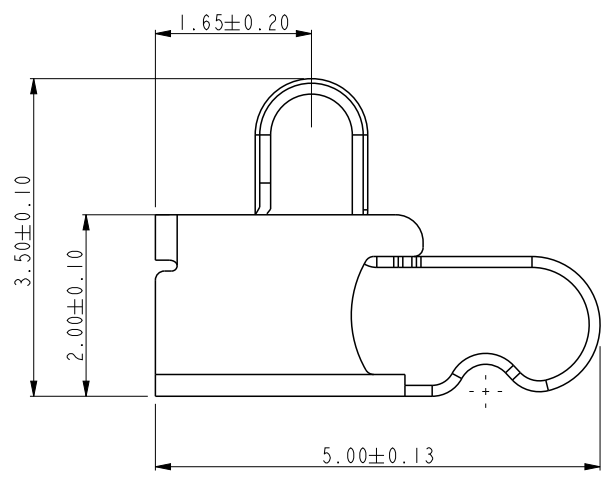




Copyright FCI.

PRODUCT NO.	
FCI	10104321-001RLF 10104321-003RLF 10104321-009RLF



NOTES:  
 1. MATERIAL: BERYLLIUM COPPER ALLOY.  
 2. CONTACT PLATING:  
 CONTACT AREA: PLATING 1um Au OVER 1.0/3.0um Ni UNDERPLATE.  
 or PLATING 0.05 to 0.15um Au OVER 1.0/3.0um Ni UNDERPLATE.  
 or PLATING 1um GXT OVER 1.0/3.0um Ni UNDERPLATE.  
 (1um GXT is 0.025-0.125um Au over 0.875um PdNi)  
 SOLDER AREA : PLATING 0.05 TO 0.15um Au OVER 1.0/3.0um Ni UNDERPLATE.  
 3. PACKAGING: TAPE & REEL  
 4. PART NUMBER DESCRIPTION:  
 10104321-0 0 X X X  
 X : LF: LEAD FREE  
 X : R : TAPE AND REEL  
 CONTACT PLATING:  
 1 : 1um Au over Ni  
 3 : 0.05 to 0.15um Au over Ni  
 9 : 1um GXT over Ni

rev	ecn no	dr	date
A	DG09-0331	NZ	2009-11-10
B	DG11-0048	SM	2011-02-22
C	ELX-DG-011086-1	ANDY	2012-03-27

spec ref	*	dr	Louis Ng	2009/10/06	projection	mm	size	A4	scale	12.000
tolerance std	ASME Y14.5	eng	Andy Lu	2012/03/27			ecn no ELX-DG-011086-1			
TOLERANCES UNLESS OTHERWISE SPECIFIED		chr	Young Ou	2012/03/28			rel level Released			
surface	linear	appr	Pei-Ming Zheng	2012/03/28	product family		-		rev	
ASME Y14.5	0.X			title ANTENNA CONNECTOR UNIVERSAL CONTACT	cat. no. 10104321	Product - Customer Drw	sheet 1 of 1	dwg no 10104321	rev C	
	0.XX								www.fci.com	
	0.XXX								www.fci.com	
angular	0°									

ProE File - REV C - 2009-06-09