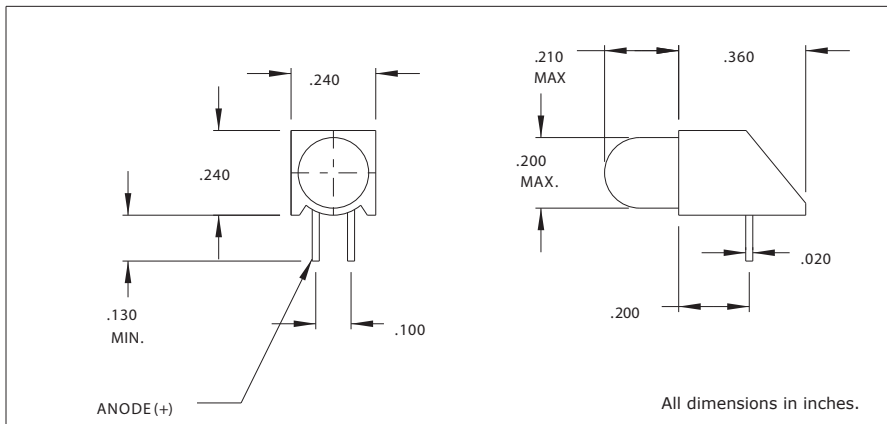


5300H, 5302H and 5308H Series T-1 3/4 Right Angle LED Assembly Description and Features



Features

- Block mounting height and spacing alignment saves assembly cost and time.
- Full range of brightness.
- Available with built-in resistor chip to eliminate the need for external resistor, operates off 5V or 12V supply.
- TTL compatible
- Standoffs prevent flux entrapment.
- RoHS Compliant

Housing: Black Nylon, UL94V-O

Alternate LEDs are also available in this package as a standard variation.

Electro-Optical Characteristics and Ratings

| Part Number | Color | Typ. Intensity (mcd) | Rated Current (mA) | Continuous Forward Current Max. (mA) | Forward Voltage Typ. (V) | Forward Voltage Max. (V) | Peak Forward Current @ 1ms-300pps (A) | Reverse Break-down Voltage Min. (V) | Peak Wavelength (nm) |
|-------------|--------|----------------------|--------------------|--------------------------------------|--------------------------|--------------------------|---------------------------------------|-------------------------------------|----------------------|
| 5300H1 | Red | 6.3 | 10 | 60 | 2.0 | 3.0 | 1.0 | 5 | 650 |
| 5300H3 | Amber | 10 | 10 | 60 | 2.0 | 3.0 | 1.0 | 5 | 608 |
| 5300H5 | Green | 10 | 10 | 60 | 2.2 | 3.0 | .09 | 5 | 563 |
| 5300H6 | Blue | 160 | 20 | 20 | 5.0 | 6.0 | - | 5 | 430 |
| 5300H7 | Yellow | 6.3 | 10 | 60 | 2.1 | 3.0 | 1.0 | 5 | 585 |
| 5308H1 | Red | 68 | 20 | 60 | 2.1 | 3.0 | 1.0 | 5 | 650 |
| 5308H5 | Green | 100 | 20 | 60 | 2.2 | 3.0 | .09 | 5 | 563 |
| 5308H7 | Yellow | 160 | 20 | 60 | 2.2 | 3.0 | 1.0 | 5 | 585 |
| 5300H1LC | Red | 2.3 | 2 | 7 | 1.8 | 2.2 | .007 | 5 | 635 |
| 5300H5LC | Green | 2.3 | 2 | 7 | 1.8 | 2.2 | .007 | 5 | 565 |
| 5300H7LC | Yellow | 2.1 | 2 | 7 | 1.9 | 2.7 | .007 | 5 | 585 |
| 5302H1-5V | Red | 8 | 10 | 15 | 5 | 7.5 | - | 5 | 635 |
| 5302H3-5V | Amber | 10 | 20 | - | 5 | - | - | 5 | 585 |
| 5302H5-5V | Green | 8 | 12 | 15 | 5 | 7.5 | - | 5 | 565 |
| 5302H1-12V | Red | 8 | 12 | 20 | 12.0 | 15.0 | - | 5 | 635 |
| 5302H3-12V | Amber | 8 | 12 | 20 | 12.0 | 15.0 | - | 5 | 583 |
| 5302H5-12V | Green | 8 | 12 | 20 | 12.0 | 15.0 | - | 5 | 565 |